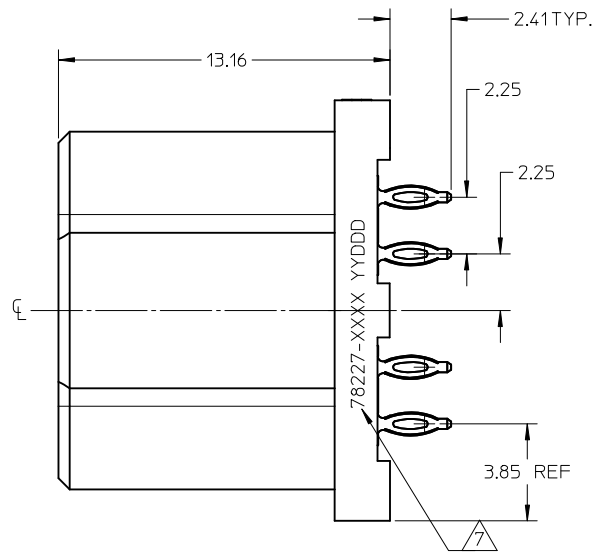
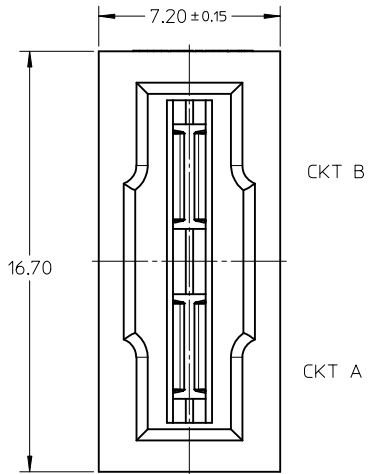
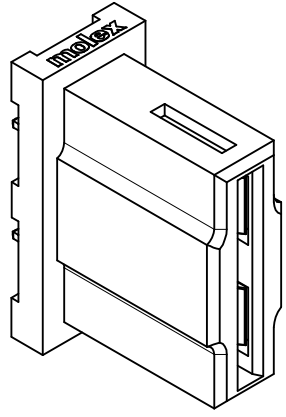
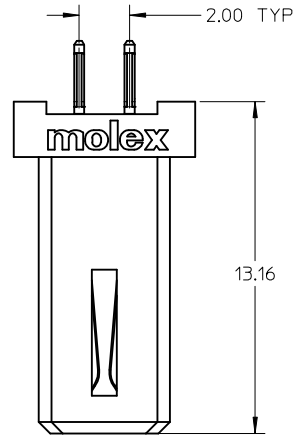


PART NUMBER	PLATING OPTION (NOTE 2)	PACKAGING
78227-1001	TIN PLATING	TRAY
78227-5001	TIN-LEAD PLATING	TRAY



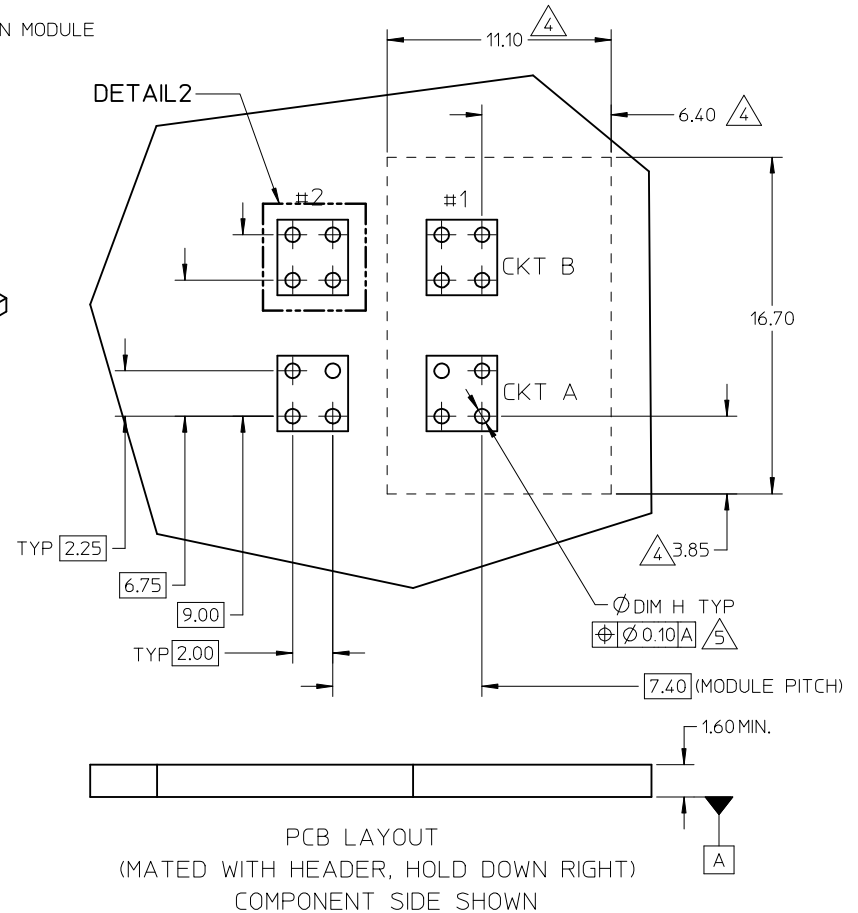
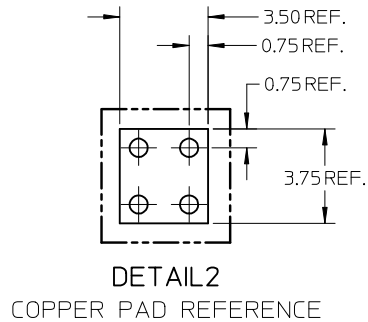
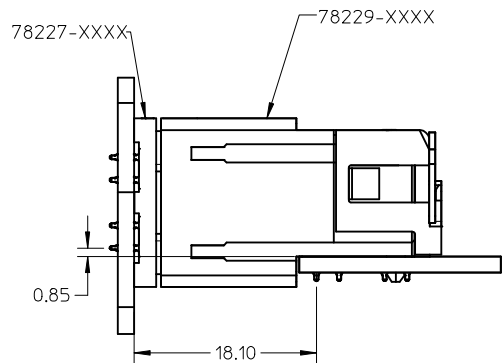
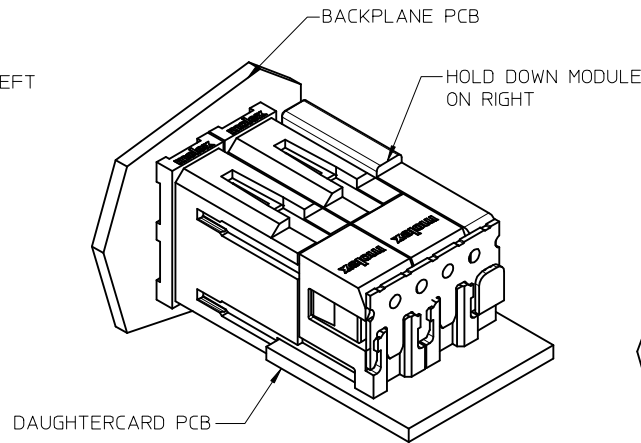
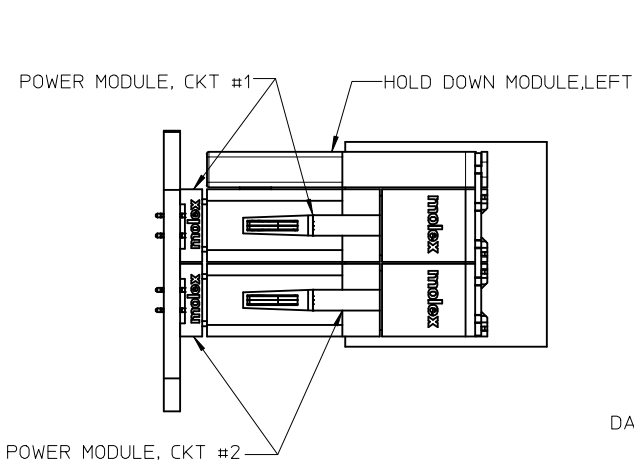
- NOTES:
- MATERIALS :  
HOUSING - LCP, GLASS FILLED, UL94-V0, COLOR: BLACK.  
POWER PIN - COPPER ALLOY
  - FINISHES :  
TIN OPTION - 0.76 MICROMETER MINIMUM GOLD AT CONTACT AREA AND 2.54 MICROMETER MINIMUM TIN AT SOLDER TAIL AREA OVER 1.27um MINIMUM NICKEL UNDERPLATE.  
TIN-LEAD OPTION - 0.76 MICROMETER MINIMUM GOLD AT CONTACT AREA AND 2.54 MICROMETER MINIMUM TIN-LEAD AT SOLDER TAIL AREA OVER 1.27um MINIMUM NICKEL UNDERPLATE.
  - PRODUCT SPECIFICATION: PS-78231-006.  
COMPONENT STAY AWAY ZONE FROM CONNECTOR.  
PCB NOTE FOR PLATED HOLE.

TYPE OF PLATED HOLE	DRILLED HOLE SIZE	PLATING THICKNESS	PLATED HOLE SIZE "Ø DIM H"
TIN/TIN-LEAD	0.838	0.007 MIN TIN/TIN-LEAD/SILVER	0.725±0.075
SILVER	0.863	OVER 0.03 TO 0.08 COPPER PLATING	0.750±0.050

- SEE SHEET 2 OR SHEET 3 FOR RECOMMENDED PCB LAYOUT.
- MATES WITH 78229-\*\*\*\*.  
PART NUMBER AND YY-DDD CODE.
  - ADD 7.4MM FOR EACH ADDITIONAL POWER MODULE.
  - PACKAGING PROCEDURE AS PER PK-78227-001.

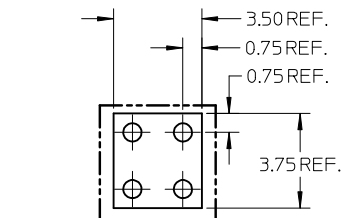
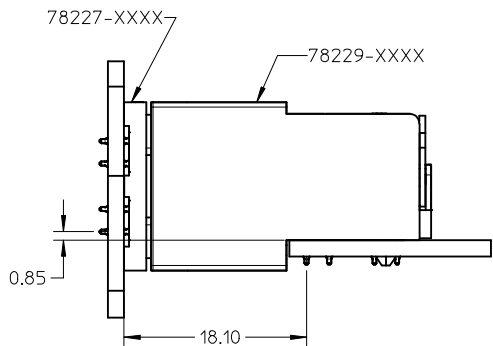
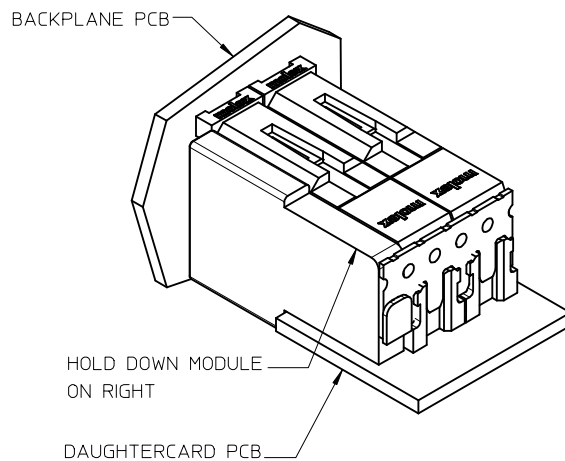
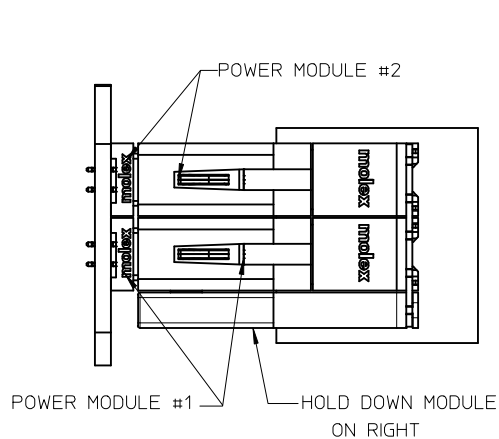
<b>REVISION UPDATE</b> EC NO: S2009-0287 2008/11/27 DRINK:JKOH 2008/11/28 CHYD:ANG 2008/12/02 APPR:SHONG	QUALITY SYMBOLS	GENERAL TOLERANCES (UNLESS SPECIFIED)	DIMENSION STYLE	SCALE	DESIGN UNITS	THIRD ANGLE PROJECTION
	▼=0 □=0	mm INCH 4 PLACES ± --- ± --- 3 PLACES ± --- ± --- 2 PLACES ± 0.25 ± --- 1 PLACE ± --- ± --- ANGULAR ± 3 °	MM ONLY	NTS	METRIC	
	DESCRIPTION	DRAWN BY	DATE	TITLE		
		LNG	2006/08/28	I-TRAC POWER, 7 ROW VERTICAL RECEPTACLE PRESS-FIT		
	CHECKED BY	DATE	MOLEX INCORPORATED			
	APPROVED BY	DATE	SD-78227-001			
	MATERIAL NO.	DATE	DOCUMENT NO.			
		2007/01/24	SHEET NO.			
			1 OF 3			
			SEE TABLE			
			THIS DRAWING CONTAINS INFORMATION THAT IS PROPRIETARY TO MOLEX INCORPORATED AND SHOULD NOT BE USED WITHOUT WRITTEN PERMISSION			

# MATED DIMENSIONS AND PCB LAYOUT WITH HEADER HOLD DOWN LEFT

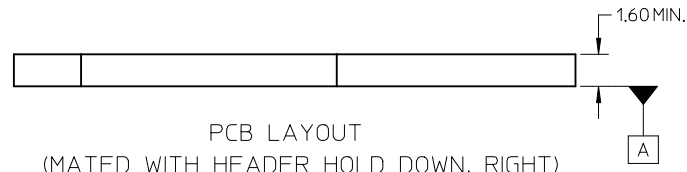
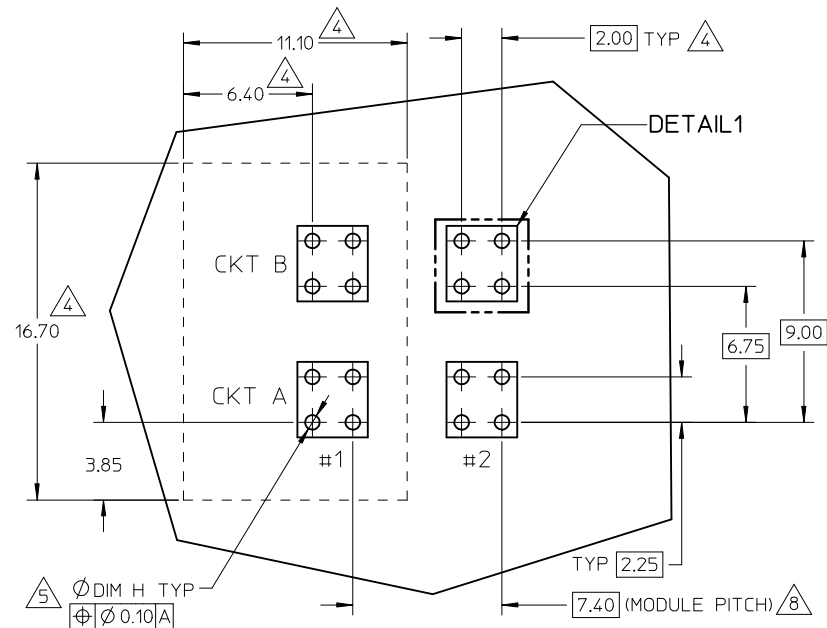


<b>REVISION UPDATE</b> EC NO: S2009-0287 DRWNK:JKOH 2008/11/27 CHKD:ANG 2008/11/28 APPR:SHONG 2008/12/02 B2	QUALITY SYMBOLS ▽=0 ◻=0	GENERAL TOLERANCES (UNLESS SPECIFIED)		DIMENSION STYLE <b>MM ONLY</b>	SCALE NTS	DESIGN UNITS METRIC	THIRD ANGLE PROJECTION	
		4 PLACES ± --- ± ---	3 PLACES ± --- ± ---	2 PLACES ± 0.25 ± ---	1 PLACE ± --- ± ---	DRAWN BY LNG	DATE 2006/08/28	TITLE <b>I-TRAC POWER, 7 ROW VERTICAL RECEPTACLE PRESS-FIT</b>
		ANGULAR ± 3 °				CHECKED BY NRVITTAPALLI	DATE 2007/01/24	MOLEX INCORPORATED
		DRAFT WHERE APPLICABLE MUST REMAIN WITHIN DIMENSIONS				APPROVED BY SHONG	DATE 2007/01/24	MOLEX INCORPORATED
		SEE TABLE		MATERIAL NO.	DOCUMENT NO.	SHEET NO.	2 OF 3	
				THIS DRAWING CONTAINS INFORMATION THAT IS PROPRIETARY TO MOLEX INCORPORATED AND SHOULD NOT BE USED WITHOUT WRITTEN PERMISSION				

# MATED DIMENSIONS AND PCB LAYOUT WITH HEADER HOLD DOWN RIGHT



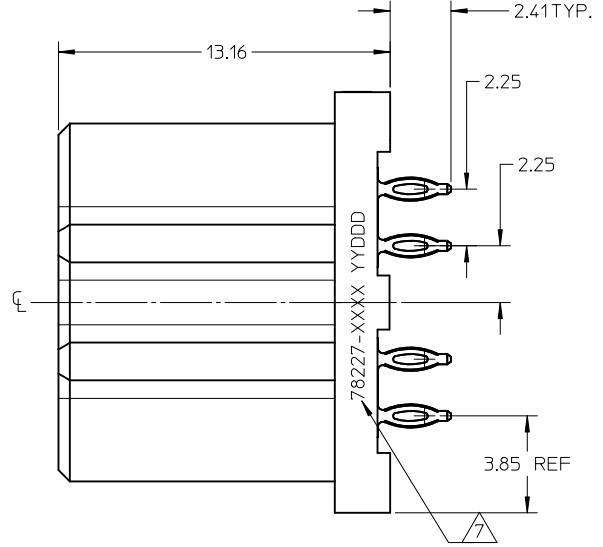
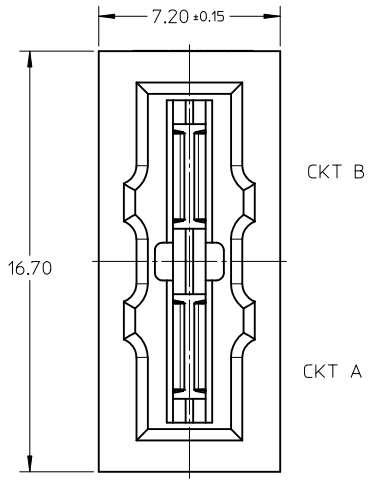
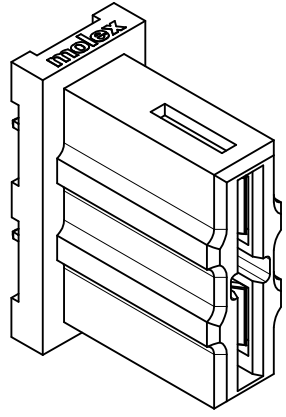
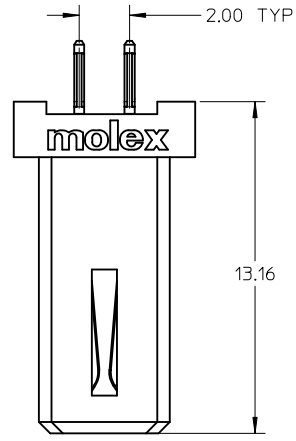
DETAIL1  
COPPER PAD REFERENCE



PCB LAYOUT  
(MATED WITH HEADER HOLD DOWN, RIGHT)  
COMPONENT SIDE SHOWN

<b>REVISION UPDATE</b> EC NO: S2009-0287 DRWNK:JKOH 2008/11/27 CHKD:ANG 2008/11/28 APPR:SHONG 2008/12/02	QUALITY SYMBOLS ▽=0 ◻=0	GENERAL TOLERANCES (UNLESS SPECIFIED)		DIMENSION STYLE <b>MM ONLY</b>	SCALE NTS	DESIGN UNITS METRIC	THIRD ANGLE PROJECTION	
		4 PLACES ± --- ± --- 3 PLACES ± --- ± --- 2 PLACES ± 0.25 ± --- 1 PLACE ± --- ± ---	mm INCH ± --- ± --- ± 0.25 ± --- ± --- ± ---	DRAWN BY LNG	DATE 2006/08/28	TITLE <b>I-TRAC POWER, 7 ROW VERTICAL RECEPTACLE PRESS-FIT</b>		
		ANGULAR ± 3 °	DRAFT WHERE APPLICABLE MUST REMAIN WITHIN DIMENSIONS	CHECKED BY NRVITTAPALLI	DATE 2007/01/24	MOLEX INCORPORATED		
	B2	REV DESCRIPTION	MATERIAL NO. SEE TABLE	DATE 2007/01/24	DOCUMENT NO. SD-78227-001	SHEET NO. 3 OF 3		

PART NUMBER	PLATING OPTION (NOTE 2)	PACKAGING
78227-1001	TIN PLATING	TRAY
78227-5001	TIN-LEAD PLATING	TRAY



NOTES:

- MATERIALS :  
HOUSING - LCP, GLASS FILLED, UL94-V0, COLOR: BLACK.  
POWER PIN - COPPER ALLOY
- FINISHES :  
TIN OPTION - 0.76 MICROMETER MINIMUM GOLD AT CONTACT AREA AND 2.54 MICROMETER MINIMUM TIN AT SOLDER TAIL AREA OVER 1.27um MINIMUM NICKEL UNDERPLATE.  
TIN-LEAD OPTION - 0.76 MICROMETER MINIMUM GOLD AT CONTACT AREA AND 2.54 MICROMETER MINIMUM TIN-LEAD AT SOLDER TAIL AREA OVER 1.27um MINIMUM NICKEL UNDERPLATE.
- PRODUCT SPECIFICATION: PS-78231-006.  
COMPONENT STAY AWAY ZONE FROM CONNECTOR.  
PCB NOTE FOR PLATED HOLE.

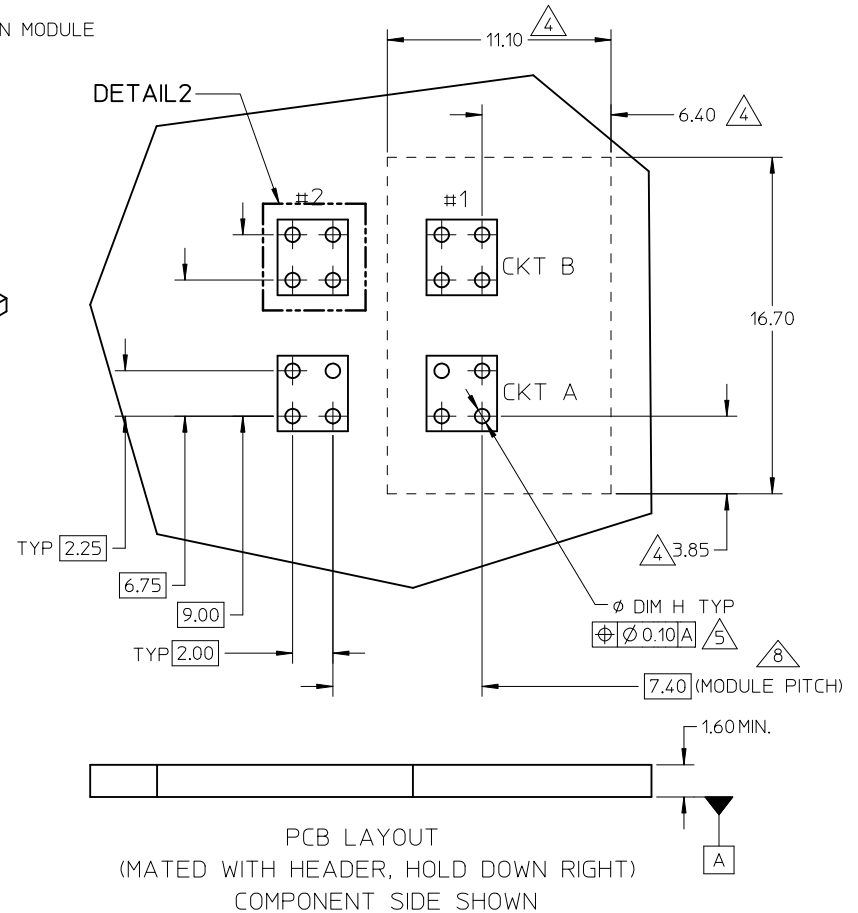
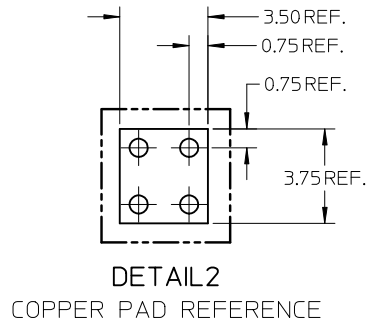
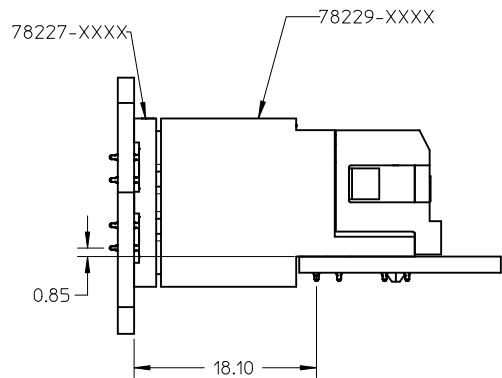
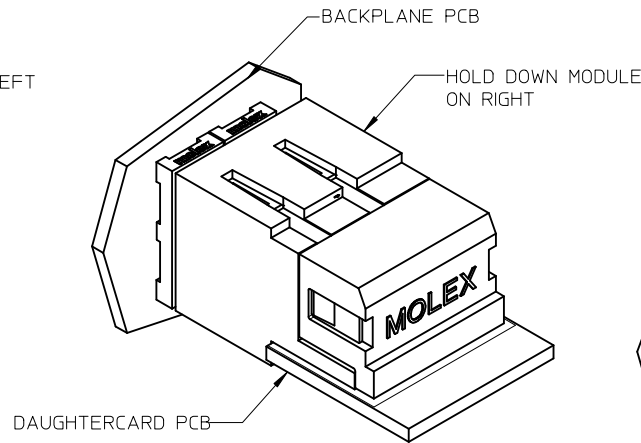
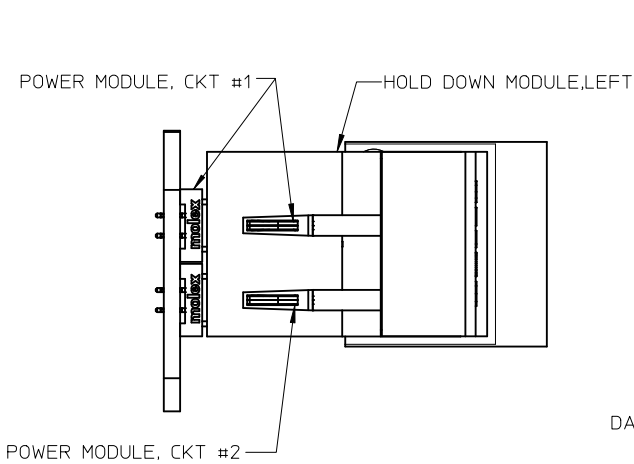
TYPE OF PLATED HOLE	DRILLED HOLE SIZE	PLATING THICKNESS	PLATED HOLE SIZE "ØDIM H"
TIN/TIN-LEAD	0.838	0.007 MIN TIN/TIN-LEAD/SILVER	0.725±0.075
SILVER	0.863	OVER 0.03 TO 0.08 COPPER PLATING	0.750±0.050

SEE SHEET 2 OR SHEET 3 FOR RECOMMENDED PCB LAYOUT.

- MATES WITH 78229-\*\*\*\*.  
PART NUMBER AND YY-DDD CODE.
- ADD 7.4MM FOR EACH ADDITIONAL POWER MODULE.
- PACKAGING PROCEDURE AS PER PK-78227-001.

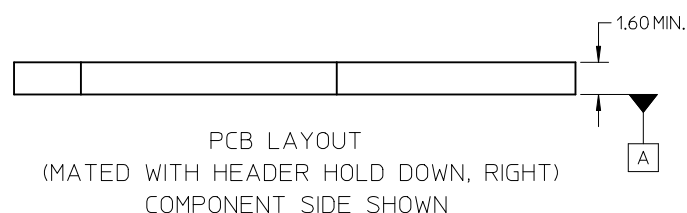
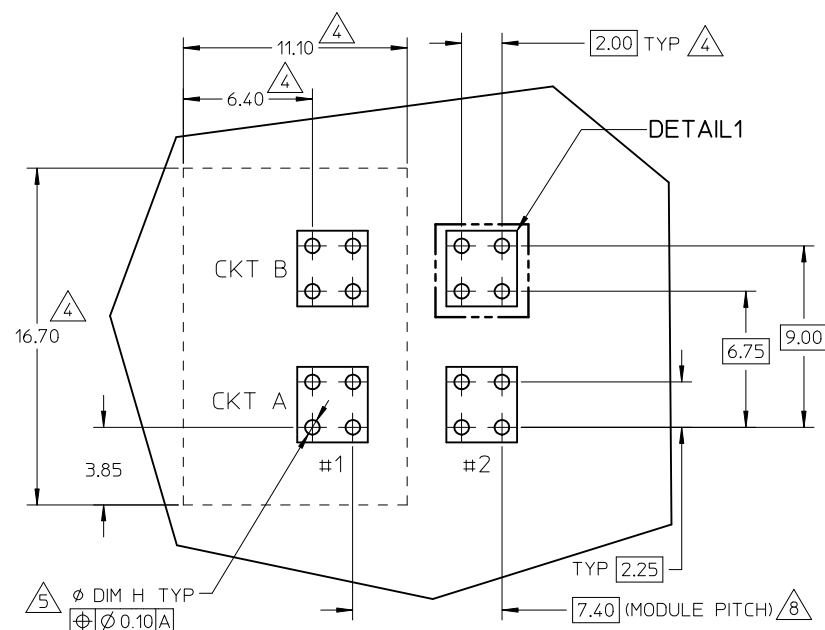
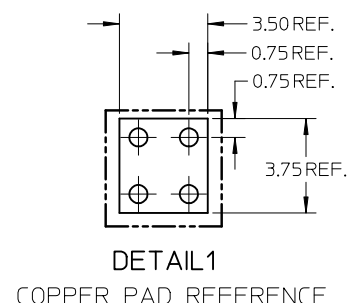
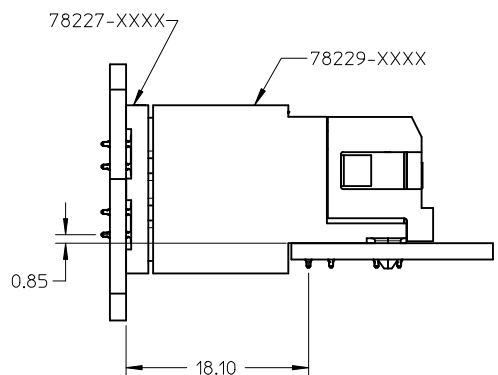
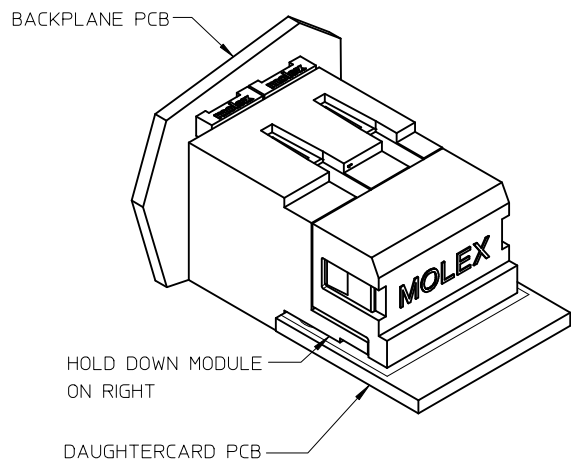
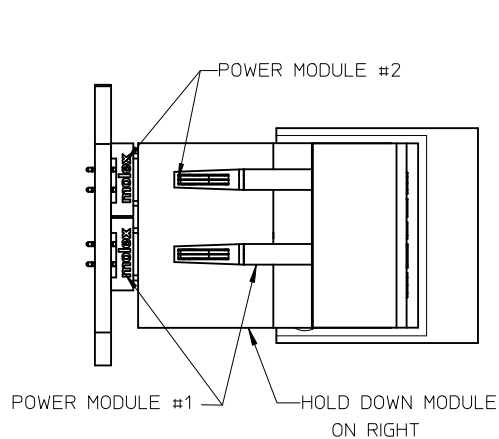
REV CORING DESIGN EC NO: S2012-0428 DRWN: SHONG 2011/11/28 CHKD: LNG 2012/01/06 APPR: NAGESHKIN 2012/01/06	QUALITY SYMBOLS	GENERAL TOLERANCES (UNLESS SPECIFIED)	DIMENSION STYLE	SCALE	DESIGN UNITS	THIRD ANGLE PROJECTION
	▽=0 C=0	mm INCH	MM ONLY	NTS	METRIC	
		4 PLACES ± --- ± ---	DRAWN BY DATE			I-TRAC POWER, 7 ROW VERTICAL RECEPTACLE PRESS-FIT MOLEX INCORPORATED
		3 PLACES ± --- ± ---	LNG 2006/08/28			
	2 PLACES ± 0.25 ± ---	CHECKED BY DATE			MOLEX INCORPORATED SD-78227-011	
	1 PLACE ± --- ± ---	NRVITTPALLI 2007/01/24				
	ANGULAR ± 3 °	APPROVED BY DATE			DOCUMENT NO.	SHEET NO.
		NAGESHKIN 2012/01/06				1 OF 3
		MATERIAL NO.	SEE TABLE			
			SIZE A3	THIS DRAWING CONTAINS INFORMATION THAT IS PROPRIETARY TO MOLEX INCORPORATED AND SHOULD NOT BE USED WITHOUT WRITTEN PERMISSION		

# MATED DIMENSIONS AND PCB LAYOUT WITH HEADER HOLD DOWN LEFT



REV CORING DESIGN EC NO: S2012-0428 DRWN: SHONG 2011/11/28 CHKD: LNG 2012/01/06 APPR: NAGESHKN 2012/01/06	QUALITY SYMBOLS	GENERAL TOLERANCES (UNLESS SPECIFIED)	DIMENSION STYLE	SCALE	DESIGN UNITS	THIRD ANGLE PROJECTION	
	▽=0 ∠=0	mm INCH	MM ONLY	NTS	METRIC		
		4 PLACES ± --- ± --- 3 PLACES ± --- ± --- 2 PLACES ± 0.25 ± --- 1 PLACE ± --- ± ---	DRAWN BY DATE LNG 2006/08/28	TITLE I-TRAC POWER, 7 ROW VERTICAL RECEPTACLE PRESS-FIT			
		ANGULAR ± 3 °	CHECKED BY DATE NRVITPALLI 2007/01/24	MOLEX INCORPORATED			
	DRAFT WHERE APPLICABLE MUST REMAIN WITHIN DIMENSIONS		APPROVED BY DATE NAGESHKN 2012/01/06	DOCUMENT NO. SD-78227-011		SHEET NO. 2 OF 3	
A	REV		SIZE A3	THIS DRAWING CONTAINS INFORMATION THAT IS PROPRIETARY TO MOLEX INCORPORATED AND SHOULD NOT BE USED WITHOUT WRITTEN PERMISSION			

# MATED DIMENSIONS AND PCB LAYOUT WITH HEADER HOLD DOWN RIGHT



REV CORING DESIGN EC NO: S2012-0428 DRWN: SHONG CHYD: LNG APPR: NAGESHKN	2011/11/28 2012/01/06 2012/01/06	DESCRIPTION REV	QUALITY SYMBOLS	GENERAL TOLERANCES (UNLESS SPECIFIED)	DIMENSION STYLE	SCALE	DESIGN UNITS	THIRD ANGLE PROJECTION		
			$\nabla = 0$ $\square = 0$	mm    INCH 4 PLACES ± --- ± --- 3 PLACES ± --- ± --- 2 PLACES ± 0.25 ± --- 1 PLACE ± --- ± --- ANGULAR ± 3 °	MM ONLY	NTS	METRIC	DRAWN BY: LNG    DATE: 2006/08/28 CHECKED BY: NRVITTAPALLI    DATE: 2007/01/24 APPROVED BY: NAGESHKN    DATE: 2012/01/06	TITLE	I-TRAC POWER, 7 ROW VERTICAL RECEPTACLE PRESS-FIT MOLEX INCORPORATED
			DRAFT WHERE APPLICABLE MUST REMAIN WITHIN DIMENSIONS	SEE TABLE	DOCUMENT NO.	SHEET NO.				
			A	A3	THIS DRAWING CONTAINS INFORMATION THAT IS PROPRIETARY TO MOLEX INCORPORATED AND SHOULD NOT BE USED WITHOUT WRITTEN PERMISSION					