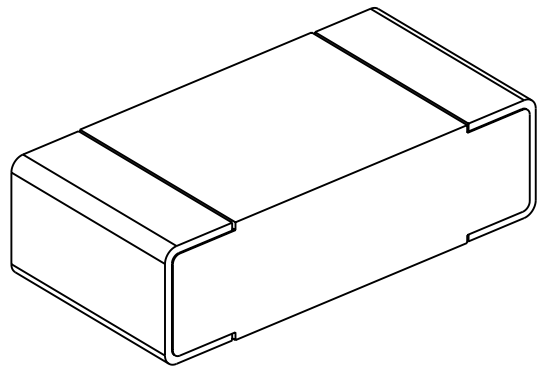
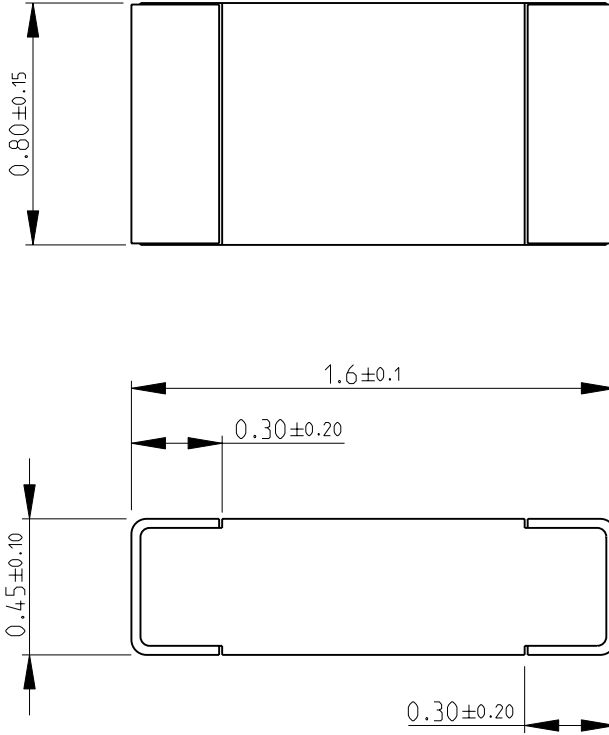


|     |      |           |     |             |           |     |      |
|-----|------|-----------|-----|-------------|-----------|-----|------|
| LOC | DIST | REVISIONS |     |             |           |     |      |
| E   | B    | P         | LTR | DESCRIPTION | DATE      | DWN | APVD |
|     |      |           | BA  | NEW RELEASE | 04-NOV-08 | SM  | St.P |

FOR FURTHER INFORMATION SEE DATA SHEET FOR  
CRG SERIES-THICK FILM CHIP RESISTORS



RoHS Compliant

2008

RELEASED FOR PUBLICATION

THIS DRAWING IS UNPUBLISHED.

BY TYCO ELECTRONICS CORPORATION. ALL RIGHTS RESERVED.



|  |                  |           |  |           |            |               |
|--|------------------|-----------|--|-----------|------------|---------------|
| DIMENSIONS:<br>mm                      | DWN              | 04-NOV-08 | MATERIAL   | -         | FINISH     | -             |
|  | CHK              | 04-NOV-08 | Tyco Electronics Corporation<br>Dorcan, Swindon, SN3 5HH |           |            |               |
| TOLERANCES UNLESS OTHERWISE SPECIFIED: | APVD             | 04-NOV-08 |  |           |            |               |
| 0 PLC ±0.5                             | PRODUCT SPEC     | -         | NAME<br>THICK FILM CHIP RESISTORS<br>SERIES CRG 0603     |           |            |               |
| 1 PLC ±0.2                             | APPLICATION SPEC | -         |  |           |            |               |
| 2 PLC ±0.1                             | WEIGHT           | -         | SIZE   | CAGE CODE | DRAWING NO | RESTRICTED TO |
| 3 PLC ±-                               |                  |           | A 4  | 00779     | ©- 1622903 | -             |
| 4 PLC ±-                               |                  |           | CUSTOMER DRAWING   |           |            |               |
| ANGLES ±5°                             |                  |           | SCALE  | SHEET     | OF         | REV           |
|  |                  |           | 40:1   | 1         | 1          | BA            |