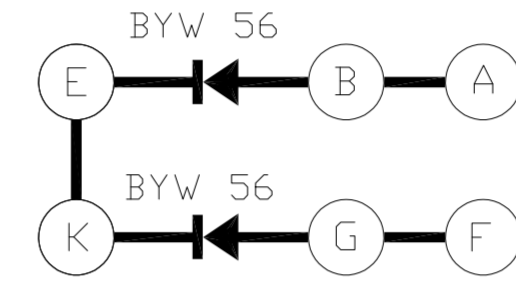
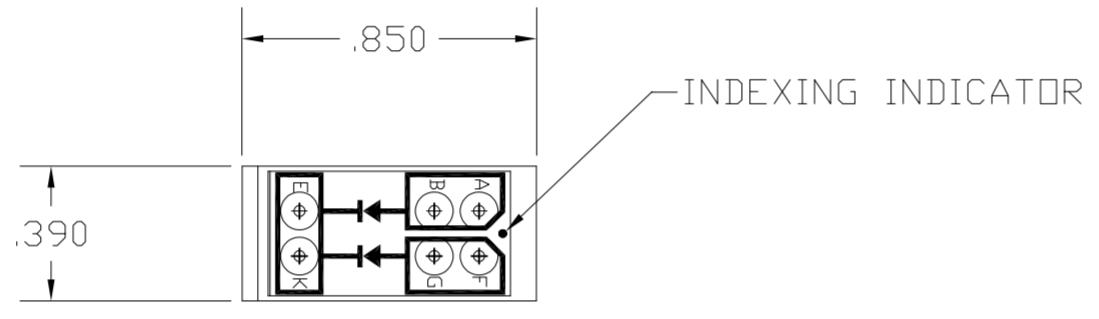


THIS DRAWING IS UNPUBLISHED.		RELEASED FOR PUBLICATION
© COPYRIGHT BY TYCO ELECTRONICS CORPORATION. ALL INTERNATIONAL RIGHTS RESERVED.		
DESCRIPTION	MATERIAL	FINISH
MODULE ASSEMBLY	EPOXY THERMOSET	COLOR: BLACK
GROMMET	FLUORSILICONE RUBBER PER MIL-T-81714, CLASS B	COLOR: NATURAL
CONTACT SOCKET	BERYLLIUM COPPER PER QQ-C-533	GOLD PLATE PER MIL-G-45204
RETAINING CLIP	BERYLLIUM COPPER PER QQ-C-533 OR STAINLESS STEEL PER QQ-S-766	NONE
DIODES	BYW 56 2 AMP, 1000 PIV	- -

LDC		DIST		REVISIONS			
DF	AO	P	LTR	DESCRIPTION	DATE	DWN	APVD
		A		REV PER ECO-08-031450	10MAR09	PY	DE



SCHEMATIC
SCALE 4:1



1 MARK MODULE ASSEMBLY WITH "AMP", AMP PART NO. AND DATE CODE .060 MINIMUM HIGH CHARACTERS AT APPROXIMATE AREA SHOWN.

FAR SIDE

2. PIN CONTACTS, SEALING PLUGS AND TOOLS NOT SUPPLIED MUST ORDER SEPARATELY.

ITEMS	AMP P/N	MILITARY P/N
PIN CONTACTS	2-592404-1	M39021/1-101
SEALING PLUGS	592104-1	MS27488-20
TOOLS	592105-1	M81969/14-11

3. MODULE MEETS APPLICABLE REQUIREMENTS OF MIL-T-81714 CLASS "B". ENVIRONMENTS CREATED BY OPERATION OF INTERNAL ELECTRIC COMPONENTS WHICH EXCEED THE MODULE RATED PERFORMANCE IS THE RESPONSIBILITY OF THE USER. THE ELECTRONIC COMPONENT SPECIFICATION SHOULD BE CONSULTED.

591818-1
PART NO.

THIS DRAWING IS A CONTROLLED DOCUMENT.		DWN J. BAKER 12-16-96	Tyco Electronics Corporation Harrisburg, PA 17105-3608	
DIMENSIONS: INCHES		CHK D. MILLER 12-17-96	NAME -	
TOLERANCES UNLESS OTHERWISE SPECIFIED:		APVD D. MILLER 12-17-96	PRODUCT SPEC -	
0 PLC ± -		APPLICATION SPEC -		
1 PLC ± -		SIZE A2		
2 PLC ± -		CAGE CODE 00779		
3 PLC ± .010		DRAWING NO C-591818		
4 PLC ± -		RESTRICTED TO -		
ANGLES ± -		SCALE 2:1		
FINISH		SHEET 1 of 1		
MATERIAL		REV A		
-		CUSTOMER DRAWING		