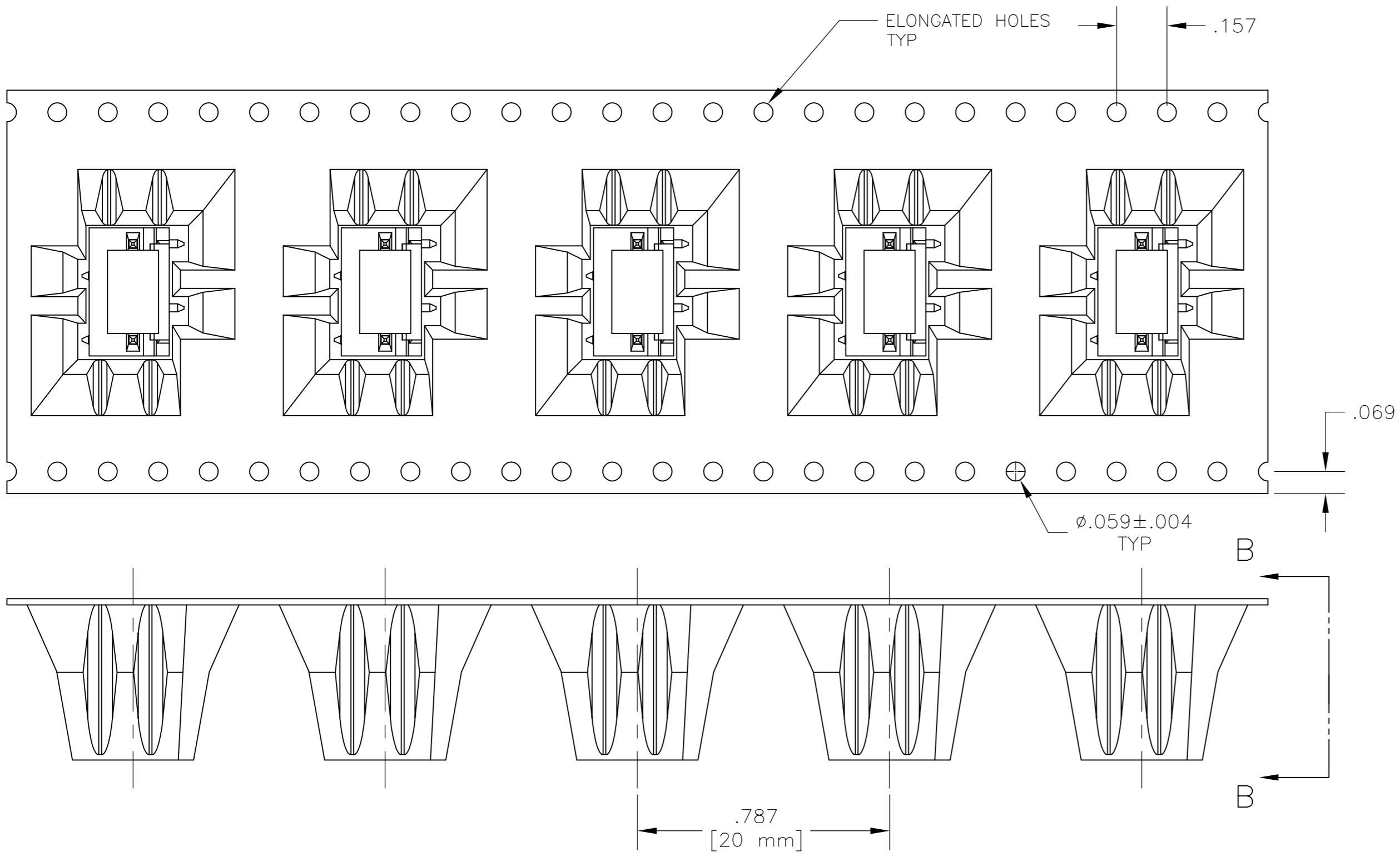
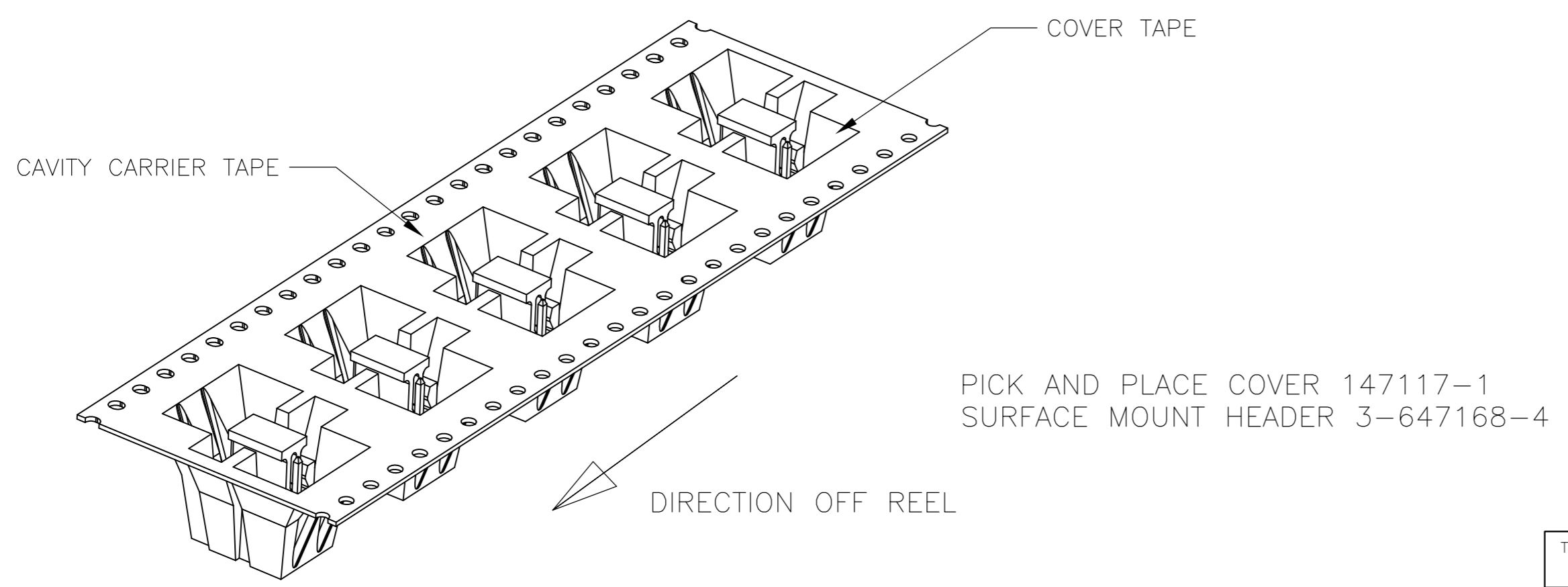
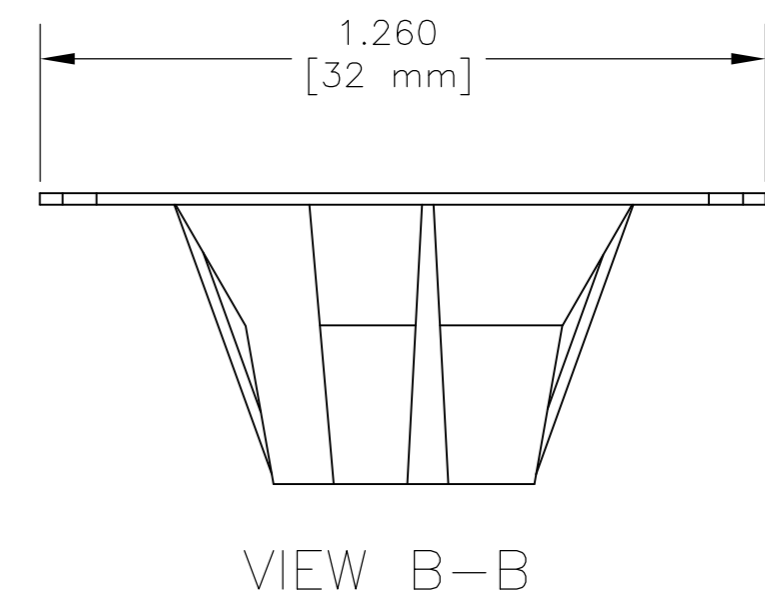


THIS DRAWING IS UNPUBLISHED. RELEASED FOR PUBLICATION  
 © COPYRIGHT - By - ALL RIGHTS RESERVED.

Loc		DIST		REVISIONS			
P	LTR	DESCRIPTION	DATE	DWN	APVD		
AF	-	D1	REVISED PER ECO-15-004815	17APR2015	NK	PQ	



- 1 MATERIAL:  
HOUSING- NYLON, UL94V-0, BLACK  
CONTACT- COPPER ALLOY  
CAVITY CARRIER TAPE- BLACK CONDUCTIVE PLYCARBONATE
- 2 FINISH:  
CONTACT - TIN PLATE
- 3 POST TO WITHSTAND 13 NEWTONS [ 3 LBS ] MIN AXIAL FORCE IN THIS DIRECTION WITHOUT DISLODGING, BEFORE SOLDERING.
- 4 POSTS SOLDERTAILS MUST COMPLY WITH TE SOLDERABILITY SPEC 109-11-2.
- 5 MEASURED AT [-A-]
- 6 APPLIES WHEN HEADER IS HELD STRAIGHT
- 7 COORDINATE DIM APPLIES FROM CENTER OF ACTUAL FEATURE.
- 8 DIMENSION APPLY TO THE COMPONENT SIDE OF BOARD
- 9 MAX TEMP EXPOSURE DURING REFLOW SOLDERING MAY NOT EXCEED 280°C [ 536°F].
- 10 HEADERS ARE SUPPLIED ON A 330.2mm [13] DIAMETER REEL WITH 225 PARTS PER REEL. THE CAVITY CARRIER TAPE HOLDS 1 PART PER POCKET, ORIENTED AS SHOWN.
- 11 TE LOGO, UL AND CSA TRADEMARKS MARKED AT THIS LOCATION

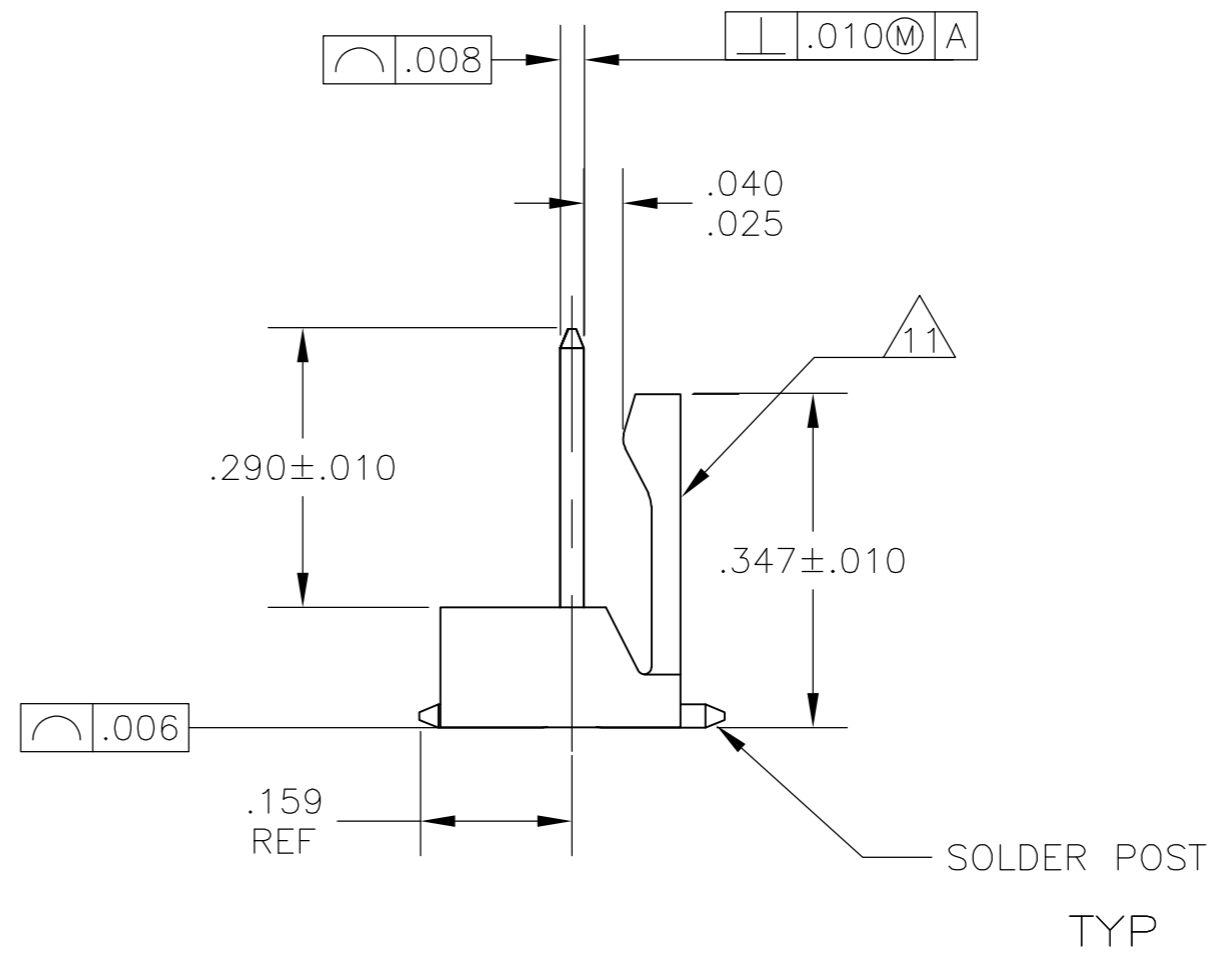
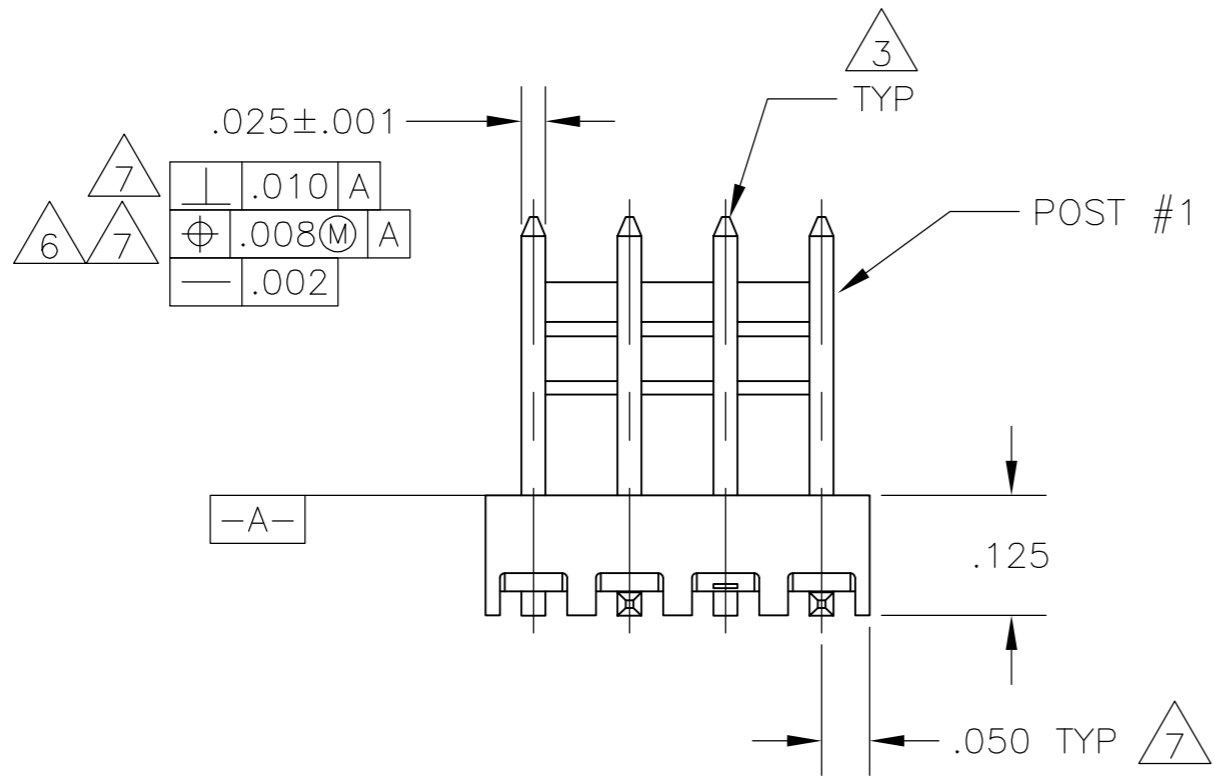
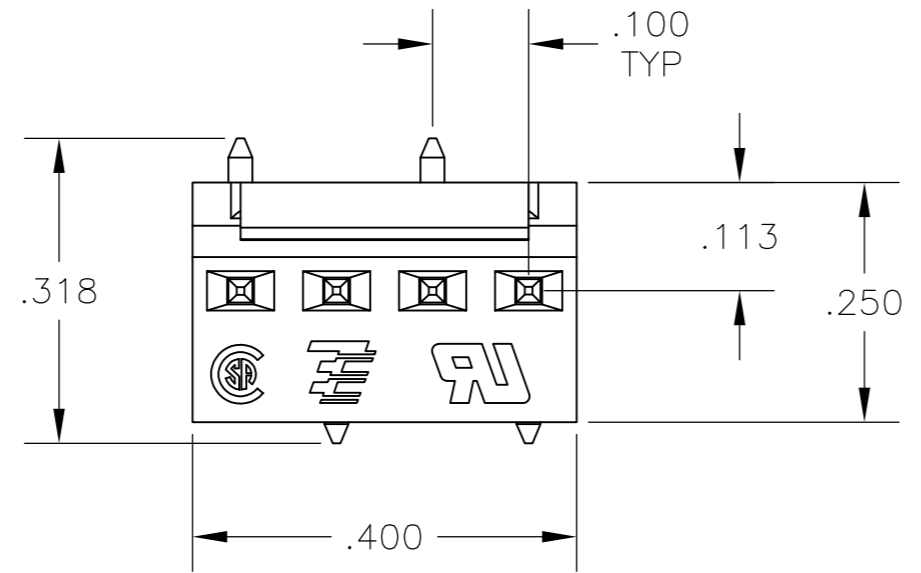


1 REQ'D	1 REQ'D	4	3-1744400-4
PICK AND PLACE COVER	HEADER ASSEMBLY	NO. OF POSITIONS	PART NO

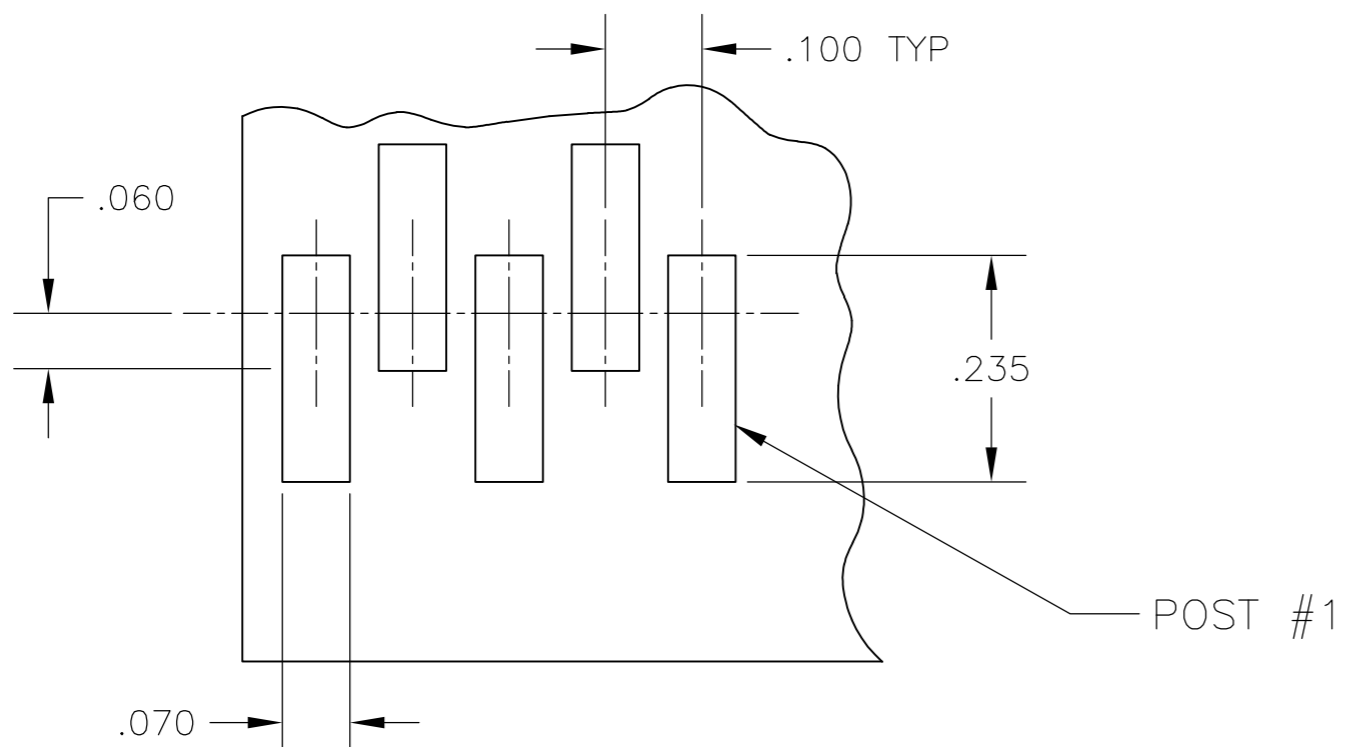
THIS DRAWING IS A CONTROLLED DOCUMENT.		DWN jr ruth 08JUN11	TE Connectivity	
DIMENSIONS: INCHES		CHK SAM MACE 08JUN11	NAME MTA-100 HEADER ASSY, SURFACE MOUNT, FRICTION LOCK, .025 SQ. POST, 030 GOLD PLATED, TAPE LOADED W/CAP	
TOLERANCES UNLESS OTHERWISE SPECIFIED: 0 PLC ± - 1 PLC ± - 2 PLC ± - 3 PLC ± .005 4 PLC ± - ANGLES ± 1°		APVD SAM MACE 08JUN11	SIZE A2	
MATERIAL		PRODUCT SPEC	CAGE CODE 00779	DRAWING NO 1744400
FINISH		APPLICATION SPEC	RESTRICTED TO	
		WEIGHT	SCALE 3:1	SHEET 1 of 3
		CUSTOMER DRAWING	REV D1	

THIS DRAWING IS UNPUBLISHED. RELEASED FOR PUBLICATION  
 © COPYRIGHT - By - ALL RIGHTS RESERVED.

LOC	DIST	REVISIONS			
P	LTR	DESCRIPTION	DATE	DWN	APVD
AF	-	SEE SHEET 1	-	-	-



MTA-100 HEADER SHOWN

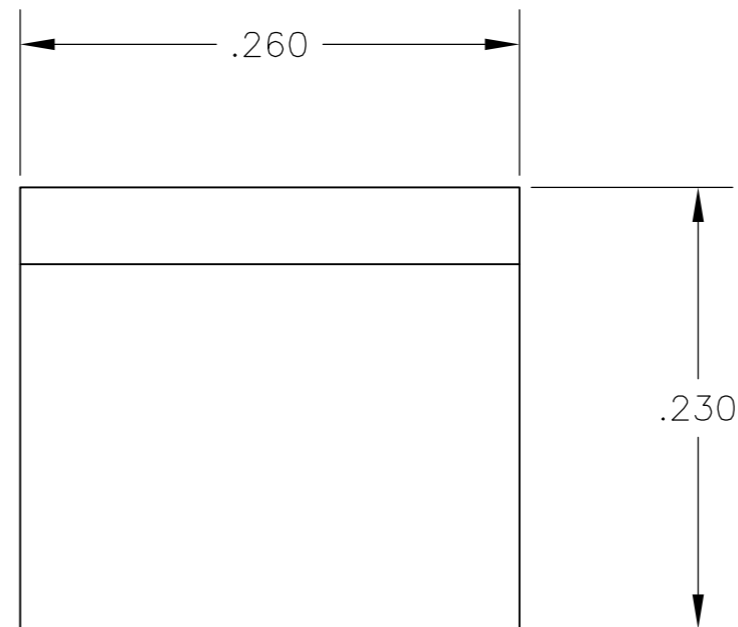
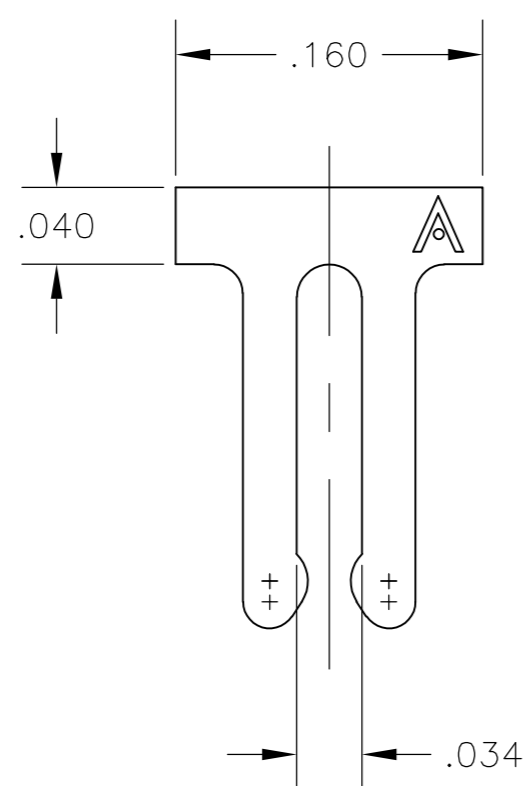


RECOMMENDED P.C. BOARD LAYOUT FOR USE WITH .010 THICK STENCIL

THIS DRAWING IS A CONTROLLED DOCUMENT.		DWN jr ruth 08JUN11	
DIMENSIONS: INCHES		CHK SAM MACE 08JUN11	
TOLERANCES UNLESS OTHERWISE SPECIFIED:		APVD SAM MACE 08JUN11	NAME MTA-100 HEADER ASSY, SURFACE MOUNT, FRICTION LOCK, .025 SQ. POST, 030 GOLD PLATED, TAPE LOADED W/CAP
0 PLC ± -	1 PLC ± -	PRODUCT SPEC	SIZE A2
2 PLC ± -	3 PLC ± .005	APPLICATION SPEC	CAGE CODE 00779
4 PLC ± -	ANGLES ± 1°	WEIGHT	DRAWING NO C=1744400
MATERIAL	FINISH	CUSTOMER DRAWING	RESTRICTED TO
		SCALE 5:1	SHEET 2 of 3
			REV D1

THIS DRAWING IS UNPUBLISHED. RELEASED FOR PUBLICATION  
 © COPYRIGHT - By - ALL RIGHTS RESERVED.

LOC	DIST	REVISIONS					
AF	-	P	LTR	DESCRIPTION	DATE	DWN	APVD
		-	-	SEE SHEET 1	-	-	-



CAP FOR HEADER

1744400

THIS DRAWING IS A CONTROLLED DOCUMENT.		DWN	jr ruth	08JUN11		TE Connectivity		
DIMENSIONS: INCHES		CHK	SAM MACE	08JUN11		NAME		
TOLERANCES UNLESS OTHERWISE SPECIFIED:		APVD	SAM MACE	08JUN11		MTA-100 HEADER ASSY, SURFACE MOUNT, FRICTION LOCK, .025 SQ. POST, 030 GOLD PLATED, TAPE LOADED W/CAP		
0 PLC ± - 1 PLC ± - 2 PLC ± - 3 PLC ± .005 4 PLC ± - ANGLES ± 1°		PRODUCT SPEC	-			SIZE	CAGE CODE	DRAWING NO
MATERIAL		WEIGHT	-		A2	00779	C=1744400	
FINISH		-		SCALE		10:1	SHEET	3 of 3
-		CUSTOMER DRAWING		REV		D1	RESTRICTED TO	