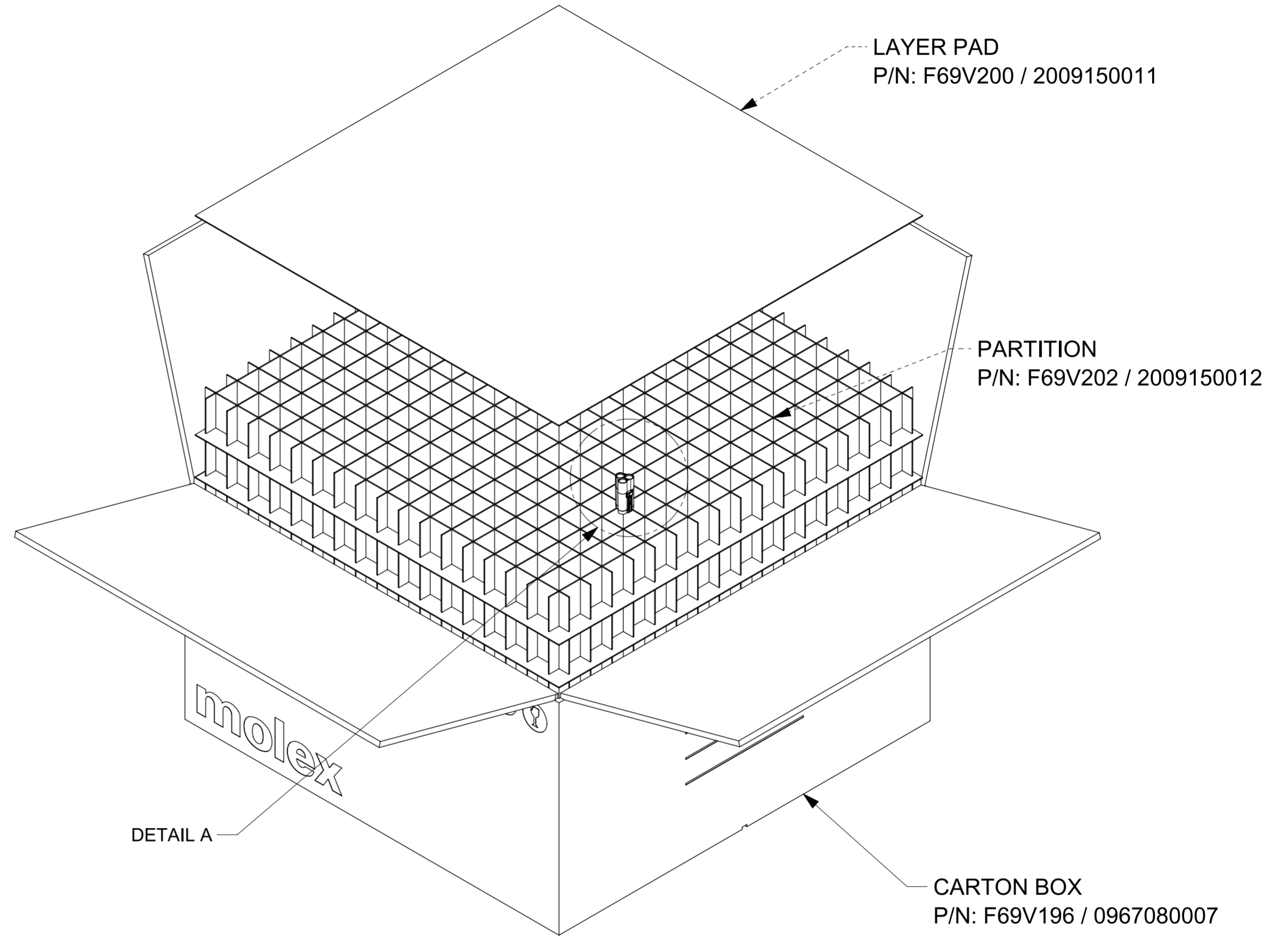
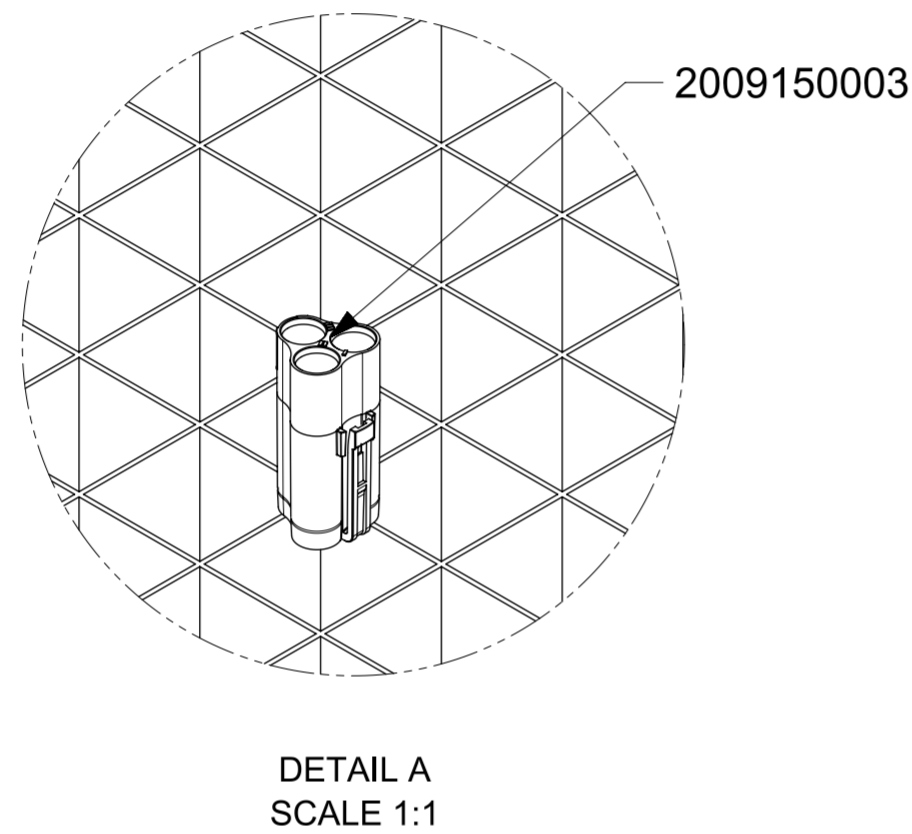


PART NUMBER	DESCRIPTION	PARTS/CELL	PARTS/PARTITION	SPQ	PARTION No.	QTY	PAD No.	QTY
2009150003	RECEPTACLE HOUSING	1	256 pcs	1536 pcs	F69V200 / 2009150012	6 nos	F69V202 / 2009150011	7 nos



NOTES:

1. MAKE SURE PROPER PROTECTION ON HOUSING
2. INSERT ONE LAYER OF PAD IN CARTON.
3. INSERT ONE PARTITION ASSEMBLY INTO THE CARTON.
4. PLACE ONE HOUSING PER CELL.
5. REPEAT STEPS 2-4 FILLING IN CARTON TO 6 NUMBER OF LAYERS
6. INSERT ONE LAYER PAD ON TOP LAYER.
7. SEAL THE CARTON BOX WITH 3" TAPE
8. BAR CODE LABELING AS PER ES-4000-7012
9. PACKAGING QUANTITY DETAILS ARE PROVIDED IN THE TABULAR COLUMN
10. ONE SPQ IN ONE BOX
11. PART NUMBER IMAGES ILLUSTRATION PURPOSE ONLY, REFER CORRESPONDING PART DRAWING FOR PRECISE DETAILS

THIS DRAWING CONTAINS INFORMATION THAT IS PROPRIETARY TO MOLEX ELECTRONIC TECHNOLOGIES, LLC AND SHOULD NOT BE USED WITHOUT WRITTEN PERMISSION											
QUALITY SYMBOLS	PRODUCTION RELEASE			GENERAL TOLERANCES (UNLESS SPECIFIED)		DIMENSION UNITS	SCALE				
▽ = 0	EC NO: 112212	DRWN: MRAMAKRISHNA	CHKD: MRAMAKRISHNA	APPR: ISHWARG	2016/12/27	MM	NTS				
▽ = 0	DRAFT WHERE APPLICABLE MUST REMAIN WITHIN DIMENSIONS			ANGULAR TOL ± 0.5 °		MRAMAKRISHNA 2015/12/23		PACKAGING SPECIFICATION FOR RECEPTACLE HOUSINGS MULTICAT WTW SYSTEM			
▽ = 0				4 PLACES ±		CHK'D BY DATE		PACKAGING DESIGN DRAWING			
▽ = 0				3 PLACES ±		APPR BY DATE		SERIES MATERIAL NUMBER CUSTOMER			
▽ = 0				2 PLACES ± 0.13		ISHWARG 2016/12/13		200915 SEE TABLE GENERAL MARKET			
▽ = 0				1 PLACE ± 0.25		DRAWING SIZE THIRD ANGLE PROJECTION		DOCUMENT NUMBER DOC TYPE DOC PART SHEET NUMBER			
▽ = 0				0 PLACES ±		A2		2009150003 PDD PK 1 OF 1			
▽ = 0											