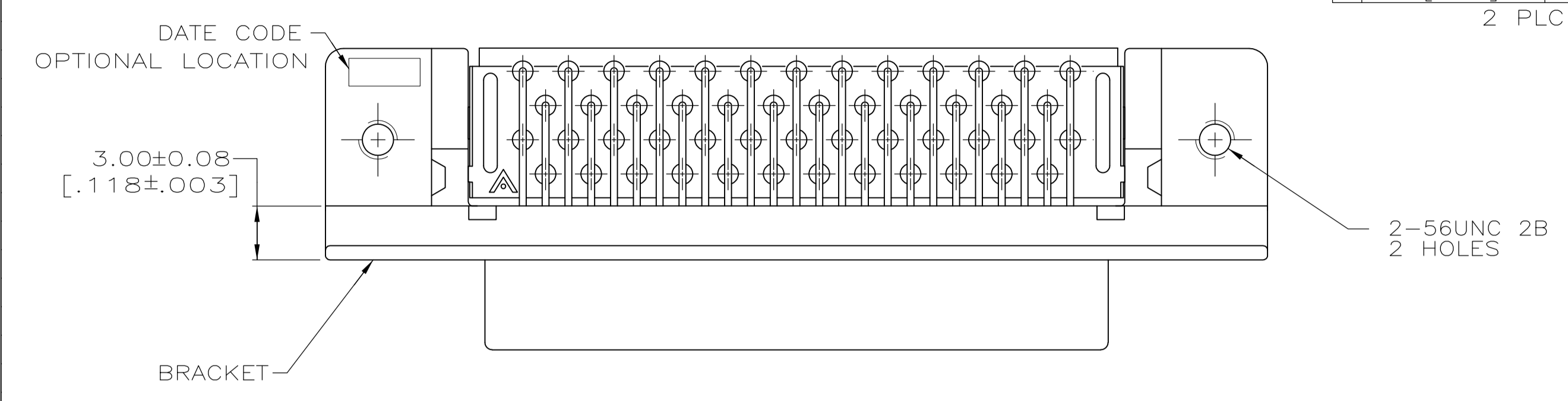
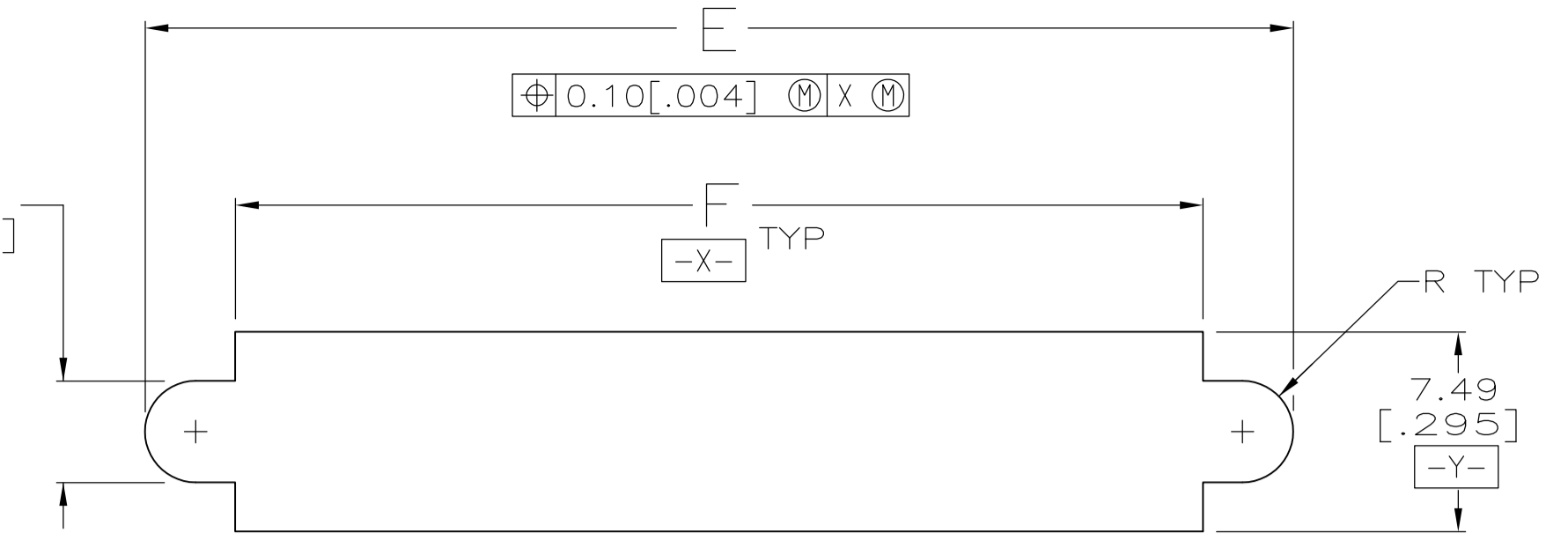


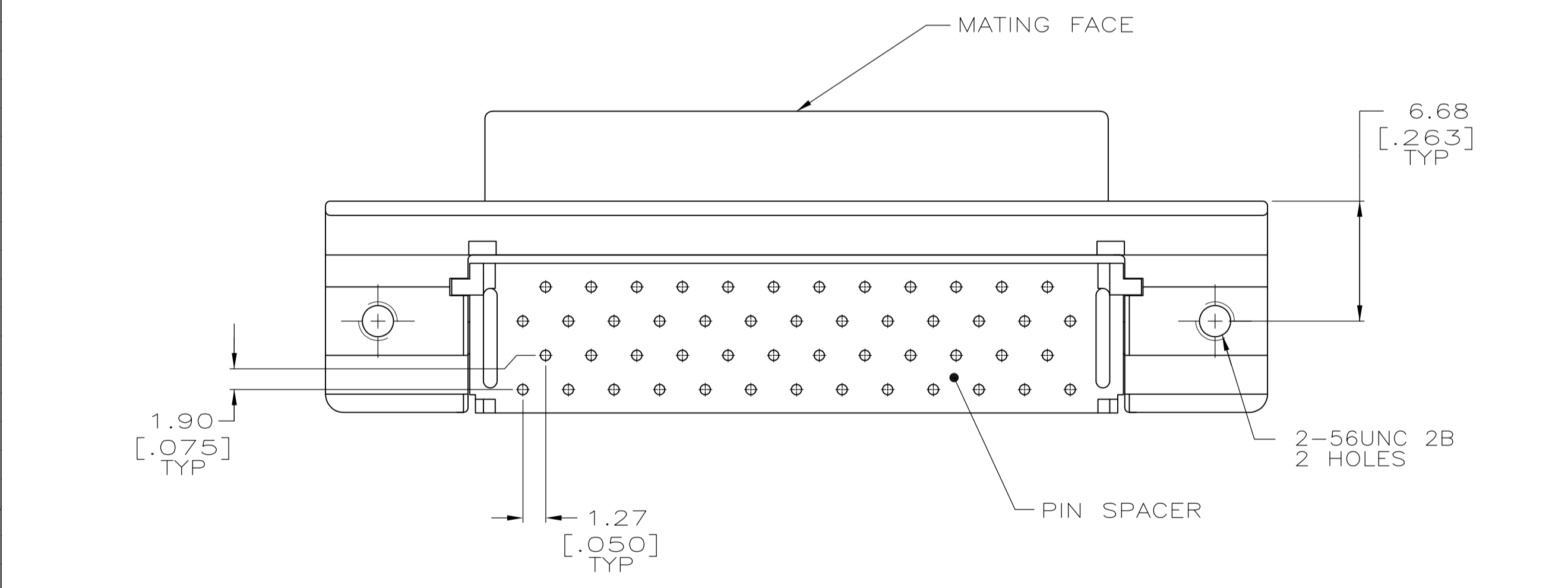
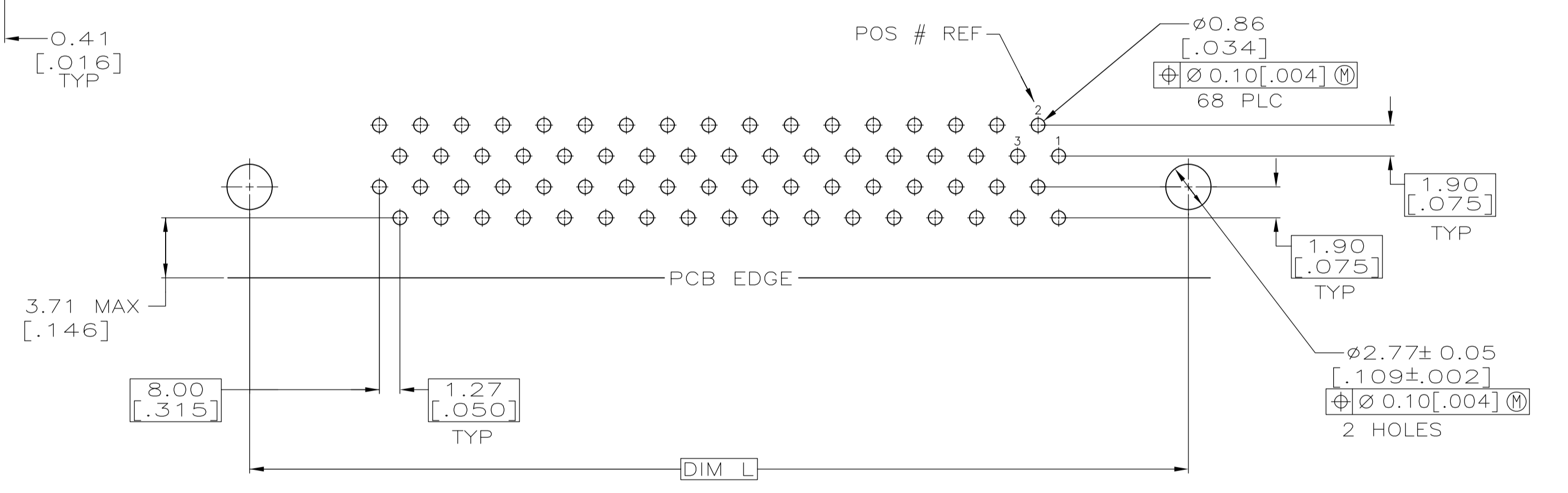
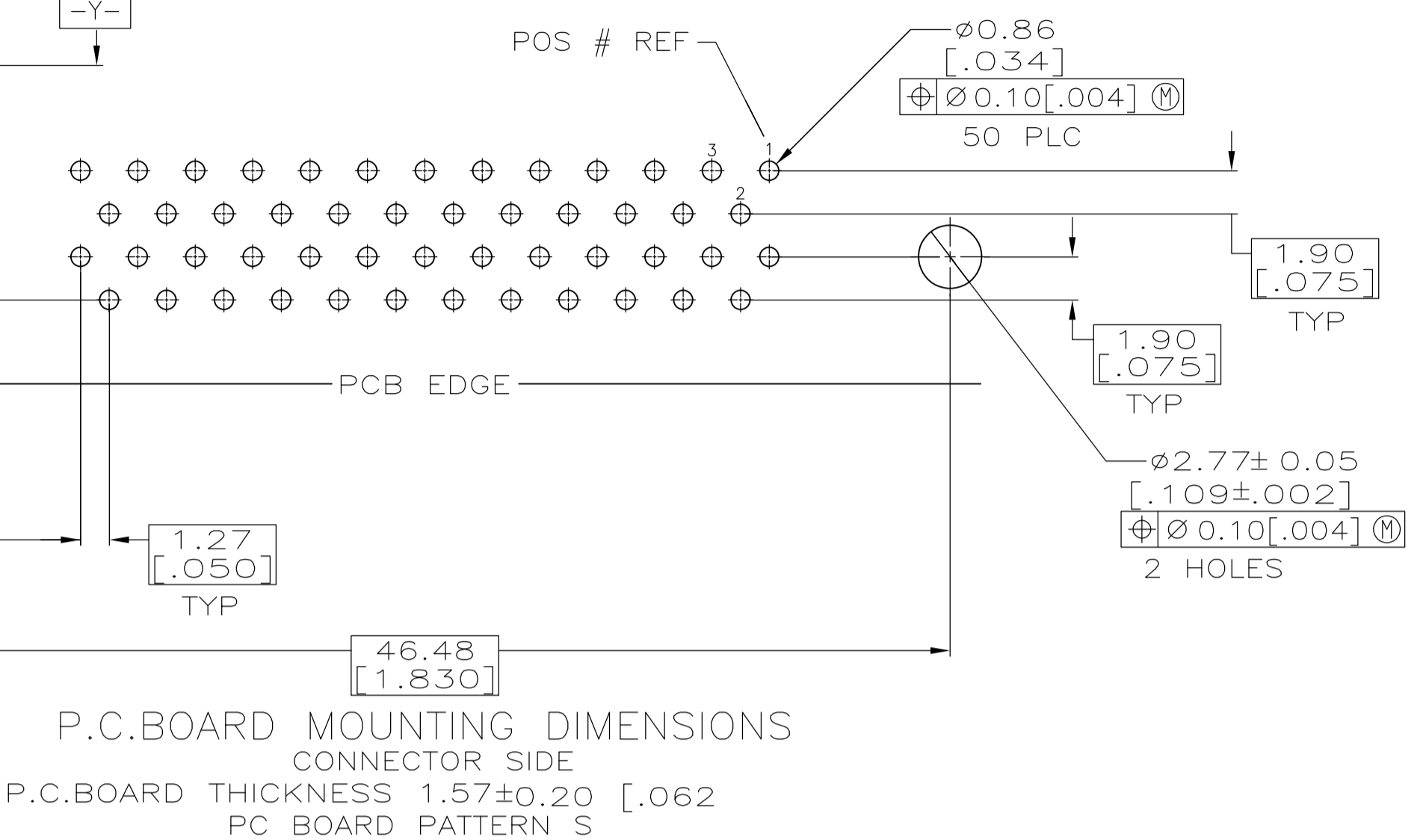
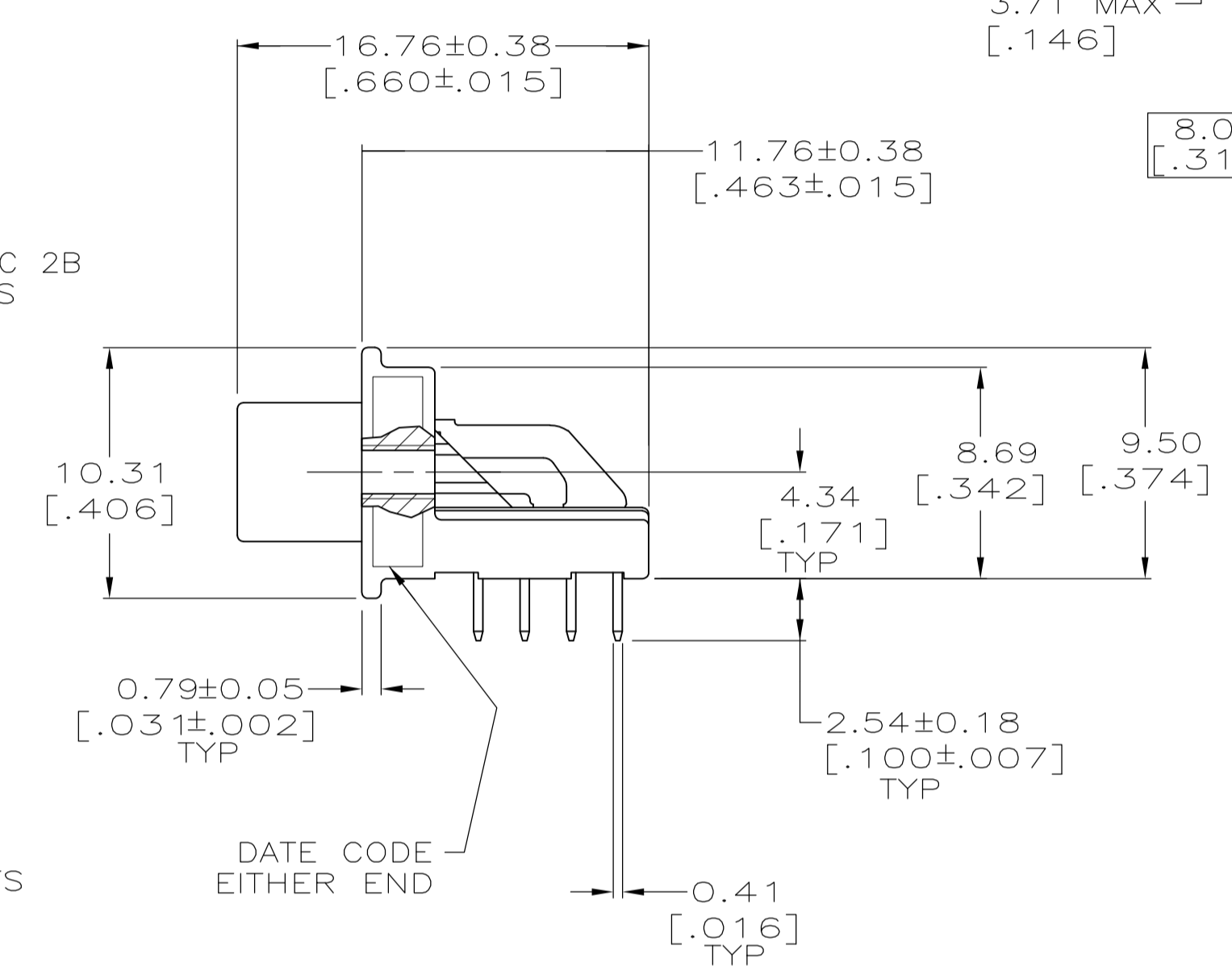
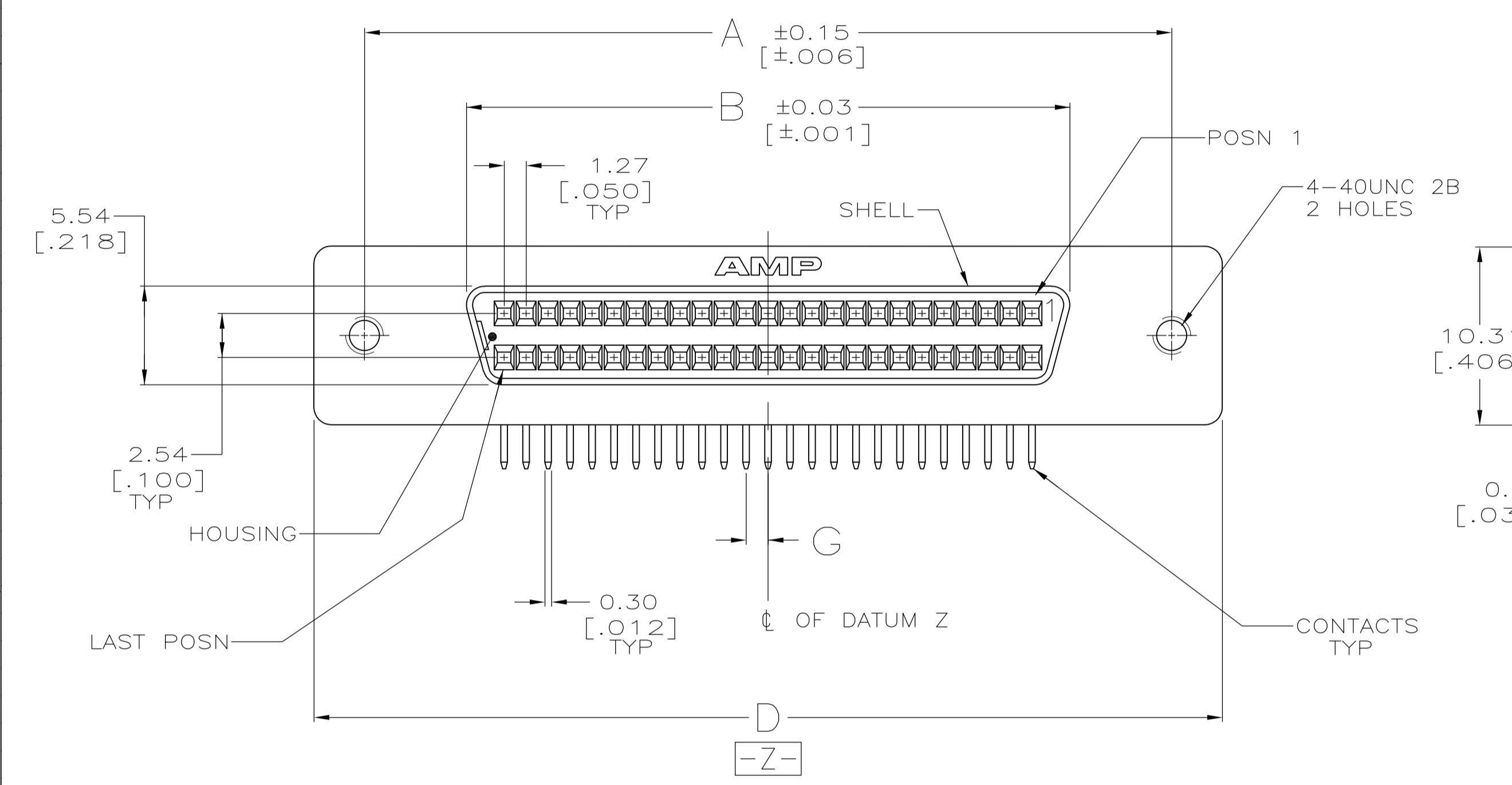
LOC		DIST		REVISIONS				
GP	00	P	LTR	DESCRIPTION	DATE	DN	APVD	
C1	REVISED PER ECO-11-004835				11MAR11	RK	HMR	



3.81±0.05  
[.150±.002]  
Φ0.10[.004] (M) X (M)  
2 PLC



RECOMMENDED PANEL CUTOUT



- 1 HOUSING & PIN SPACER: UL94V-0 RATED THERMOPLASTIC, COLOR BLACK.  
SHELL: CARBON STEEL.  
CONTACTS: PHOS BRONZE.  
BRACKET: ZINC.
- 2 SHELL: 0.00508 [.000200] MIN NICKEL OVER 0.00127 [.000050] MIN COPPER.  
CONTACTS: EITHER 0.00076 [.000030] MIN GOLD PLATE ON MATING END OR GOLD FLASH OVER PALLADIUM NICKEL PLATE, 0.00076 [.000030] MIN TOTAL ON MATING END. 0.00381 [.000150] MIN TIN ON SOLDER END, ALL OVER 0.00127 [.000050] MIN NICKEL ON ENTIRE CONTACT.  
BRACKET: 0.00254 [.000100] MIN NICKEL OVER 0.00508 [.000200] MIN COPPER.

	T	78.23 [3.080]	0.64 [.025]	69.44 [2.734]	82.04 [3.230]	84.20 [3.315]	66.45 [2.616]	78.23 [3.080]	100	5787169-9
	T	57.91 [2.280]	0.64 [.025]	49.12 [1.934]	61.72 [2.430]	63.88 [2.515]	46.13 [1.816]	57.91 [2.280]	68	5787169-7
OBSOLETE	S	-	1.27 [.050]	37.69 [1.484]	50.29 [1.980]	52.45 [2.065]	34.70 [1.366]	46.48 [1.830]	50	5787169-5
	PC BOARD PATTERN	L	G	F	E	D	B	A	NO OF POSN	PART NUMBER

THIS DRAWING IS A CONTROLLED DOCUMENT.

DIMENSIONS: mm [INCHES]

TOLERANCES UNLESS OTHERWISE SPECIFIED:

0 PLC	±	-
1 PLC	±	-
2 PLC	±	0.13 [.005]
3 PLC	±	-
4 PLC	±	-
ANGLES	±	-

MATERIAL:

FINISH:

APPROVED: J. GERACE 20JAN05  
CHK: S. SHUEY 13DEC05  
APPROVED: M. WALMSLEY 20JAN05  
NAME: RECEPTACLE ASSEMBLY, RIGHT ANGLE, SHIELDED, 1.27[.050] SERIES, AMPLIMITE

PRODUCT SPEC: 108-1228  
APPLICATION SPEC: 114-40029

SIZE: A1  
CAGE CODE: 00779  
DRAWING NO: 5787169  
RESTRICTED TO: -

CUSTOMER DRAWING  
SCALE: 4:1  
SHEET: 1 of 1  
REV: C1