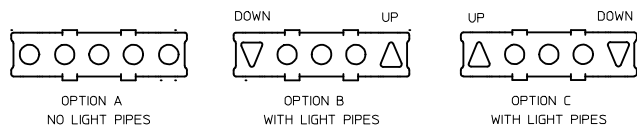


PART NUMBER	DESCRIPTION	LIGHT PIPE OPTIONS	GASKET
76870-0003	NO LIGHT PIPES	A = NONE	STANDARD
76870-0004	WITH LIGHT PIPES	B = DOWN / UP	STANDARD
76870-0005	WITH LIGHT PIPES	C = UP / DOWN	STANDARD
76870-0013	NO LIGHT PIPES	A = NONE	94V-0
76870-0014	WITH LIGHT PIPES	B = DOWN / UP	94V-0
76870-0015	WITH LIGHT PIPES	C = UP / DOWN	94V-0



NOTES:

1. MATERIAL:

CAGE: NICKEL SILVER, 0.25mm THICK  
 EMI STRAPS: PHOS-BRONZE  
 AIR-VENT/LIGHT PIPE HOUSINGS: DIECAST ALLOY  
 LIGHT PIPES: POLYCARBONATE (OPTIONAL)  
 CONNECTOR HOUSING: HIGH TEMPERATURE THERMOPLASTIC  
 TERMINALS: COPPER ALLOY  
 EMI GASKETS -CONDUCTIVE POLYMER HB/94V-0 SEE OPTIONS

2. FINISH:

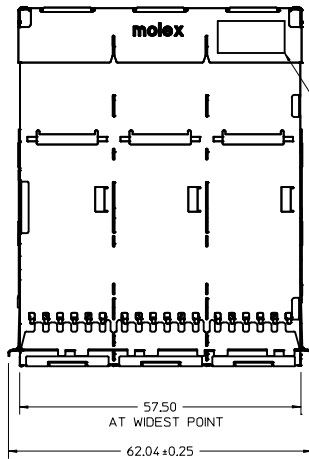
CAGE: UNPLATED  
 EMI STRAPS: 2.5µm NICKEL OVERALL  
 AIR-VENT/LIGHT PIPE HOUSINGS: NICKEL OVER COPPER  
 TERMINALS: CONTACT AREA:  
 0.76-1.52 µm MIN. GOLD OVER 2.5 µm MIN. NICKEL.  
 COMPLIANT TAIL:  
 0.7-1.5µm MIN. MATTE TIN OVER 1.3µm NICKEL.

3. PACKAGING: PRODUCT PACKAGED IN TRAYS AND CARTONS

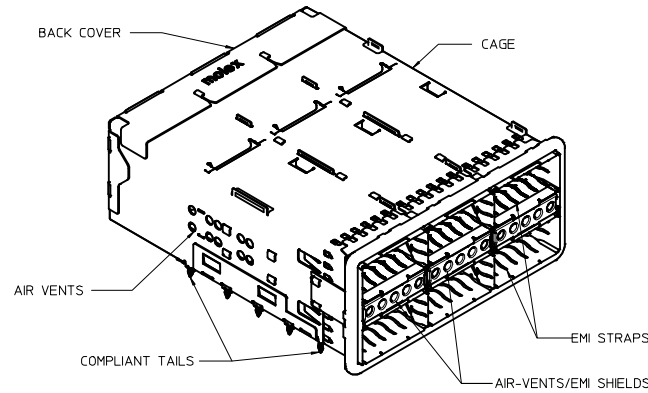
4. ALL VISIBLE EXTERIOR SURFACES TO BE CLASS 'B' OR BETTER, EXCEPT FOR THE UNDERSIDE OF THE CAGE AND SHOULD CONFORM TO THE MOLEX COSMETIC STANDARD ES-171233-0001.

5. CONNECTOR MATES WITH PLUG CABLE SERIES 74757 AND 74758

6. DATE CODE LOCATION IS SHOWN.  
 DATE CODE FORMAT: DDDY  
 DDD= DAY OF THE YEAR  
 Y= YEAR

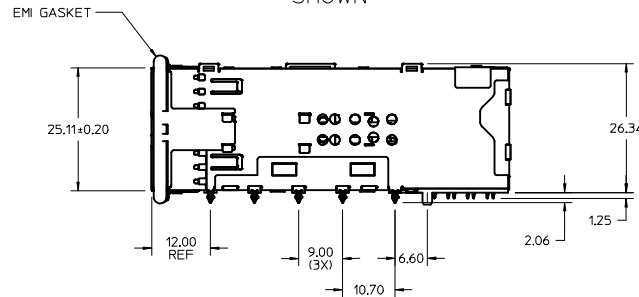
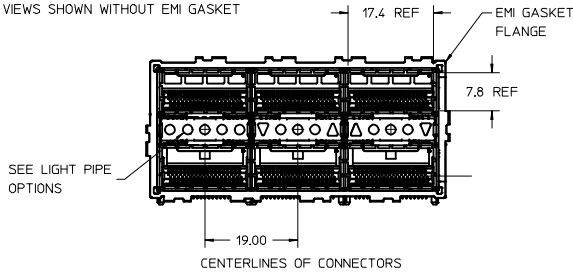


DATE CODE LOCATION  
 SEE NOTE 6



PART NUMBER  
 76870-0001-0003  
 SHOWN

VIEWS SHOWN WITHOUT EMI GASKET



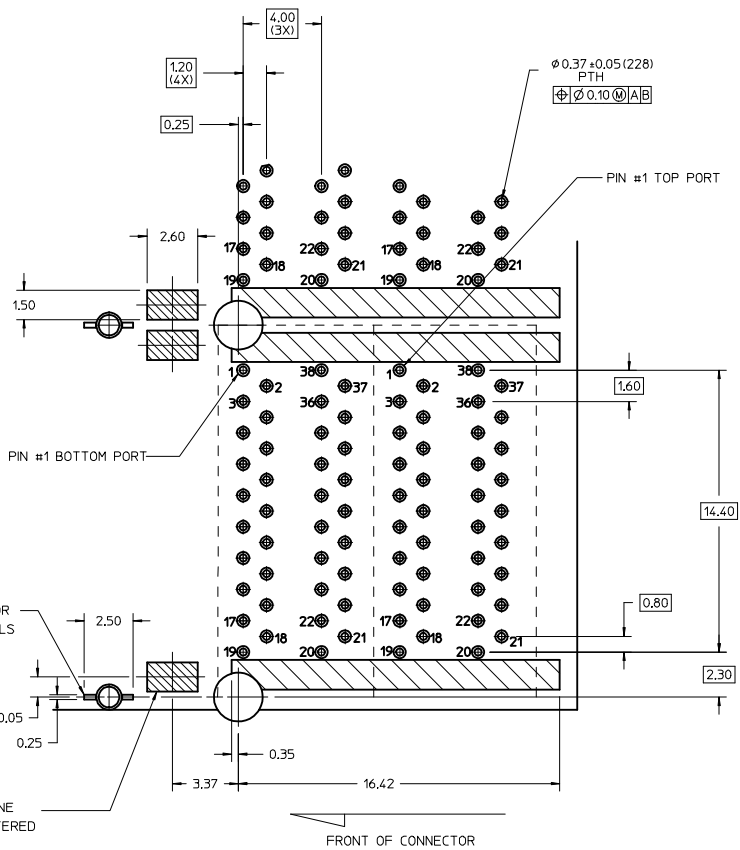
ADDED 94V-0 GASKET PMS IEC NO. UCF2014-5082 DRAWN BY: CHYD APPR: MBANKIS 2014/06/05	QUALITY SYMBOLS ▽=0 ▽=0	GENERAL TOLERANCES (UNLESS SPECIFIED)		DIMENSION STYLE		SCALE	DESIGN UNITS	THIRD ANGLE PROJECTION	
				MM ONLY		2:1	METRIC		
		4 PLACES	±	mm	±	INCH	DRAWN BY: SBOGIEL DATE: 01/22/2009		
		3 PLACES	±		±		CHECKED BY: DATE: 01/23/2009		
2 PLACES	±	0.13	±		APPROVED BY: DATE: 01/26/2009				
1 PLACE	±	0.25	±		ANGULAR ±1/2°				
DRAFT WHERE APPLICABLE MUST REMAIN WITHIN DIMENSIONS		SEE CHART		MATERIAL NO.		DOCUMENT NO.			
		SIZE D		THIS DRAWING CONTAINS INFORMATION THAT IS PROPRIETARY TO MOLEX INCORPORATED AND SHOULD NOT BE USED WITHOUT WRITTEN PERMISSION					

TITLE  
 ASSEMBLY, QSFP PLUS  
 STACKED 2 X 3  
 WITH ELASTOMER GASKET

MOLEX INCORPORATED

SD-76870-001

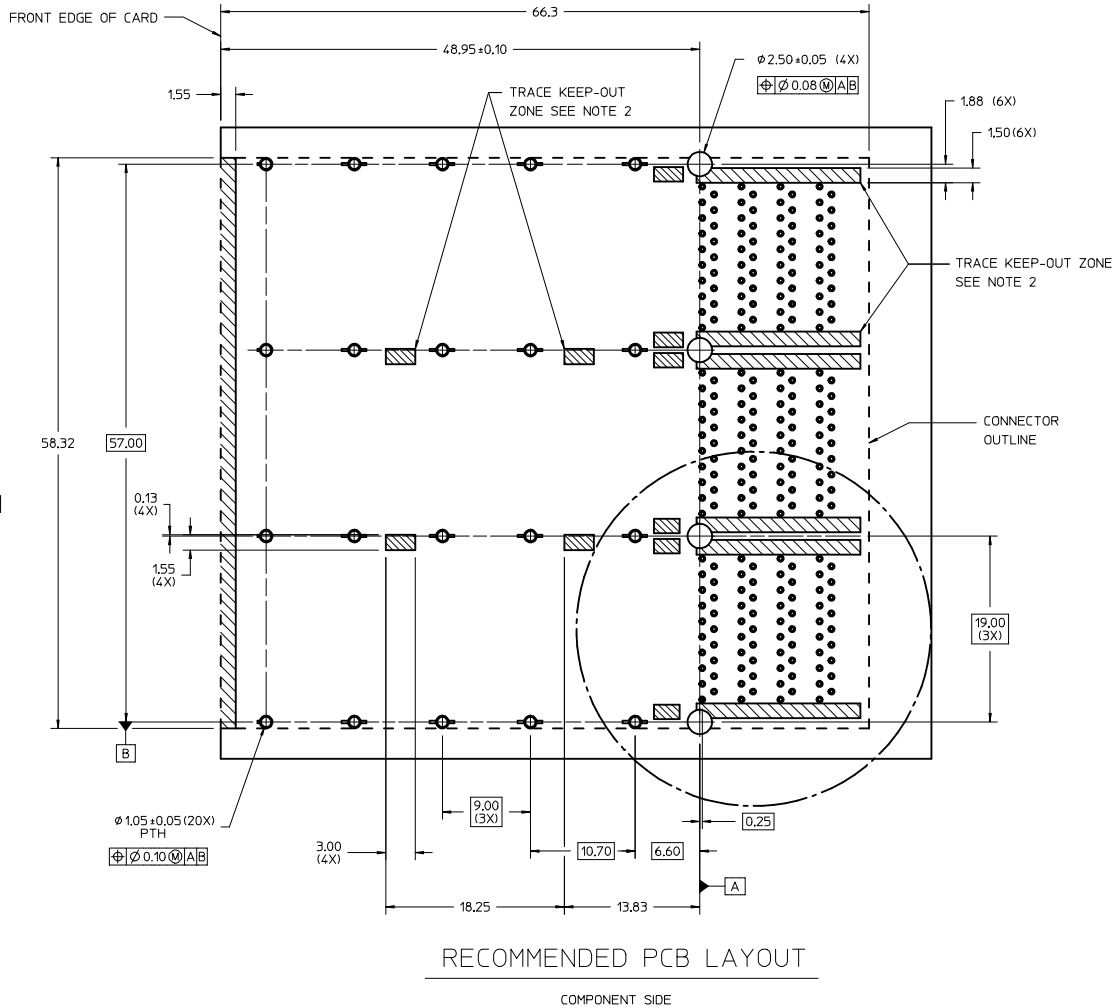
SHEET NO.  
 1 OF 3



DETAIL 1  
PCB PORT LAYOUT  
(COMPONENT SIDE)

NOTES:

- DASHED LINES INDICATE THE CONNECTOR OUTLINE, THIS AREA IS A COMPONENT KEEP-OUT ZONE.
- CROSS HATCHED AREAS DENOTE CRITICAL POINTS WHERE CAGE OR CONNECTOR HOUSINGS CAN CONTACT THE BOARD, THESE AREAS ARE TRACE KEEP-OUT ZONES.
- LED KEEP-IN ZONE DEFINES THE PHYSICAL SPACE ALLOWED FOR PLACEMENT OF SMD CHIP STYLE LED PACKAGES, KEEP-IN ZONE EXTENDS VERTICALLY TO 0,8mm ABOVE THE TOP SIDE OF BOARD.

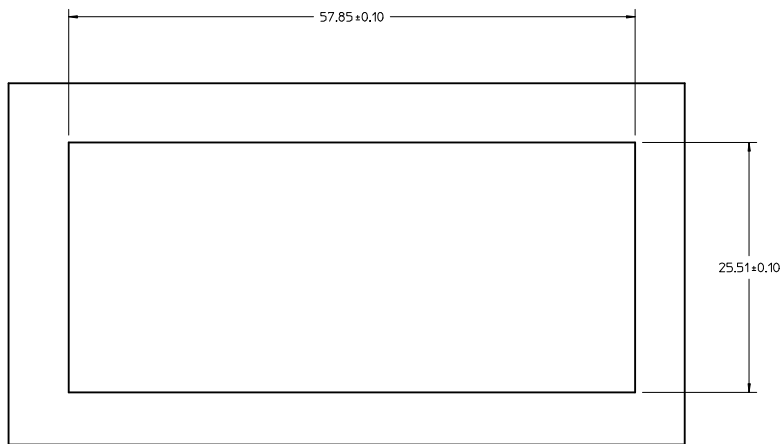


RECOMMENDED PCB LAYOUT  
COMPONENT SIDE

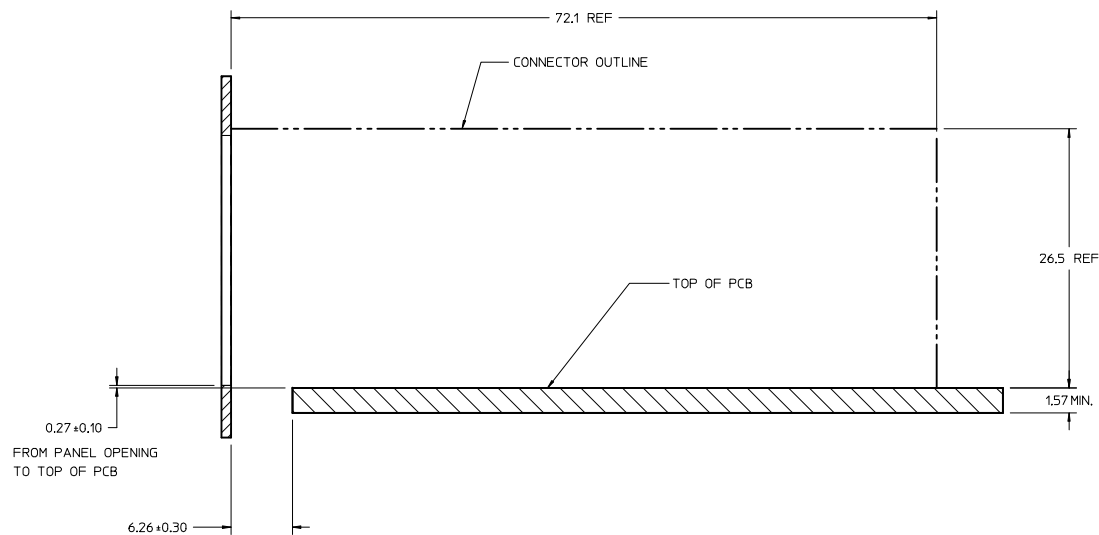
<b>SEE SHEET 1</b> IEC NO: UCP2014-5082 DRAWN BY: CHYD APPROVED BY: MBANKAKIS DATE: 2014/06/05	QUALITY SYMBOLS $\nabla=0$ $\nabla=0$ $\nabla=0$	GENERAL TOLERANCES (UNLESS SPECIFIED) <table border="1"> <thead> <tr> <th></th> <th>mm</th> <th>INCH</th> </tr> </thead> <tbody> <tr> <td>4 PLACES</td> <td>±---</td> <td>±---</td> </tr> <tr> <td>3 PLACES</td> <td>±---</td> <td>±---</td> </tr> <tr> <td>2 PLACES</td> <td>±0.13</td> <td>±---</td> </tr> <tr> <td>1 PLACE</td> <td>±0.25</td> <td>±---</td> </tr> <tr> <td colspan="3">ANGULAR ±1/2°</td> </tr> </tbody> </table>		mm	INCH	4 PLACES	±---	±---	3 PLACES	±---	±---	2 PLACES	±0.13	±---	1 PLACE	±0.25	±---	ANGULAR ±1/2°			DIMENSION STYLE <b>MM ONLY</b>	SCALE <b>2:1</b>	DESIGN UNITS <b>METRIC</b>	THIRD ANGLE PROJECTION
		mm	INCH																					
	4 PLACES	±---	±---																					
	3 PLACES	±---	±---																					
2 PLACES	±0.13	±---																						
1 PLACE	±0.25	±---																						
ANGULAR ±1/2°																								
			DRAWN BY: SBOG IEL DATE: 01/22/2009	TITLE <b>ASSEMBLY, QSFP PLUS STACKED 2 X 3 WITH ELASTOMER GASKET</b>																				
			CHECKED BY: KREGNIER DATE: 01/23/2009	<b>MOLEX INCORPORATED</b>																				
			APPROVED BY: MBANKAKIS DATE: 01/26/2009	MATERIAL NO. <b>SEE SHEET 1</b>	DOCUMENT NO. <b>SD-76870-001</b>	SHEET NO. <b>2 OF 3</b>																		

THIS DRAWING CONTAINS INFORMATION THAT IS PROPRIETARY TO MOLEX INCORPORATED AND SHOULD NOT BE USED WITHOUT WRITTEN PERMISSION

20 19 18 17 16 15 14 13 12 11 10 9 8 7 6 5 4 3 2 1



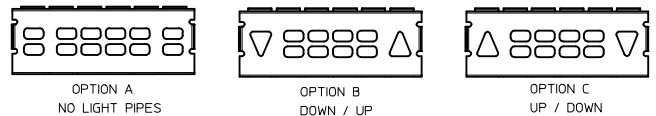
RECOMMENDED PANEL CUT-OUT



<b>SEE SHEET 1</b> IEC NO: UCP2014-5082 DRAWN BY: CHYKD APPR: MBANKIS 2014/06/05	QUALITY SYMBOLS ▽=0 ▽=0	GENERAL TOLERANCES (UNLESS SPECIFIED) <table border="1"> <thead> <tr> <th></th> <th>mm</th> <th>INCH</th> </tr> </thead> <tbody> <tr> <td>4 PLACES</td> <td>± 0.13</td> <td>± 0.005</td> </tr> <tr> <td>3 PLACES</td> <td>± 0.15</td> <td>± 0.006</td> </tr> <tr> <td>2 PLACES</td> <td>± 0.25</td> <td>± 0.010</td> </tr> <tr> <td>1 PLACE</td> <td>± 0.50</td> <td>± 0.020</td> </tr> </tbody> </table>		mm	INCH	4 PLACES	± 0.13	± 0.005	3 PLACES	± 0.15	± 0.006	2 PLACES	± 0.25	± 0.010	1 PLACE	± 0.50	± 0.020	DIMENSION STYLE <b>MM ONLY</b>	SCALE <b>4:1</b>	DESIGN UNITS <b>METRIC</b>	THIRD ANGLE PROJECTION 
		mm	INCH																		
4 PLACES	± 0.13	± 0.005																			
3 PLACES	± 0.15	± 0.006																			
2 PLACES	± 0.25	± 0.010																			
1 PLACE	± 0.50	± 0.020																			
DRAWN BY: SBOGIEL CHECKED BY: KREGNIER APPROVED BY: MBANKIS DATE: 01/22/2009 DATE: 01/23/2009 DATE: 01/26/2009	TITLE <b>ASSEMBLY, QSFP PLUS          STACKED 2 X 3          WITH ELASTOMER GASKET</b>	MATERIAL NO. <b>SEE SHEET 1</b>	DOCUMENT NO. <b>SD-76870-001</b>	SHEET NO. <b>3 OF 3</b>																	

19 18 17 16 15 14 13 12 11 10 9 8 7 6 5 4 3 2 1

PART NUMBER	DESCRIPTION	LIGHT PIPE OPTIONS	PLATING
76870-2003	NO LIGHT PIPES	A = NONE	TIN
76870-2004	WITH LIGHT PIPES	B = DOWN / UP	TIN
76870-2005	WITH LIGHT PIPES	C = UP / DOWN	TIN



NOTES:

1. MATERIAL:

CAGE: NICKEL SILVER, 0.25mm THICK  
 EMI STRAPS: PHOS-BRONZE  
 AIR-VENT/LIGHT PIPE HOUSINGS: DIECAST ALLOY  
 LIGHT PIPES: POLYCARBONATE (OPTIONAL)  
 CONNECTOR HOUSING: HIGH TEMPERATURE THERMOPLASTIC  
 TERMINALS: COPPER ALLOY

2. FINISH:

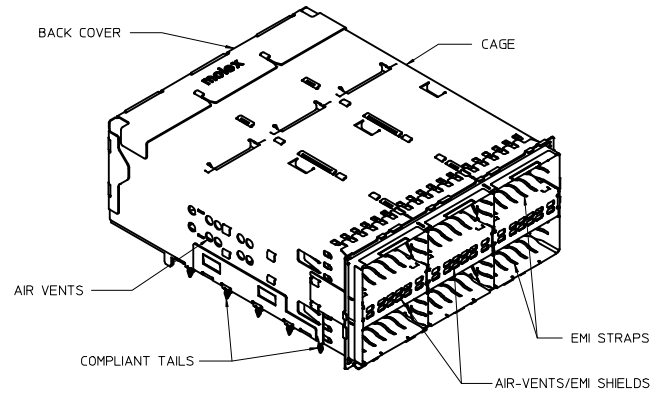
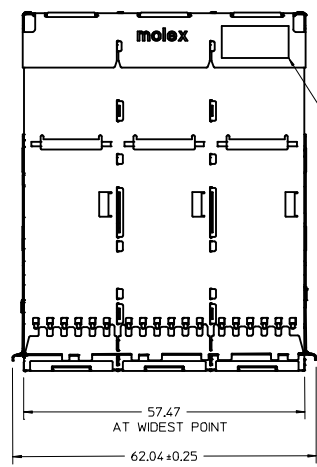
CAGE: UNPLATED  
 EMI STRAPS: 2.5µm NICKEL OVERALL  
 AIR-VENT/LIGHT PIPE HOUSINGS: NICKEL OVER COPPER  
 TERMINALS: CONTACT AREA:  
 0.76-1.52 µm MIN. GOLD OVER 2.5 µm MIN. NICKEL.  
 COMPLIANT TAIL:  
 TIN/LEAD: 0.7-1.5 µm TIN/LEAD (90/10) OVER 1.3 µm NICKEL.  
 TIN: 0.7-1.5µm MIN. MATTE TIN OVER 1.3µm NICKEL.

3. PACKAGING: PRODUCT PACKAGED IN TRAYS AND CARTONS

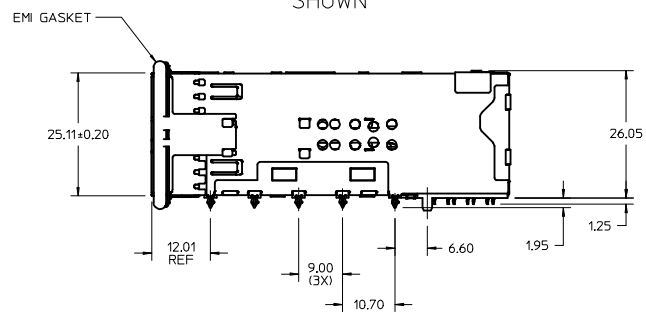
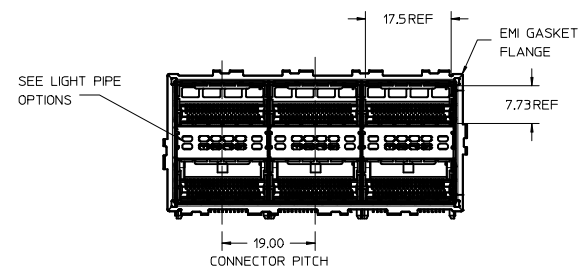
4. ALL VISIBLE EXTERIOR SURFACES TO BE CLASS 'B' OR BETTER, EXCEPT FOR THE UNDERSIDE OF THE CAGE AND SHOULD CONFORM TO THE MOLEX COSMETIC STANDARD PS-45499-002

5. CONNECTOR MATES WITH PLUG CABLE SERIES 74757 AND 74758

6. DATE CODE LOCATION IS SHOWN.  
 DATE CODE FORMAT: DDDY  
 DDD= DAY OF THE YEAR  
 Y= YEAR



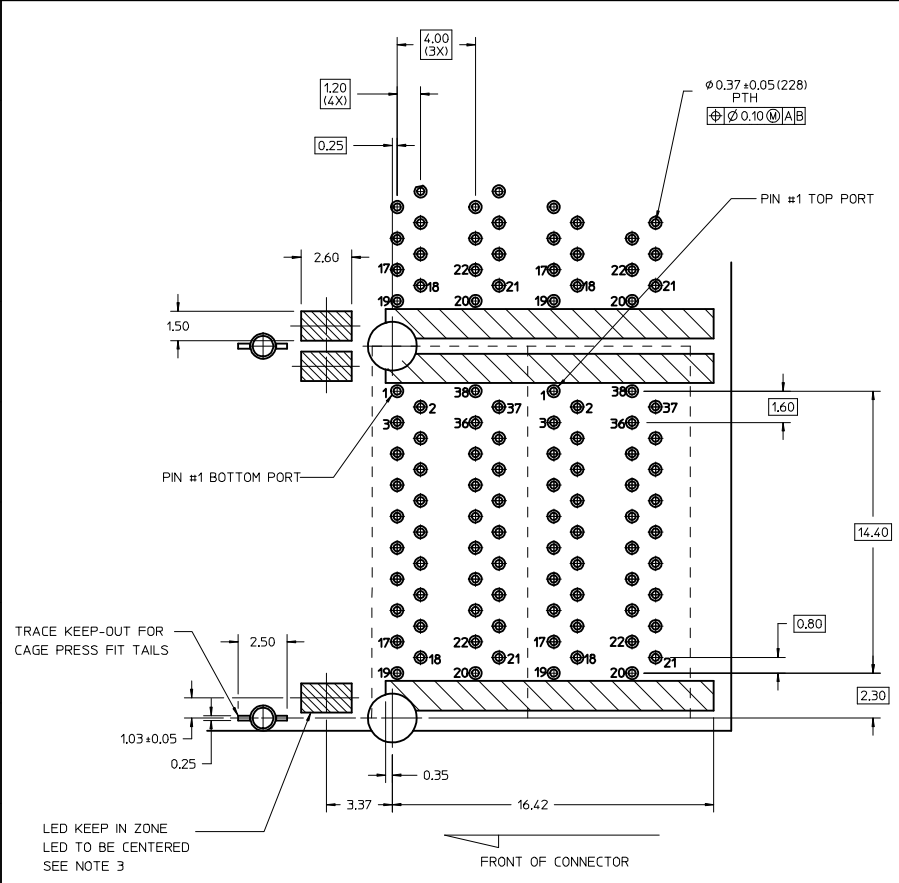
PART NUMBER  
 76870-0001/-0003  
 SHOWN



DEFINE LED KEEP-IN IEC NO. UCP2013-0233 DRAWN BY CHYD APPR: MBANKI S 2012/07/31	QUALITY SYMBOLS	GENERAL TOLERANCES (UNLESS SPECIFIED)	DIMENSION STYLE	SCALE	DESIGN UNITS	THIRD ANGLE PROJECTION																		
	$\nabla=0$ $\nabla=0$	<table border="1"> <thead> <tr> <th></th> <th>mm</th> <th>INCH</th> </tr> </thead> <tbody> <tr> <td>4 PLACES</td> <td>±---</td> <td>±---</td> </tr> <tr> <td>3 PLACES</td> <td>±---</td> <td>±---</td> </tr> <tr> <td>2 PLACES</td> <td>±0.13</td> <td>±---</td> </tr> <tr> <td>1 PLACE</td> <td>±0.25</td> <td>±---</td> </tr> <tr> <td colspan="3">ANGULAR ±1/2°</td> </tr> </tbody> </table>		mm	INCH	4 PLACES	±---	±---	3 PLACES	±---	±---	2 PLACES	±0.13	±---	1 PLACE	±0.25	±---	ANGULAR ±1/2°			MM ONLY	2:1	METRIC	
		mm	INCH																					
	4 PLACES	±---	±---																					
3 PLACES	±---	±---																						
2 PLACES	±0.13	±---																						
1 PLACE	±0.25	±---																						
ANGULAR ±1/2°																								
DRAWN BY HAVERY 2012/06/08 CHECKED BY DATE	APPROVED BY MBANKI S 2012/07/31 DATE	TITLE <b>ASSEMBLY, QSFP PLUS          STACKED 2 X 3          ENHANCED EMI PERFORMANCE</b>																						
MATERIAL NO. <b>SEE CHART</b>	DOCUMENT NO. <b>SD-76870-2000</b>	MOLEX INCORPORATED		SHEET NO. 1 OF 3																				

DRAFT WHERE APPLICABLE MUST REMAIN WITHIN DIMENSIONS

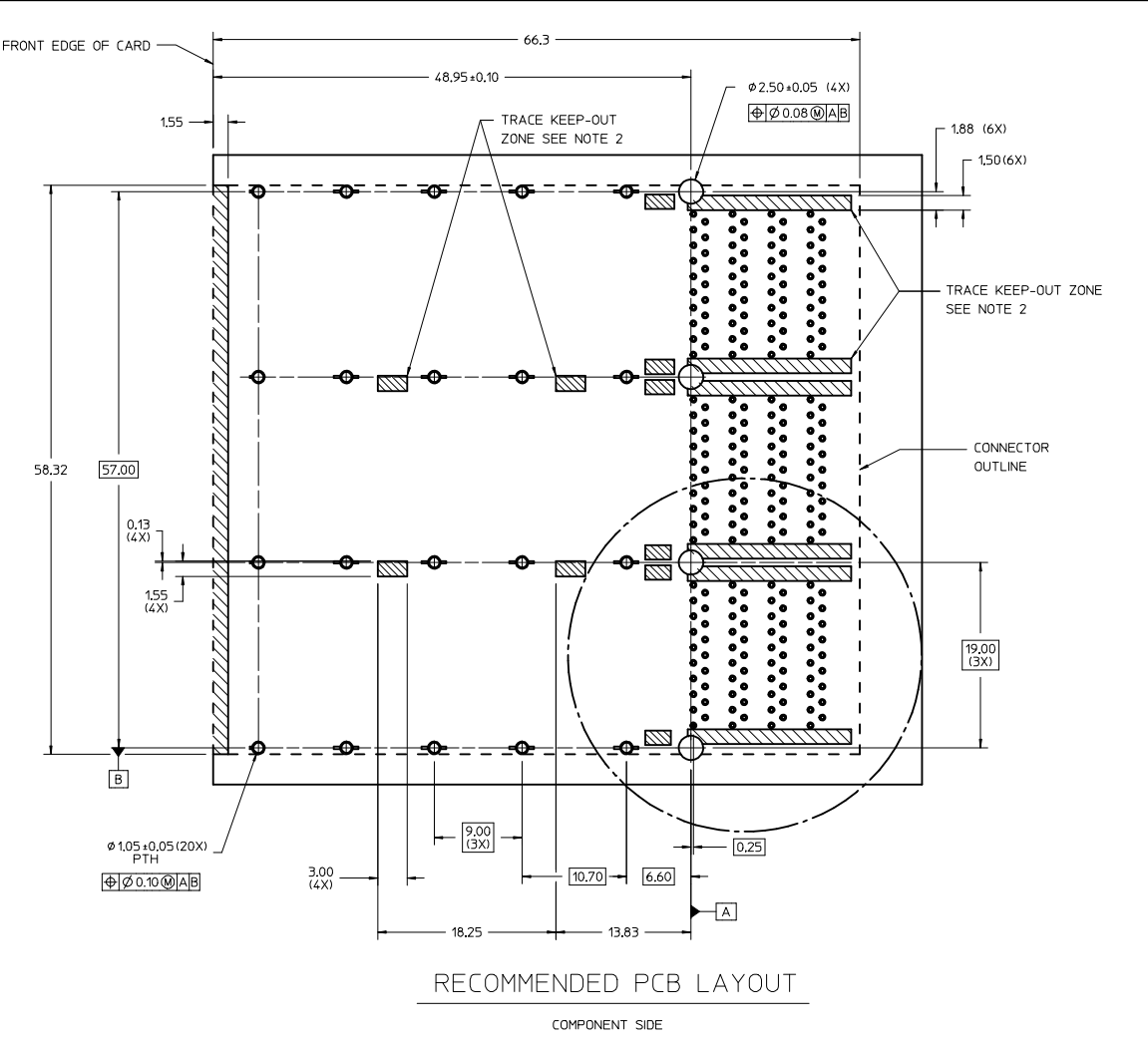
THIS DRAWING CONTAINS INFORMATION THAT IS PROPRIETARY TO MOLEX INCORPORATED AND SHOULD NOT BE USED WITHOUT WRITTEN PERMISSION



DETAIL 1  
PCB PORT LAYOUT  
(COMPONENT SIDE)

NOTES:

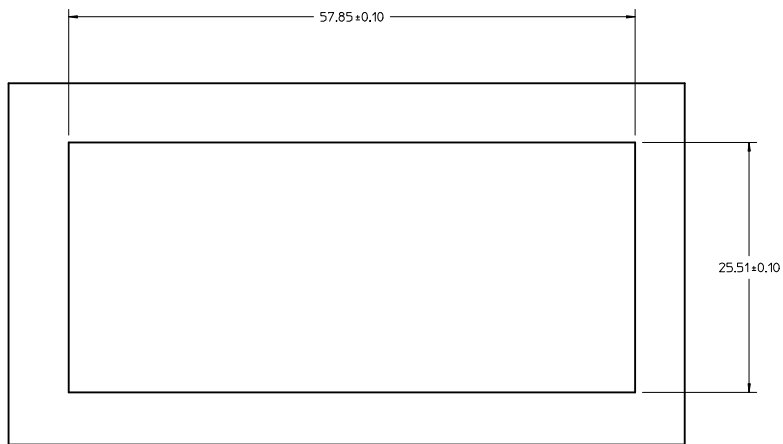
1. DASHED LINES INDICATE THE CONNECTOR OUTLINE, THIS AREA IS A COMPONENT KEEP-OUT ZONE.
2. CROSS HATCHED AREAS DENOTE CRITICAL POINTS WHERE CAGE OR CONNECTOR HOUSINGS CAN CONTACT THE BOARD, THESE AREAS ARE TRACE KEEP-OUT ZONES.
3. LED KEEP-IN ZONE DEFINES THE PHYSICAL SPACE ALLOWED FOR PLACEMENT OF SMD CHIP STYLE LED PACKAGES, KEEP-IN ZONE EXTENDS VERTICALLY TO 0,8mm ABOVE THE TOP SIDE OF BOARD.



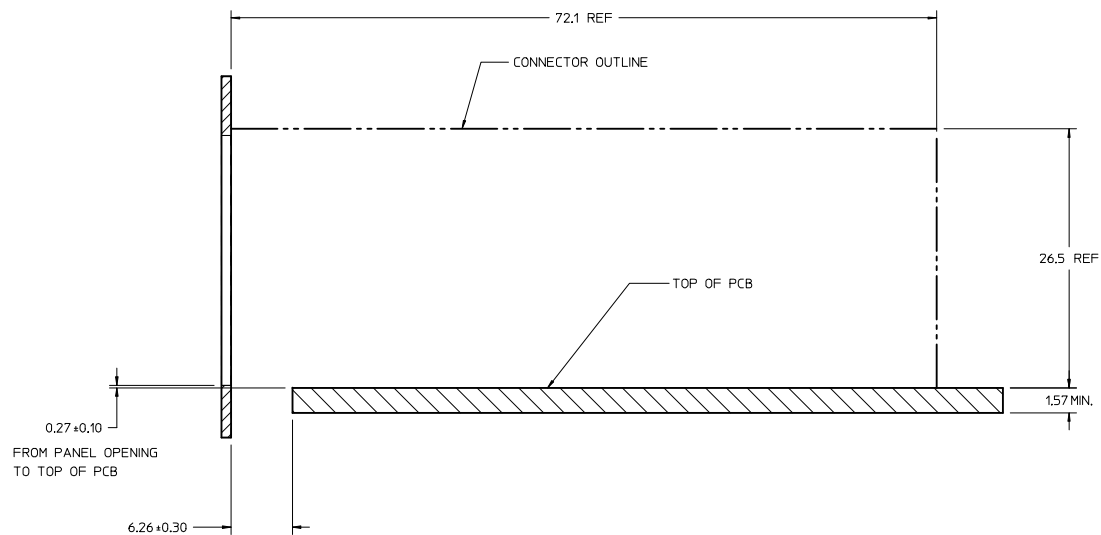
RECOMMENDED PCB LAYOUT  
COMPONENT SIDE

<b>SEE SHEET 1</b> IEC NO: UCP2013-0233 DRAWN BY: DR.WHAVERY CHYD: 2012/06/08 APPROVED BY: MBANAKIS APPR: MBANAKIS DATE: 2012/07/31	QUALITY SYMBOLS ∇=0 ∇=0 ∇=0	GENERAL TOLERANCES (UNLESS SPECIFIED) 4 PLACES ± --- INCH 3 PLACES ± --- mm 2 PLACES ± 0.13 1 PLACE ± 0.25 ANGULAR ± 1/2°	DIMENSION STYLE MM ONLY	SCALE 2:1	DESIGN UNITS METRIC	THIRD ANGLE PROJECTION	
	DRAFT WHERE APPLICABLE MUST REMAIN WITHIN DIMENSIONS	DRAWN BY: HAVERY DATE: 2012/06/08 CHECKED BY: DATE:	APPROVED BY: MBANAKIS DATE: 2012/07/31	TITLE ASSEMBLY, QSFP PLUS STACKED 2 X 3 ENHANCED EMI PERFORMANCE	MATERIAL NO. SEE SHEET 1	DOCUMENT NO. SD-76870-2000	SHEET NO. 2 OF 3
	THIS DRAWING CONTAINS INFORMATION THAT IS PROPRIETARY TO MOLEX INCORPORATED AND SHOULD NOT BE USED WITHOUT WRITTEN PERMISSION						
	MOLEX INCORPORATED						

20 19 18 17 16 15 14 13 12 11 10 9 8 7 6 5 4 3 2 1



RECOMMENDED PANEL CUT-OUT



<b>SEE SHEET 1</b> IEC NO: UCP2013-0233 DRAWN BY: HAVERY 2012/06/08 CHKD: MBANKI S APPR: MBANKI S 2012/07/31 REV: 1	QUALITY SYMBOLS	GENERAL TOLERANCES (UNLESS SPECIFIED)	DIMENSION STYLE	SCALE	DESIGN UNITS	THIRD ANGLE PROJECTION																		
	$\nabla=0$ $\nabla=0$	<table border="1"> <thead> <tr> <th></th> <th>mm</th> <th>INCH</th> </tr> </thead> <tbody> <tr> <td>4 PLACES</td> <td>± ---</td> <td>± ---</td> </tr> <tr> <td>3 PLACES</td> <td>± ---</td> <td>± ---</td> </tr> <tr> <td>2 PLACES</td> <td>± 0.13</td> <td>± ---</td> </tr> <tr> <td>1 PLACE</td> <td>± 0.25</td> <td>± ---</td> </tr> <tr> <td colspan="3">ANGULAR ±1/2°</td> </tr> </tbody> </table>		mm	INCH	4 PLACES	± ---	± ---	3 PLACES	± ---	± ---	2 PLACES	± 0.13	± ---	1 PLACE	± 0.25	± ---	ANGULAR ±1/2°			<b>MM ONLY</b> DRAWN BY: HAVERY 2012/06/08 CHECKED BY: DATE	4:1	METRIC	
		mm	INCH																					
	4 PLACES	± ---	± ---																					
3 PLACES	± ---	± ---																						
2 PLACES	± 0.13	± ---																						
1 PLACE	± 0.25	± ---																						
ANGULAR ±1/2°																								
DRAFT WHERE APPLICABLE MUST REMAIN WITHIN DIMENSIONS	APPROVED BY: MBANKI S 2012/07/31 MATERIAL NO: <b>SEE SHEET 1</b> SIZE: D	TITLE: <b>ASSEMBLY, QSFP PLUS STACKED 2 X 3 ENHANCED EMI PERFORMANCE</b> MOLEX INCORPORATED	DOCUMENT NO: <b>SD-76870-2000</b>	SHEET NO: <b>3 OF 3</b>																				
THIS DRAWING CONTAINS INFORMATION THAT IS PROPRIETARY TO MOLEX INCORPORATED AND SHOULD NOT BE USED WITHOUT WRITTEN PERMISSION																								

19 18 17 16 15 14 13 12 11 10 9 8 7 6 5 4 3 2 1