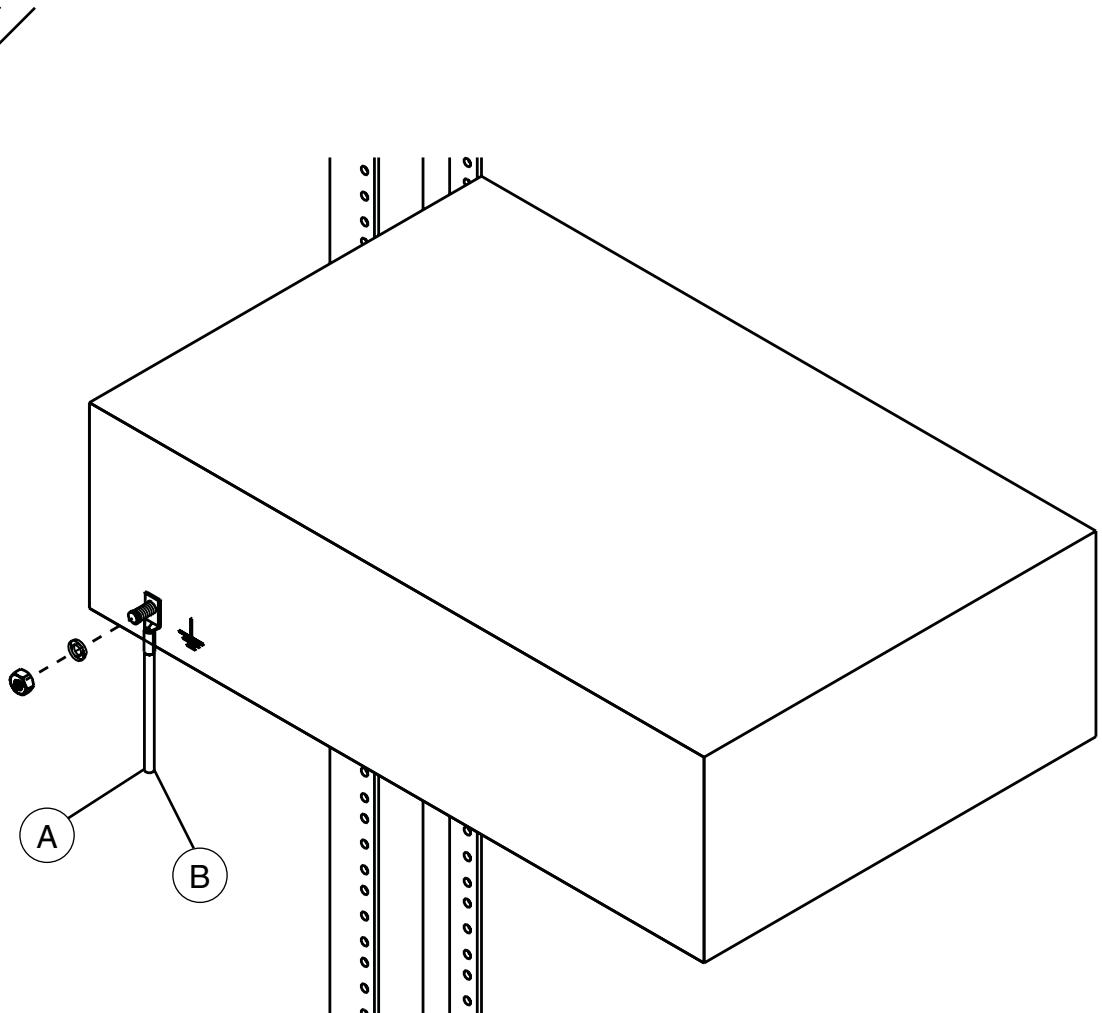


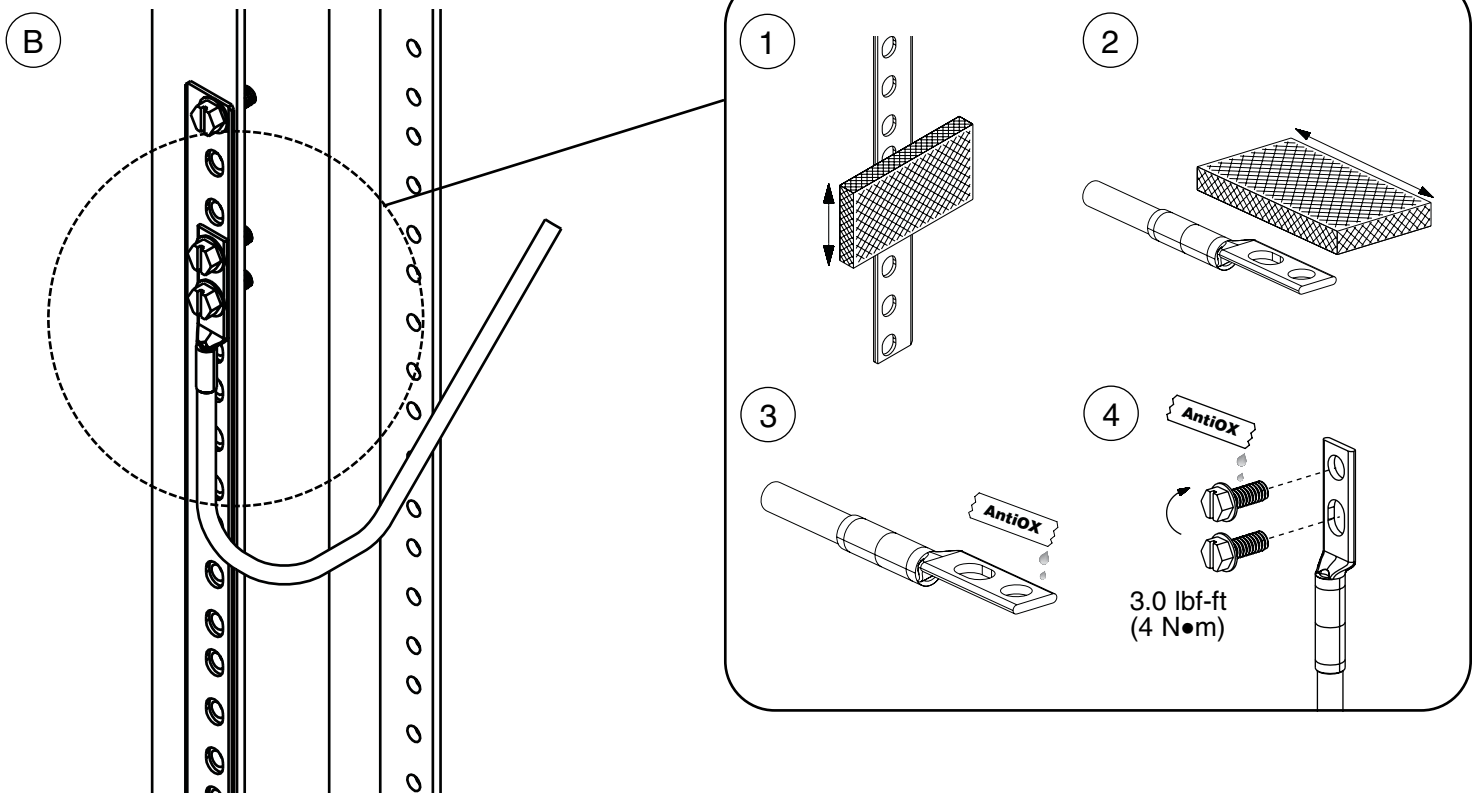
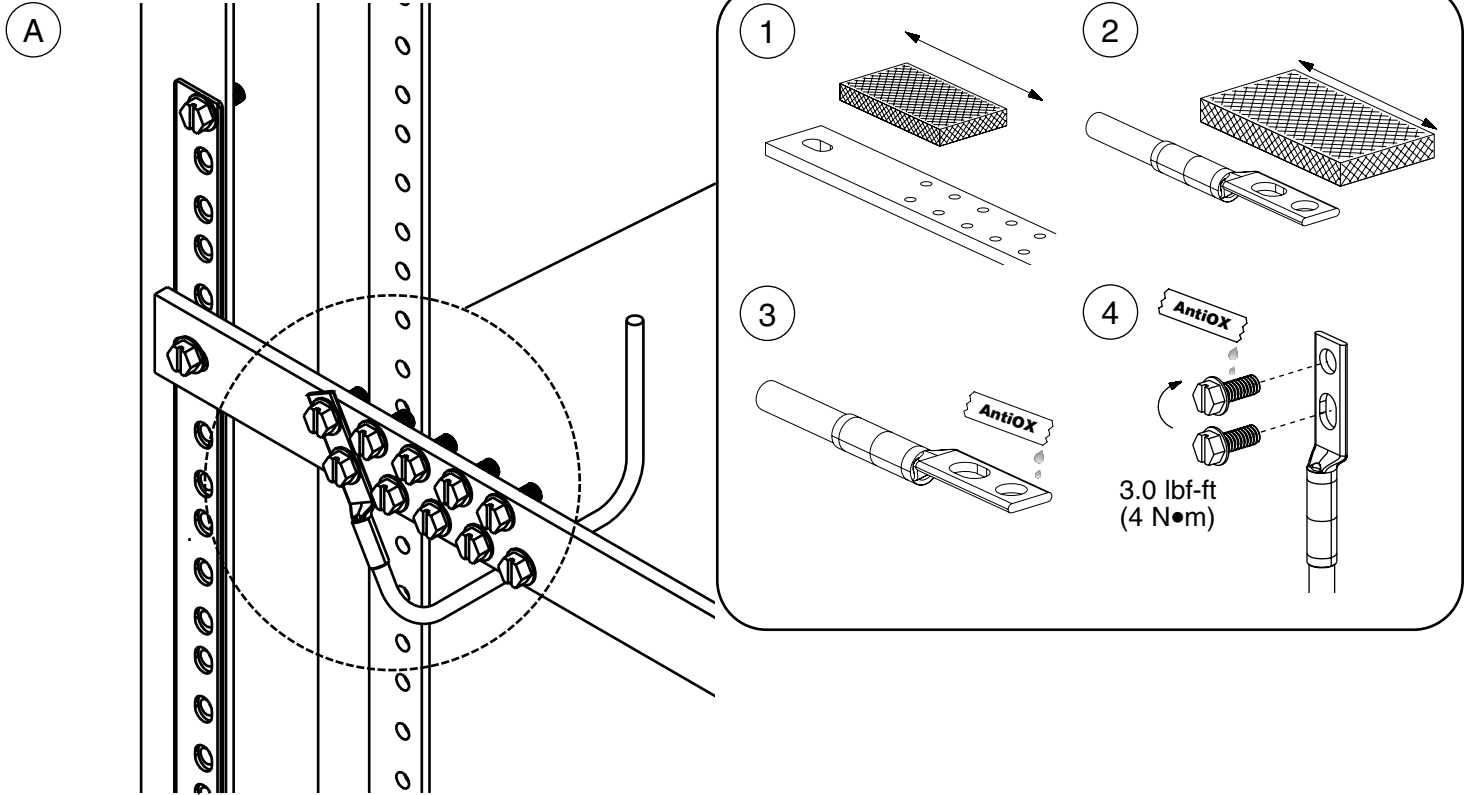
INSTALLATION INSTRUCTIONS T-PMPI-271-PC

© PANDUIT Corp. 2006

SSGK-1	
	1
Surge Suppressor Jumper	
	2
M6 Screw	
	2
12-24 Screw	
	2
M5 Screw	
	2
10-32 Screw	
	1
AntiOx	
	1
Cleaning Pad	



INSTALLATION INSTRUCTIONS T-PMPI-271-PC



For Instructions in Local Languages
and Technical Support:

http://www.panduit.com/resources/install_maintain.asp



www.panduit.com

E-mail:
cs@panduit.com

Fax:
(815)485-5839