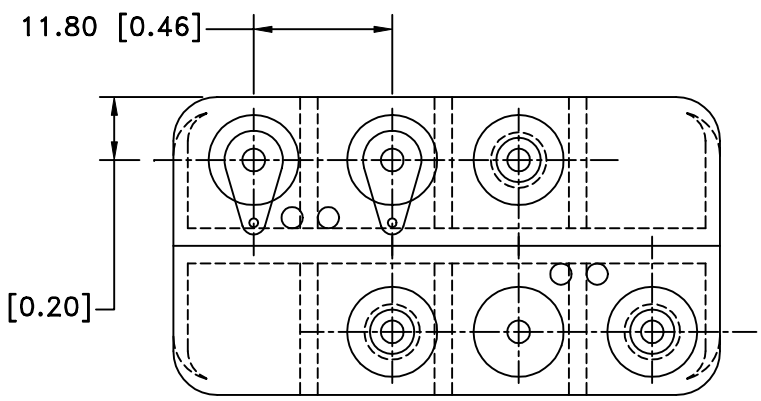
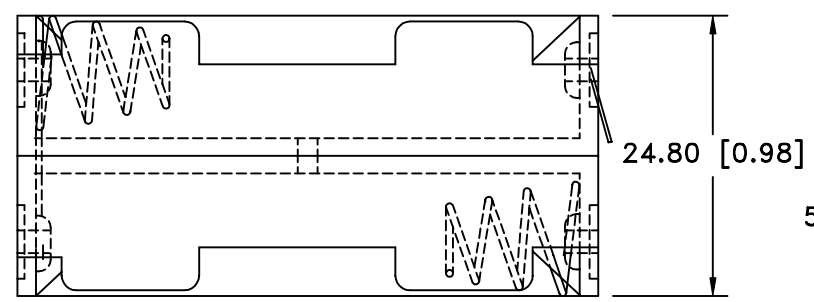



| Date | SYM | REVISION RECORD | AUTH | DR. | CK. |
|------|-----|-----------------|------|-----|-----|
| | | | | | |
| | | | | | |
| | | | | | |
| | | | | | |
| | | | | | |



NOTES:

- 1. MATERIAL:
- HOUSING : BLACK POLYPROPYLENE
- RIVETS: BRASS, NICKLE PLTD.
- SPRING: SPRING STEEL, NICKLE PLTD.

| | | | |
|--------------------------------|---|----------------------------|------------------|
| Tolerance (Except as noted) |  Memory Protection Devices, Inc 200 Broad Hollow Road, Farmingdale, New York 11735 | Scale | Drawn By B.S. |
| | | | Approved By T.B. |
| decimal ±.5 (.020) | Title EIGHT "AAA" CELL HOLDER | | |
| Fractional ± .8 (.030) | Date 08/01/01 | Drawing Number BH28AAAL | |
| Angular ± 3° | | | |