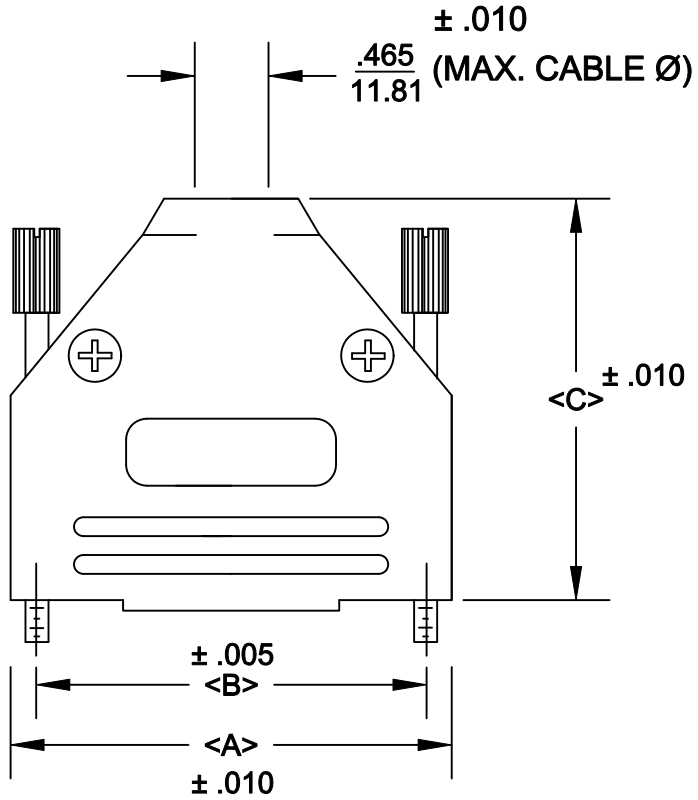


**BACKSHELL KIT INCLUDES:**

- (2) BACKSHELL HALVES
- (2) 4-40 THUMBSCREWS
- (2) HOUSING SCREWS/NUTS
- (1) SET OF COMPRESSION INSERTS-VARIOUS SIZES  
 $\varnothing 0.157$  [4.0],  $\varnothing 0.197$  [5.0],  $\varnothing 0.276$  [7.0],  $\varnothing 0.354$  [9.0]



970-YYY-010R011

SERIES \_\_\_\_\_

POSITIONS \_\_\_\_\_

009 \_\_\_\_\_

015 \_\_\_\_\_

025 \_\_\_\_\_

037 \_\_\_\_\_

MATERIAL \_\_\_\_\_

010 = PLASTIC \_\_\_\_\_

COLOR: \_\_\_\_\_

01 = BLACK \_\_\_\_\_


PUT-UPS \_\_\_\_\_

1 = KIT \_\_\_\_\_

POS.	A	B	C	D
9	1.228	.984	1.571	.590
	31.19	24.99	39.90	14.99
15	1.555	1.312	1.634	.590
	39.50	33.32	41.50	14.99
25	2.102	1.852	1.913	.590
	53.39	47.04	48.59	14.99
37	2.744	2.500	2.110	.590
	69.70	63.50	53.59	14.99

PLASTIC: ABS POLYLAC - BLACK - UL 94-HB  
 JACKSCREWS: STEEL - BLACK  
 M3 HOODSCREWS: STEEL - BLACK  
 COMPRESSION INSERT: ABS UL 94-HB  
 M3 NUT: STEEL - BLACK  
 OPERATING TEMP: - 30°C TO + 90°C

RoHS COMPLIANT

	THESE DRAWINGS AND SPECIFICATIONS ARE THE PROPERTY OF NorComp AND SHALL NOT BE REPRODUCED, COPIED OR USED AS THE BASIS FOR THE MANUFACTURE OR SALE OF APPARATUS WITHOUT WRITTEN PERMISSION.		DRAWN: <b>PAM JENKINS</b>	DATE: <b>6-9-05</b>
			CHECKED:	DATE:
<h1>NorComp</h1>		SCALE	SHEET OF	REV <b>8</b>
		DWG NO. <b>970-YYY-010R011</b>		