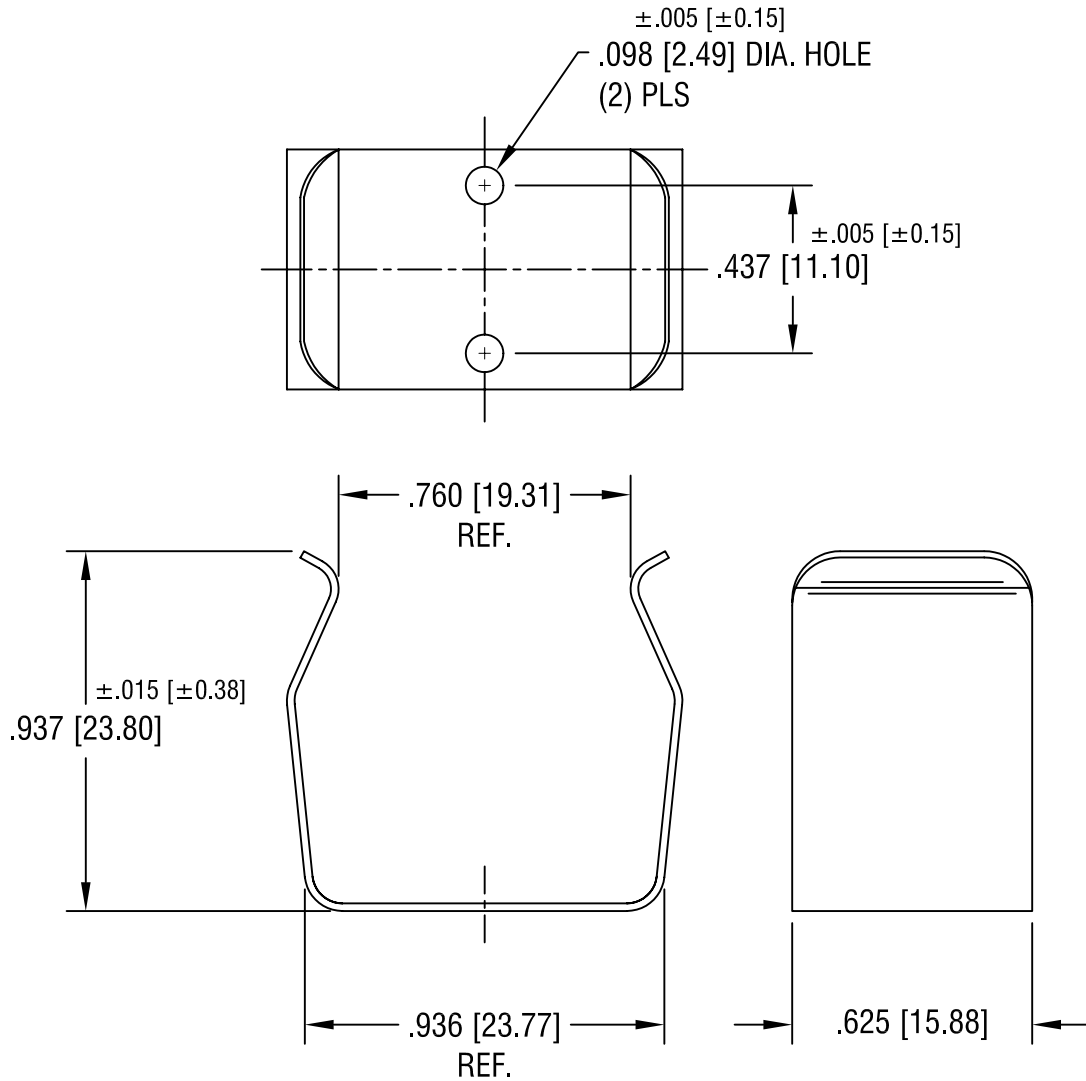


THIS DOCUMENT IS THE PROPERTY OF
KEYSTONE ELECTRONICS CORP. AND
SHALL NOT BE REPRODUCED, DISTRIBUTED
OR USED AS A BASIS FOR MANUFACTURE
WITHOUT PRIOR WRITTEN PERMISSION
FROM KEYSTONE ELECTRONICS CORP.



KEYSTONE ELECTRONICS CORP.

ASTORIA, N.Y. 11105-2017

PART NAME

'C' CELL CLIP

MATERIAL

$.020 [0.50]$ TH'K ALUMINUM 2024-T3

FINISH

-

DRN BY

BOONE

DATE

11.2.81

APPD

LN

SCALE

2X

TOLERANCES

INCH [MM]

DECIMAL $\pm .010 [\pm 0.25]$

ANGULAR $\pm 1^\circ$

UNLESS OTHERWISE SPECIFIED

CODE

C

DWG NO.

93

2.22.02	CHANGE AS PER ECN 02-017	C
10.16.98	CHANGE AS PER ECR 98-073	B
10.3.97	CHANGE AS PER ECR 97-048	A
DATE	DESCRIPTION	REV.