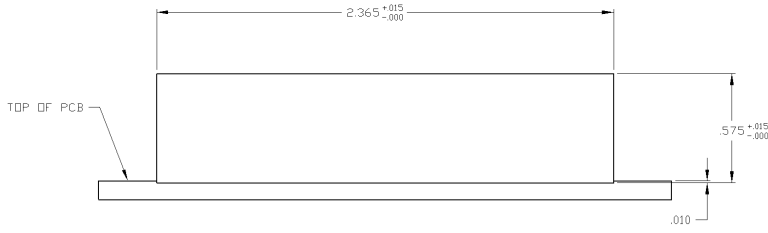
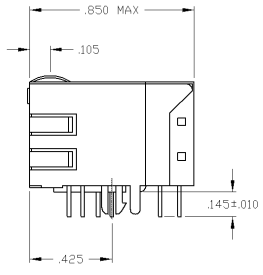
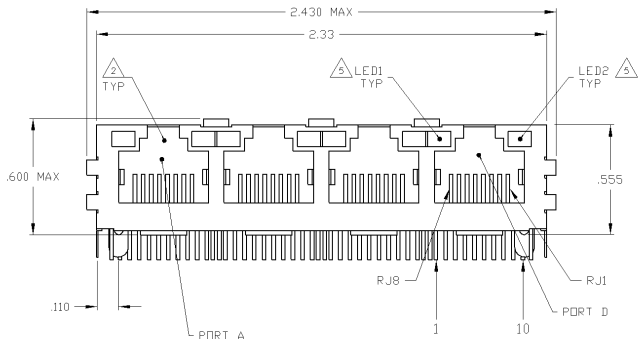
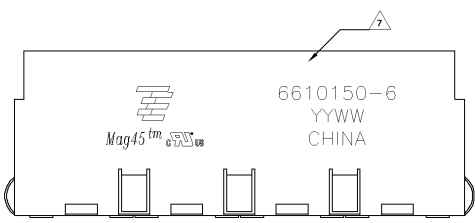


MECHANICAL:



1X4 SUGGESTED PANEL CUTOUT

- △ MATERIALS:
  - HOUSING - THERMOPLASTIC PET POLYESTER FLAMMABILITY RATING UL 94V-0
  - SHIELD - 0.010" THICK, C26800 BRASS PREPLATED WITH 30μINCH MIN SEMI-BRIGHT NICKEL SOLDER TABS POST DIPPED WITH 100μINCH MIN SAC SOLDER
  - MOD JACK CONTACTS - 0.0157" X 0.018" PHOSPHOR BRONZE, 50μINCH MIN OVERALL NICKEL UNDERPLATE WITH SELECT 55μINCH MIN HARD GOLD FINISH PLATE
  - SOLDER TAILS WITH 100μINCH MIN MATTE TIN AND/OR SAC SOLDER DIP
  - LIGHT EMITTING DIODE(S) - DIFFUSED EPOXY LENS, 0.020" X 0.020" CARBON STEEL WIREFRAME LEADS PRE-PLATED WITH 80μINCH SILVER OVER 40μINCH NICKEL UNDERPLATE OVER 40μINCH COPPER UNDERPLATE, POST-PLATED WITH 100μINCH MIN MATTE TIN AND/OR SAC SOLDER DIP OR PURE TIN SOLDER DIP
- △ RJ45 JACK CAVITY CONFORMS TO FCC RULES AND REGULATIONS PART 68, SUB PART F.
- △ MAGNETICS
  - IMPEDANCE: 100 OHMS
  - TURNS RATIO (CHIP CABLE): 1:1 ALL FOUR PAIRS
  - OPEN CIRCUIT INDUCTANCE (OCL): 35μH MIN @ 100MHz, 0 IVRMS, 50μDC BIAS FROM PFC TO 70%, ALL FOUR PAIRS
  - ALL FOUR PAIRS BI-DIRECTIONAL
  - PERFORMANCE @ 25°C
    - INSERTION LOSS (IL): 1.1dB MAX FROM 0.5MHz TO 100MHz
    - RETURN LOSS (RL): 18dB MIN FROM 0.5MHz TO 40MHz
    - 12-20LOG(F/80dB) MIN FROM 40 MHz TO 100MHz
    - CROSSTALK ATTENUATION: 35dB MIN FROM 0.5MHz TO 40MHz
    - 35-20LOG(F/80dB) MIN FROM 40 MHz TO 100MHz
    - COMMON MODE REJECTION RATIO (CMRR): 30dB MIN FROM 0.5MHz TO 100MHz
    - ISOLATION VOLTAGE: COMPLIES WITH IEEE802.3 2002, PARA 40.6.1.1, ITEM b
- 4. OPERATING TEMPERATURE: FROM 0°C TO -70°C.
- △ THE LED WITH 250 OHM RESISTORS, LED IS DRIVEN WITH 5V VOLTAGE AND THE MAX OPERATING CURRENT IS 20mA
- LED COLOR (DOMINANT WAVELENGTH (d0)): GREEN 568 nm TYP. AT VF-5V  
 FORWARD CURRENT (IF): GREEN 12 mA TYP. AT VF-5V  
 DOMINANT WAVELENGTH (d0): YELLOW 588 nm TYP. AT VF-5V  
 FORWARD CURRENT (IF): YELLOW 13 mA TYP. AT VF-5V
- △ INDICATED MAGNETIC CONNECTIONS ARE SYMMETRICAL AND SUPPORT AUTO-IND/INDX
- △ TYCO ELECTRONICS LOGO, PART NUMBER, DATE CODE, COUNTRY OF ORIGIN AND AGENCY APPROVAL MARKING IN APPROXIMATE LOCATION SHOWN.
- △ THE PART IS RECOMMENDED FOR WAVE SOLDERING PROCESS, PEAK WAVE SOLDERING TEMPERATURE IS 265°C MAX, 10 SECONDS MAX.

GREEN/YELLOW	GREEN/YELLOW	6610150-6
LED1	LED2	PART NUMBER

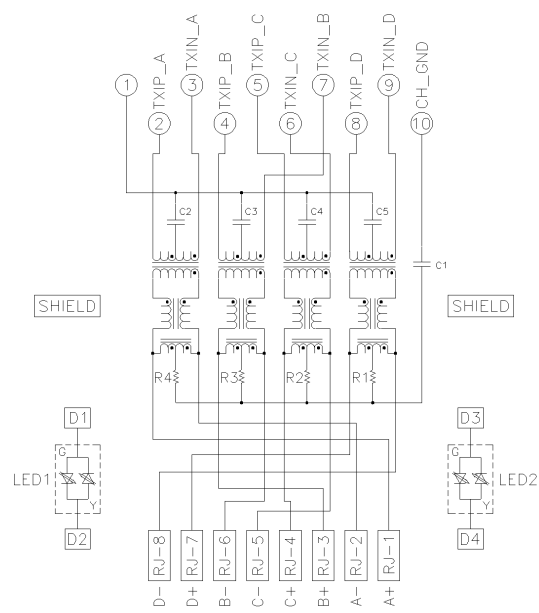
THIS DRAWING IS A CONTROLLED DOCUMENT

DATE	REV	BY	CHKD	APPD	DESCRIPTION
08/22/2008	1	AA	AA	AA	1X4 MAG45(TN) MODULAR JACK, 702 SCHEMATIC, (10 PIN HORIZONTAL), 702 SERIES GABIT CIRCUIT, SHIELDED, WITH BI-COLOR LEADS

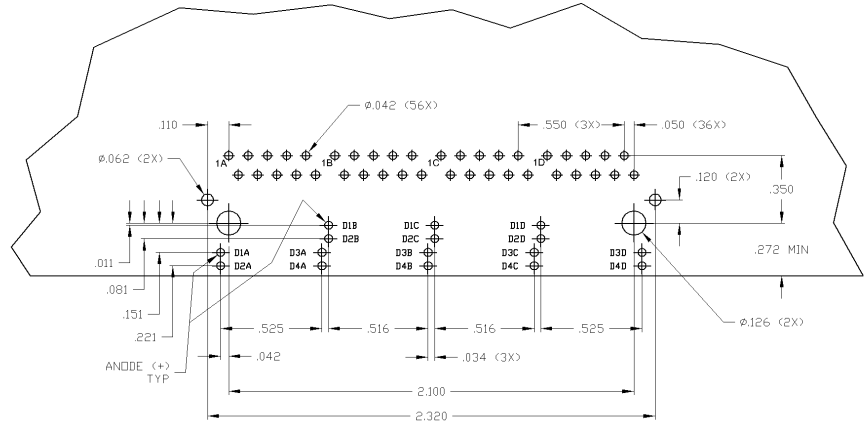
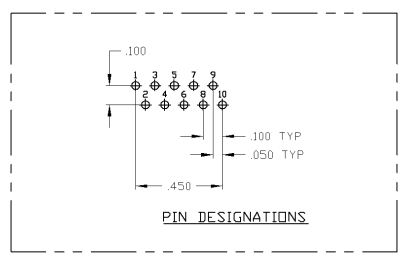
SCALE: 4:1

CUSTOMER DRAWING

**7G07 SERIES GIGABIT CIRCUIT**



C1 = 1000pF, 2kV CAPACITOR  
 R1-R4 = 75 OHMS, 1/16W RESISTORS  
 C2-C5 = 0.1µF, 50V CAPACITORS



**SUGGESTED PCB LAYOUT**  
(Component Side)

THIS DRAWING IS A CONTROLLED DOCUMENT.		REV	DATE	ISSUED BY	Yves Ducharme	OPERATION
		AA	22	100000000	Hardware PA 11250-3008	
DRAWING	100000000	REV	DATE	ISSUED BY	Yves Ducharme	OPERATION
100000000	100000000	AA	22	100000000	Hardware PA 11250-3008	
DESCRIPTION		REV	DATE	ISSUED BY	Yves Ducharme	OPERATION
1X4 MAG45(TN) MODULAR JACK, PCB SCHEMATIC, (10 PIN HORIZONTAL), 7G07 SERIES GIGABIT CIRCUIT, SHIELDED, WITH BI-COLOR LEADS		AA	22	100000000	Hardware PA 11250-3008	
SHEET		REV	DATE	ISSUED BY	Yves Ducharme	OPERATION
1		AA	22	100000000	Hardware PA 11250-3008	
CUSTOMER DRAWING		REV	DATE	ISSUED BY	Yves Ducharme	OPERATION
		AA	22	100000000	Hardware PA 11250-3008	