

4

3

2

1

THIS DRAWING IS UNPUBLISHED.

RELEASED FOR PUBLICATION

© COPYRIGHT BY TYCO ELECTRONICS CORPORATION.

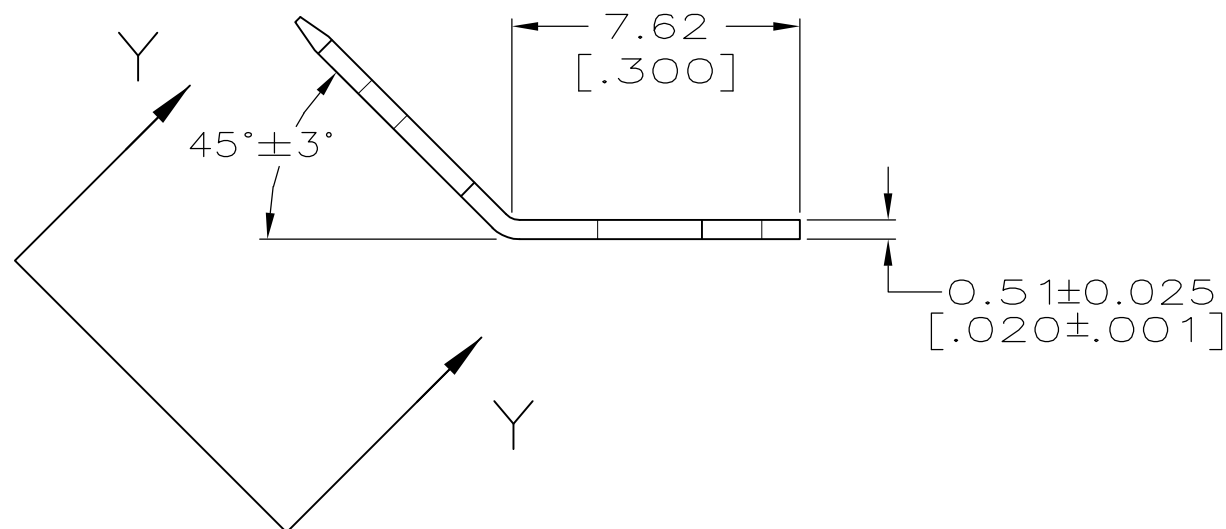
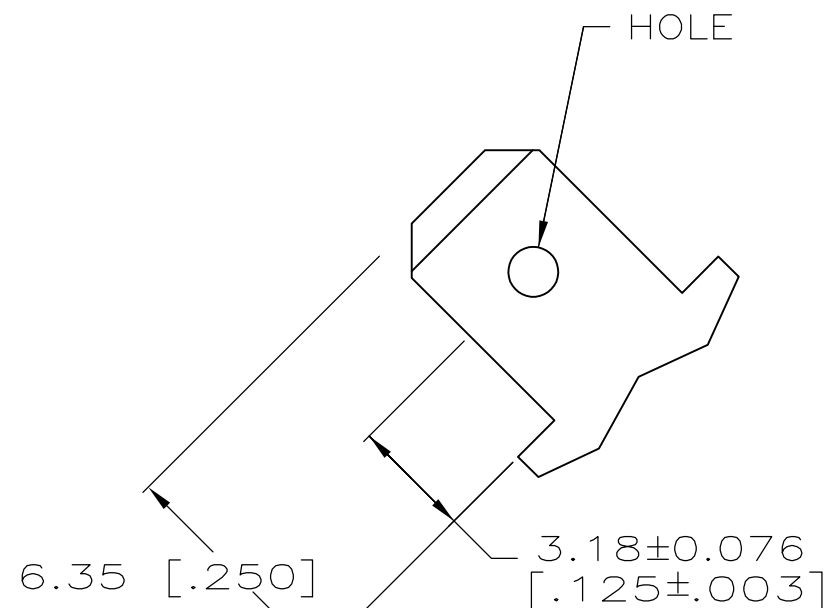
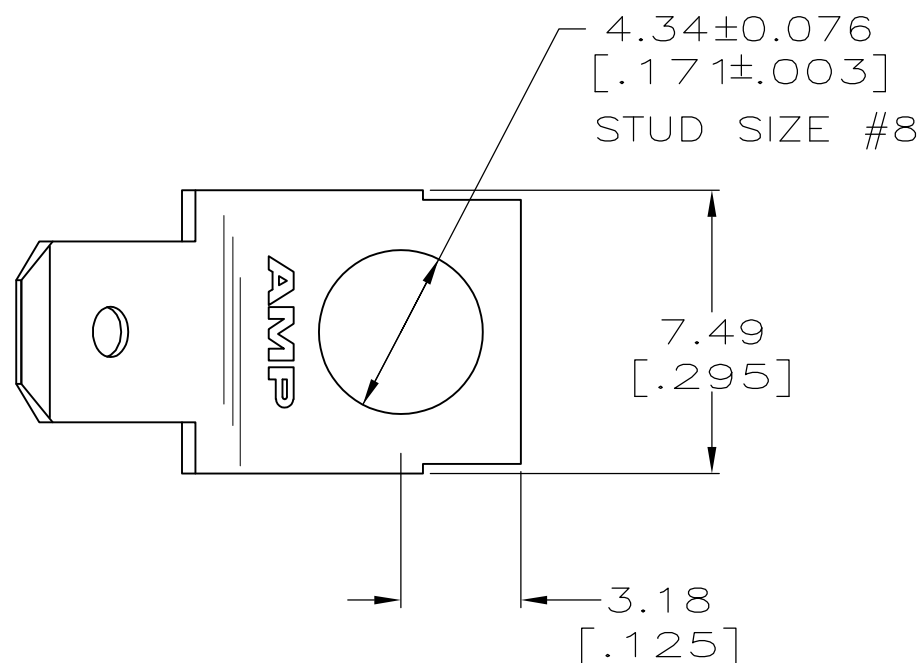
ALL INTERNATIONAL RIGHTS RESERVED.

LOC AF DIST 50

REVISIONS

P	LTR	DESCRIPTION	DATE	DWN	APVD
	D	REVISED PER ECR-10-004058	08JUN10	HMR	PD

1 SUPPLIED IN LOOSE PIECE.



61664-1
PART NO.

THIS DRAWING IS A CONTROLLED DOCUMENT.		DWN JR RUTH 1/10/97	Tyco Electronics Corporation Harrisburg, PA 17105-3608				
DIMENSIONS: mm [INCHES]		CHK MS FEHER 1/10/97					
TOLERANCES UNLESS OTHERWISE SPECIFIED:		APVD J HUZVAR 1/10/97	NAME				
0 PLC ± - 1 PLC ± - 2 PLC ± 0.38 [.015] 3 PLC ± - 4 PLC ± - ANGLES ± -		PRODUCT SPEC	TAB, FASTON, 4.75 [.187] SERIES				
MATERIAL 082 BRASS		FINISH TIN	APPLICATION SPEC	SIZE A3	CAGE CODE 00779	DRAWING NO C-61664	RESTRICTED TO
CUSTOMER DRAWING			WEIGHT -	SCALE 5:1	SHEET 1 OF 1	REV D	