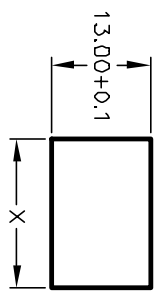
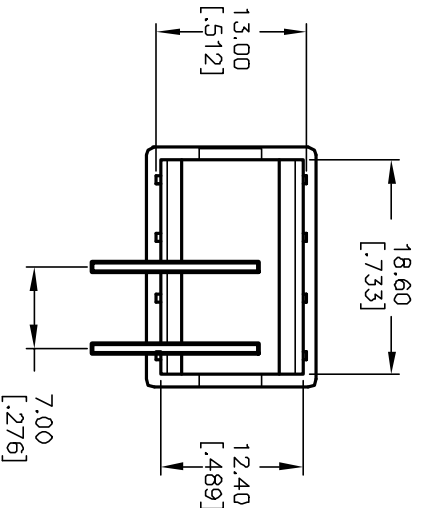
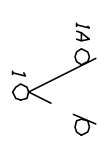
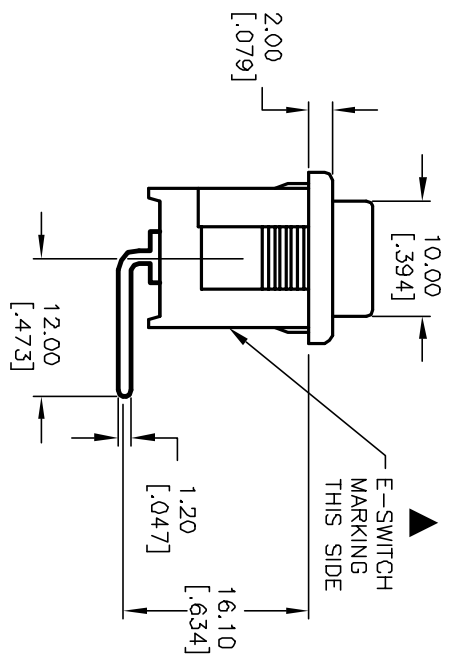
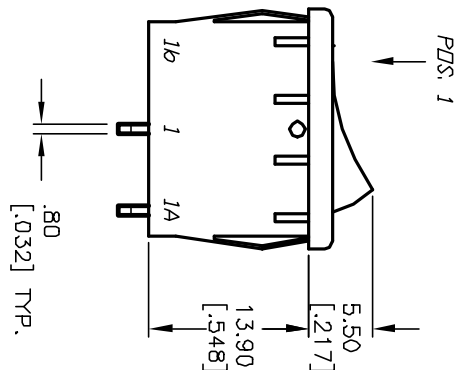


PANEL THICKNESS	X dimension
0.75-1.25 [.030-.049]	19.2-.01 [.756]
1.25-2.0 [.049-.079]	19.4-.01 [.764]
2.0-3.0 [.079-.118]	19.8-.01 [.780]



PANEL CUTOUT
NOT TO SCALE

SWITCH FUNCTION	
POS. 1	POS. 2
DN	OFF
1-1a	OPEN



NOTES:

1. ALL DIMENSIONS IN MM [INCH]
2. GENERAL TOLERANCE: X.X=±0.4 X.XX=±0.25
3. TERMINAL NUMBERS FOR REF ONLY
4. RATING: 15A @ 125VAC OR 6A @ 250VAC
5. APPROVALS: (UL, CSA, VDE, NEMKO, SEMKO, FIMKO, DEMKO)
6. MATERIALS: TERMINALS: Silver Plated Copper Alloy CONTACTS: Coin Silver, Silver Plated
7. ELECTRICAL LIFE: 10,000 cycles
8. CONTACT RESISTANCE: <20 Mega Ω
9. INSULATION RESISTANCE: >1000 Mega Ω
10. DIELECTRIC STRENGTH: >1500 V 1 minute >3000 V between poles

E-SWITCH®

REV.	ECN No.	REVISION PART DESCRIPTION	DATE	CHKD	TITLE	SCALE	DATE	DR	DWG	REV
D	11664	REVISED PART DESCRIPTION	9/19/01	CJB	R1966A BLK BLK FR	1.5:1	1/23/96	MM	M301212	D
THE INFORMATION CONTAINED IN THIS DOCUMENT IS PROPRIETARY TO E-SWITCH AND IS NOT TO BE COPIED OR TRANSFERRED										