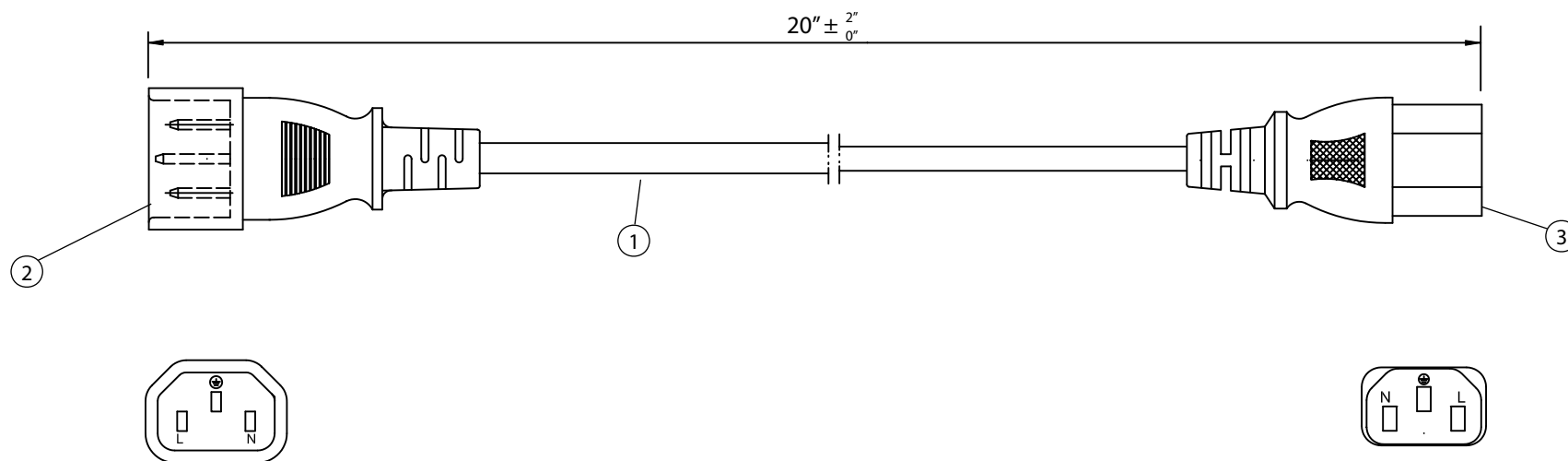


THESE DRAWINGS ARE THE PROPERTY OF QUALTEK ELECTRONICS AND NOT TO BE REPRODUCED FOR OR COMMUNICATED TO A THIRD PARTY WITHOUT THE EXPRESS WRITTEN PERMISSION OF AN OFFICER OF QUALTEK ELECTRONICS.

REVISION			
REV.	DESCRIPTION	DATE	APPROVED
B	RoHS Compliancy	06-01-06	D.P.



NOTES:

1. CORDAGE: SJT, 18AWG / 3C, UNSHIELDED CEE COLOR CODE, TEMP. RATING 60°C, RATING: 125V 10A, JACKET COLOR: BLACK
2. PLUG: IEC 60320 C-14
3. CONNECTOR: IEC 60320 C-13
4. APPROVALS: UL, cUL
5. ROHS COMPLIANT

CONTROLLED

		Qualtek Electronics Corp.		
		PPC DIVISION		
		Part Number: 318004-01		RoHS Compliant
		Description: POWER CORD		
Dim range (mm)	Tolerance +/- (mm)	UNIT: in		REV. B
0-1	0.15	Drawn / Date		Approved / Date
1-6	0.20	B. Zhang		JJH / 06-12-02
6-18	0.30	06-12-02		06-12-02
18-50	0.50	Checked / Date		
50-120	0.70			
120-250	0.90			
250-500	1.20			