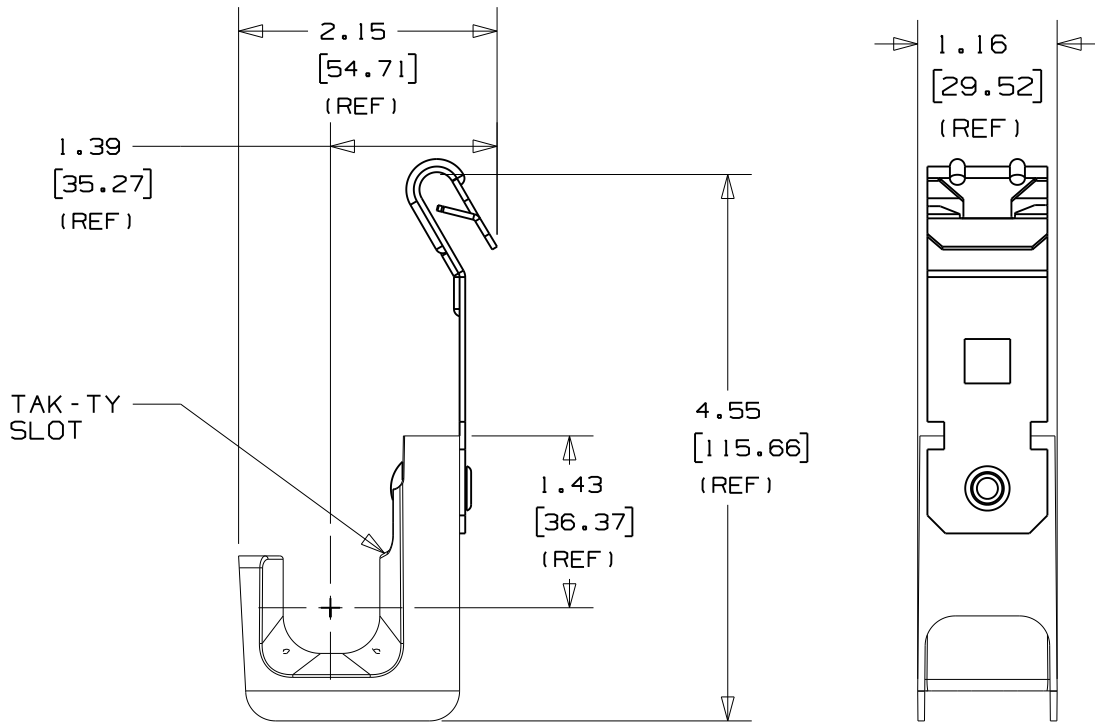
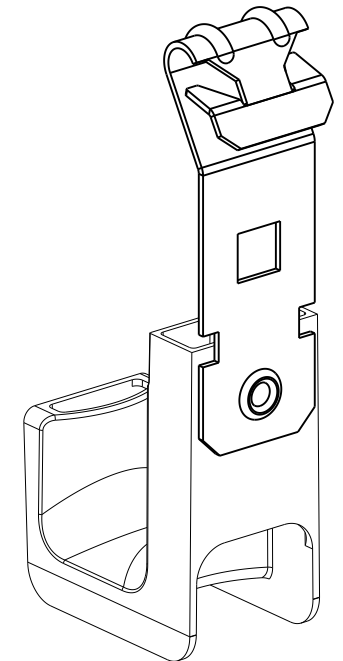


THIS COPY IS PROVIDED ON A RESTRICTED BASIS AND IS NOT TO BE USED IN ANY WAY DETRIMENTAL TO THE INTERESTS OF PANDUIT CORP.



| PANDUIT PART NO. | FLANGE THICKNESS | WEIGHT lbs 10 (g) pcs |
|------------------|---------------------------------|-----------------------------|
| JP75ZP- ---- | 0.0625 - 0.25 (1.58) - 6.35) | 0.86 (390.09) |



NOTES:

- SEE CURRENT PRICE SHEET FOR PART NUMBER SUFFIX DESIGNATION FOR PACKAGE SIZE AND PRODUCT COLOR.
- HOOK MATERIAL: NYLON 6/6,
CLIP MATERIAL: SPRING STEEL
RIVET MATERIAL: ALUMINUM
- PRODUCT IS DESIGNED TO SUPPORT A MAXIMUM OF 3/4" (19.05) DIAMETER BUNDLE. MAXIMUM RECOMMENDED STATIC LOAD: 15 lbs.
- PRODUCT INCORPORATES FEATURES ALLOWING USER TO RETAIN CABLE BUNDLES IN J-PRO J-HOOK WITH TAK-TY CABLE TIES UP TO 3/4" WIDE.
- PRODUCT MARKINGS:
cULus logo and statement:
"SUITABLE FOR USE IN AIR HANDLING SPACES IN ACCORDANCE WITH SECTION 300-22 (C) & (D) OF THE NATIONAL ELECTRIC CODE."
ULC logo and statement:
"IN ACCORDANCE WITH CAN/ULC S-102.2 IN SINGLE UNITS OR PAIRS, 4 ft (1220mm) MIN. SPACING, FSR=0, SDC=20."

DIMENSIONS IN BRACKETS ARE METRIC [mm]

CAD FILENAME/LAYERS 10K016CN_DC_GB3043BJ/01A

PANDUIT CORP. TINLEY PARK, ILLINOIS

J-PRO J-HOOK WITH
Z-PURLIN CLIP
(JP75ZP- ----)

UNLESS OTHERWISE SPECIFIED,
DIMENSIONAL TOLERANCES ARE:
(.X) ±0.05 (1.31) (.XXX) ±0.010 (0.25)
(.XX) ±0.02 (0.5) ANGLES ± 5°

UNLESS OTHERWISE SPECIFIED,
ALL DIMENSIONS ARE GIVEN
IN INCHES, THIRD ANGLE PROJECTION.

| REV | DATE | BY | CHK | DESCRIPTION | ECN - R | CUST | SUP | OC | DRAWN BY | JAD | MAT'L: | SCALE | DRAWING NO. | DWG SIZE |
|-----|---------|------|-----|-------------------------|----------|------|-----|----|----------|--------|------------|-------|-------------|----------|
| OIA | 11/9/10 | ARHA | DJW | UPDATED FILENAME FORMAT | GB3043BJ | OIA | KLN | | | JAD | | NONE | | |
| R | 1/5/06 | JAD | | INITIAL RELEASE | GB3043BJ | R | | | | 1/5/06 | SEE NOTE 2 | | GB3043BJ | A |
| | | | | | | | | | CHK'D | KLN | | | | |