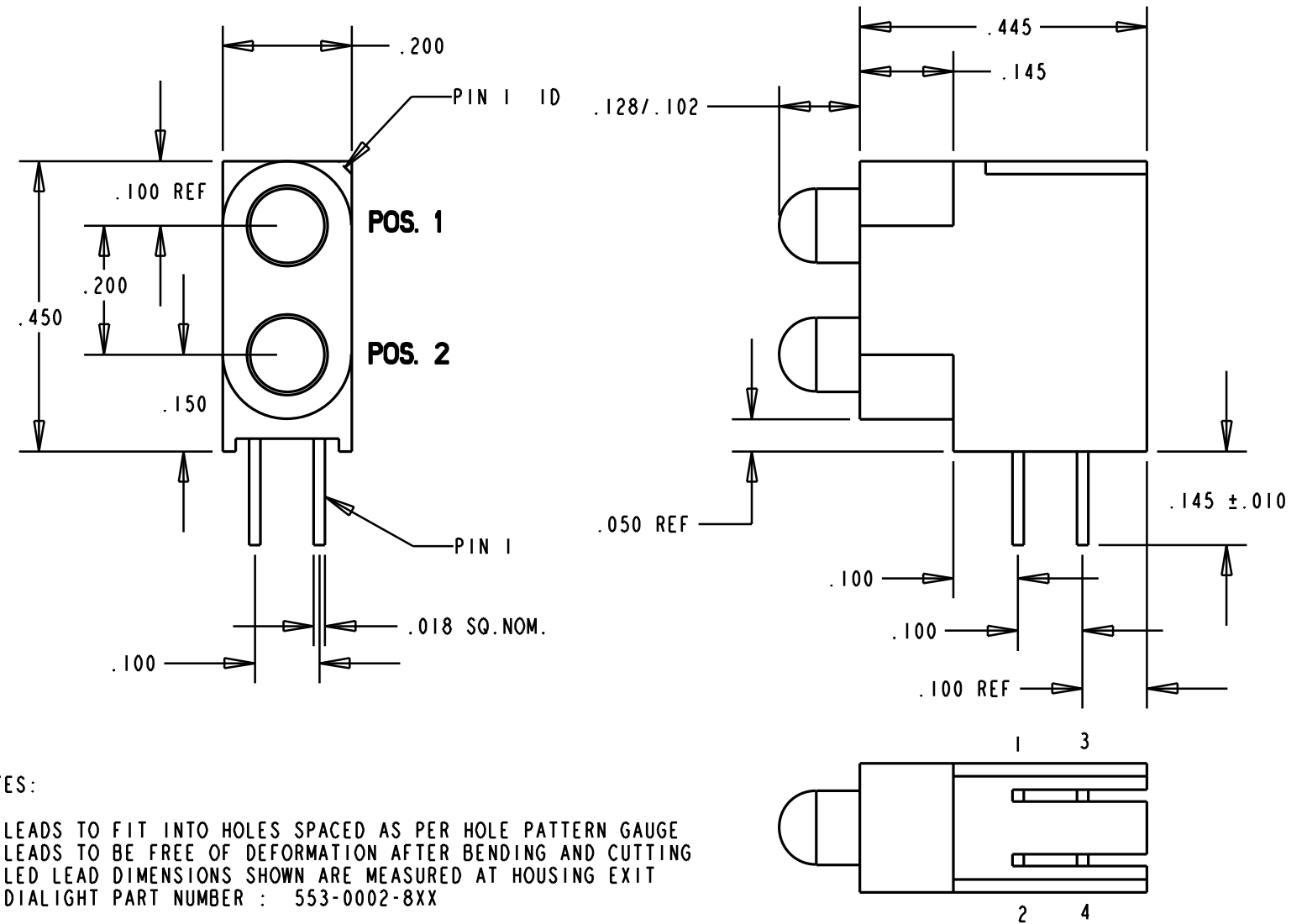


PART NUMBER	POS. 1	POS. 2
553-0002-801	RED	RED
553-0002-802	GREEN	GREEN
553-0002-803	YELLOW	YELLOW
553-0002-804	YELLOW	RED
553-0002-805	GREEN	YELLOW
553-0002-806	RED	YELLOW
553-0002-810	GREEN	RED
553-0002-811	RED	GREEN
553-0002-812	YELLOW	GREEN

REV.	ECN NO.	REVISIONS	DRN.	CKD.	APP.	DATE
---	---	NEW RELEASE	---	---	NO	11-14-86
A	---	-----	TP	---	NO	1-8-87
B	---	ADD MISSING PART No RE-DRAWN TO PRO/E	AV			

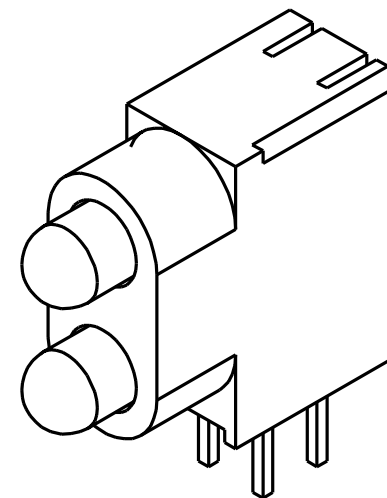
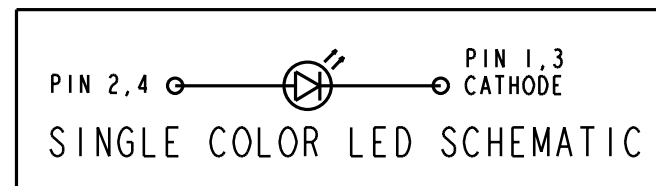
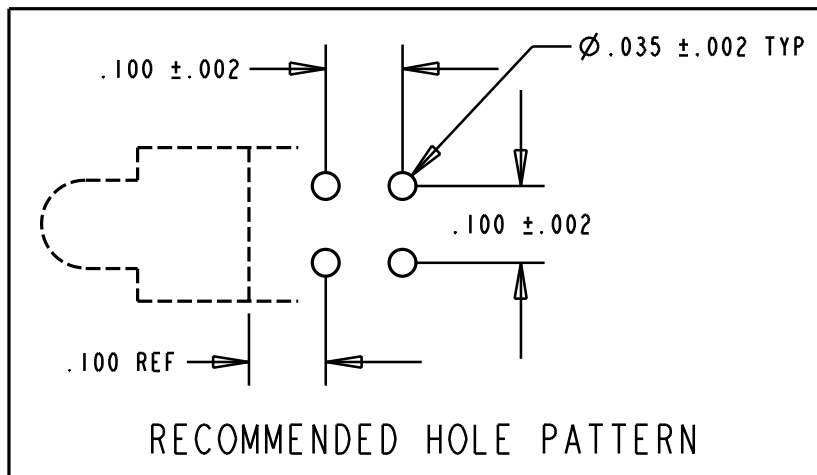
OPERATING CHARACTERISTICS AT 25°C AMBIENT						
CHARACTERISTICS		MIN	TYP	MAX	UNITS	TEST CONDITIONS
LUMINOUS INTENSITY	RED	1.0	2.0		mcd	$I_f = 10 \text{ mA}$
	GREEN	1.0	2.0			
	YELLOW	1.0	2.0			
FORWARD VOLTAGE	RED		2.0	2.2	V	$I_f = 10 \text{ mA}$
	GREEN		2.1	2.3		
	YELLOW		2.0	2.2		
PEAK WAVELENGTH	RED		615-635		nm	
	GREEN		560-580			
	YELLOW		584-591			

ABSOLUTE MAXIMUM RATING AT 25°C AMBIENT			
			UNITS
DC POWER DISSIPATION	ALL	85	mW
FORWARD DC CURRENT	ALL	20	mA
LEAD SOLDERING TEMPERATURE, 7 SEC.,	ALL	270	°C
STORAGE TEMPERATURE	ALL	-40 TO 100	°C



NOTES:

- LEADS TO FIT INTO HOLES SPACED AS PER HOLE PATTERN GAUGE
- LEADS TO BE FREE OF DEFORMATION AFTER BENDING AND CUTTING
- LED LEAD DIMENSIONS SHOWN ARE MEASURED AT HOUSING EXIT
- DIALIGHT PART NUMBER : 553-0002-8XX



THIS DRAWING AND THE CONTENTS HEREIN ARE CONFIDENTIAL AND THE SOLE PROPERTY OF DIALIGHT. REPRODUCTION OF THIS DRAWING OR CONSTRUCTION OF ANY PARTS WITHIN THIS DRAWING ARE FORBIDDEN WITHOUT THE WRITTEN CONSENT OF DIALIGHT.		
SCALE 4:1	DRAWING NUMBER	REV
ALL DIM'S IN: INCHES	C-15139	B
TOLERANCES: UNLESS OTHERWISE SPECIFIED	TITLE	
FRACTIONS: ±1/64	BI-LEVEL CBI	
DECIMALS (.XX): ±.020	MATERIAL	
DECIMALS (.XXX): ±.015	Dialight	
DECIMALS (.XXXX):	1913 ATLANTIC AVE. MANASQUAN, N.J. 08736	
ANGLES: ±3°	SHEET OF	
FINISH:	FAMILY TABLE:	
FSCM 83330		