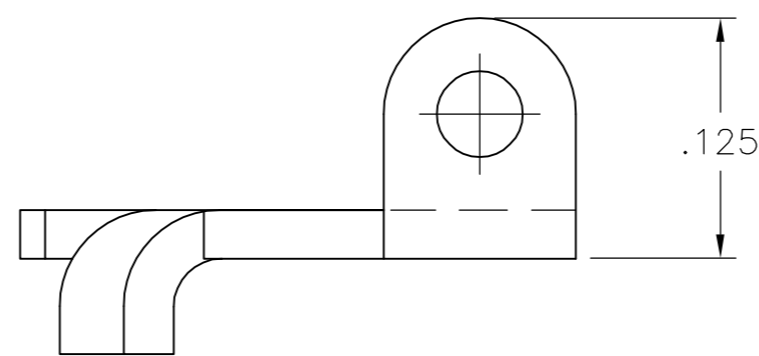
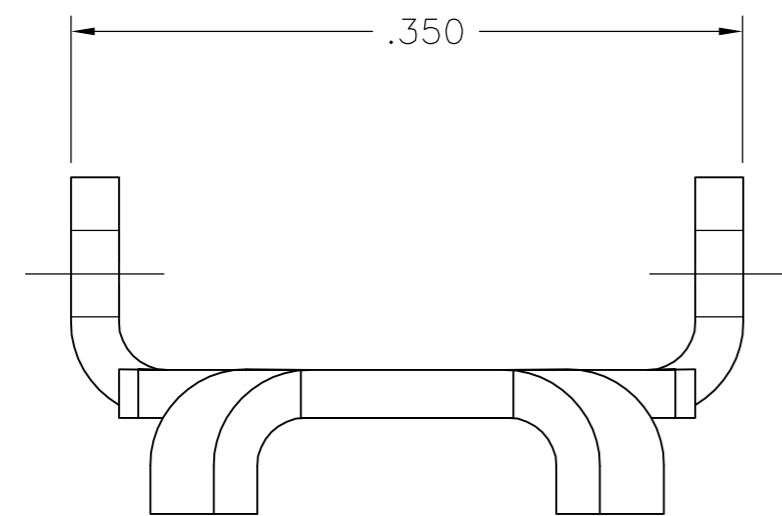
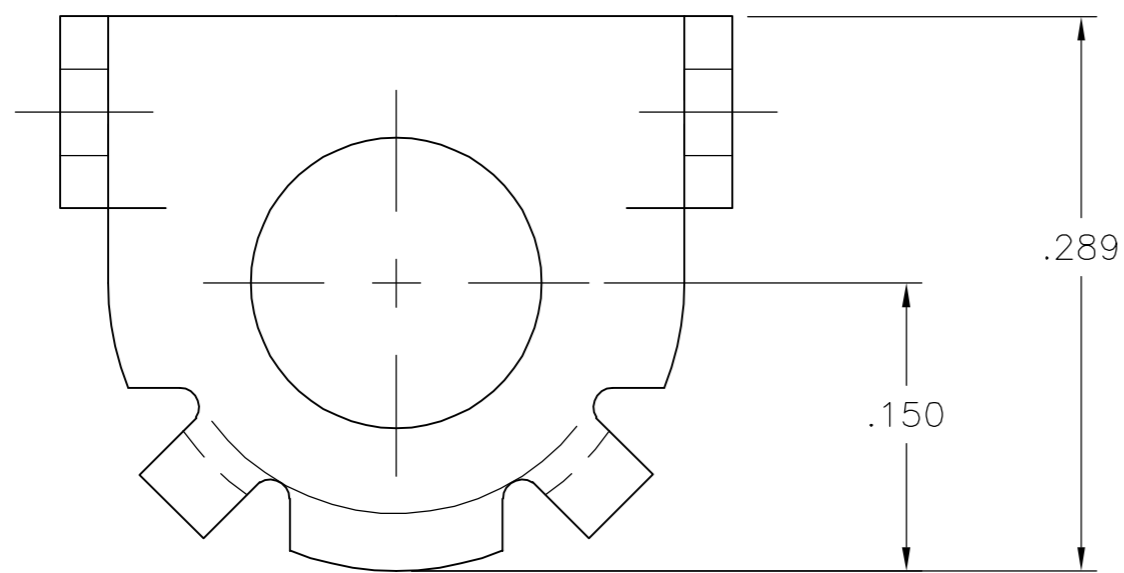


THIS DRAWING IS UNPUBLISHED. RELEASED FOR PUBLICATION
 © COPYRIGHT BY TYCO ELECTRONICS CORPORATION. ALL RIGHTS RESERVED.

LOC	DIST	REVISIONS			
P	LTR	DESCRIPTION	DATE	DWN	APVD
GP	00	A	REVISED PER ECO-06-025935	12/FEB/07	ZMR WLM

1. ALL DIMENSIONS SHOWN ARE FOR REFERENCE ONLY UNLESS OTHERWISE SPECIFIED.
2. BRIGHT ZINC PLATE WITH CLEAR HEXAVALENT CHROMATE COATING.
3. BRIGHT ZINC PLATE WITH CLEAR TRIVALENT CHROMATE COATING.



	3	552101-3
OBSOLETE	2	552101-1
	FINISH	PART NUMBER

THIS DRAWING IS A CONTROLLED DOCUMENT.		DWN	B. MCMASTER	16JAN06	 Tyco Electronics Corporation Harrisburg, PA 17105-3608
DIMENSIONS: INCHES		CHK	W. MILLHIMES	16JAN06	
TOLERANCES UNLESS OTHERWISE SPECIFIED:		APVD	W. MILLHIMES	16JAN06	
0 PLC ± - 1 PLC ± - 2 PLC ± - 3 PLC ± - 4 PLC ± - ANGLES ± - FINISH		PRODUCT SPEC	NAME		
MATERIAL		APPLICATION SPEC		MOUNTING BRACKER, BAIL	
CARBON STEEL		WEIGHT		SIZE	
		-		A2	
		CUSTOMER DRAWING		CAGE CODE	
				00779	
				DRAWING NO	
				C=552101	
				RESTRICTED TO	
				-	
				SCALE	
				10:1	
				SHEET	
				1 of 1	
				REV	
				A	