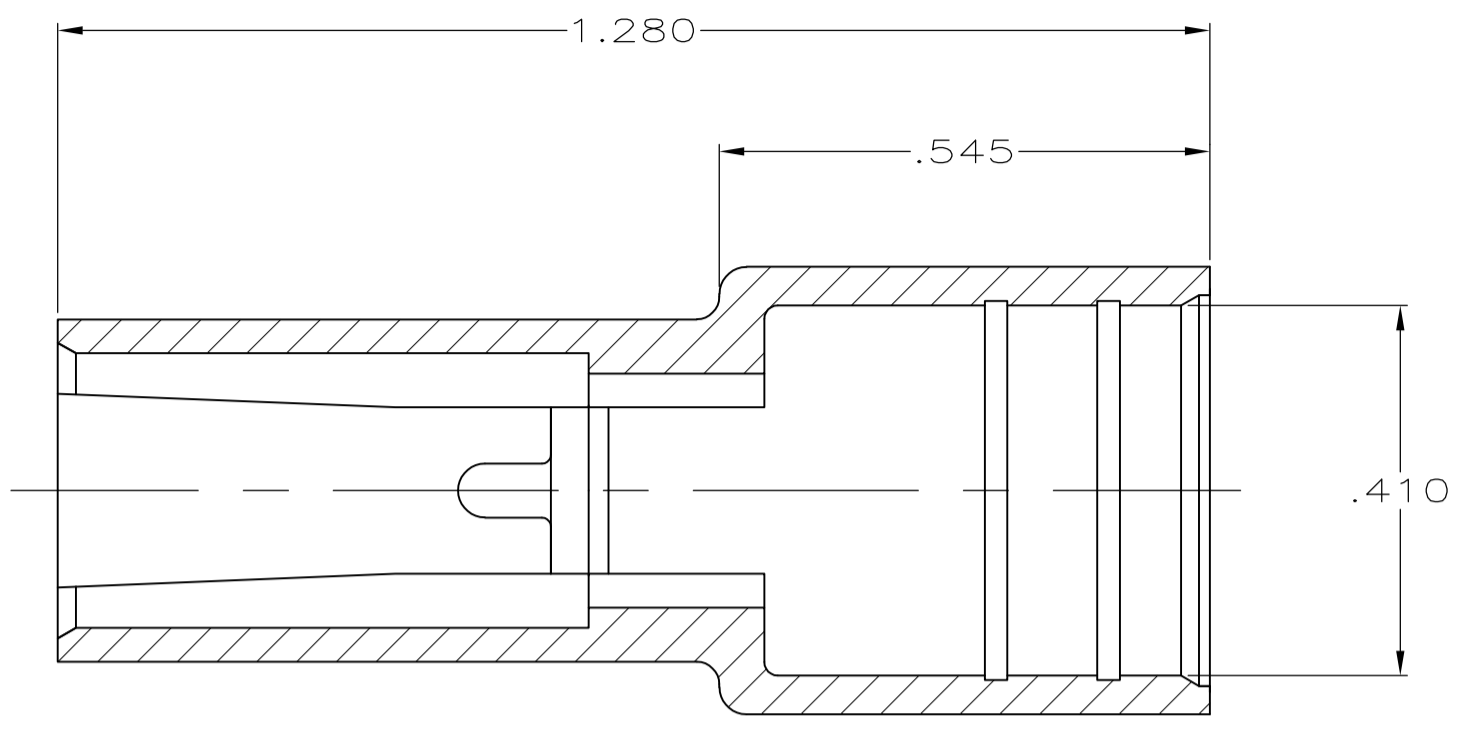
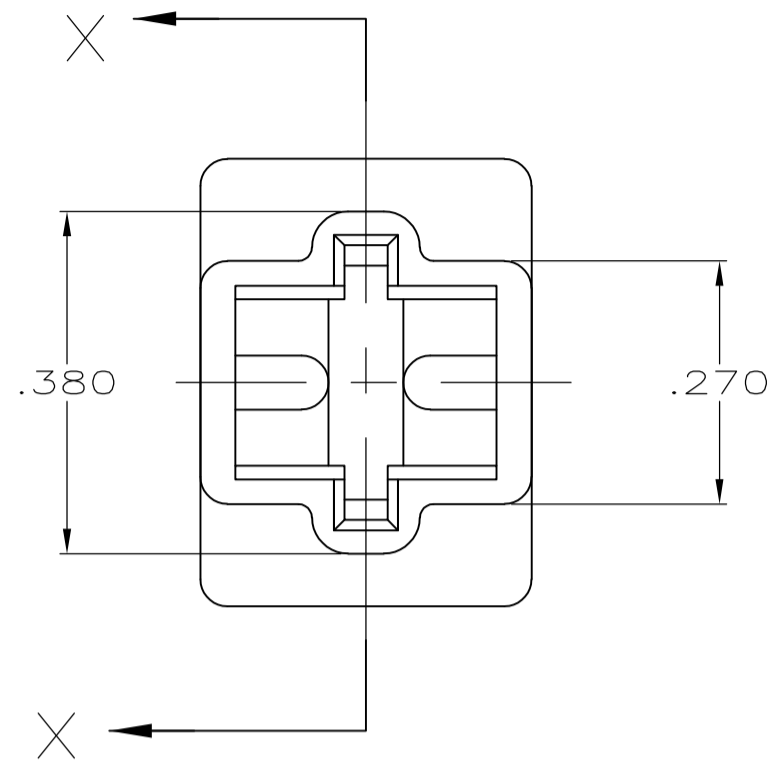
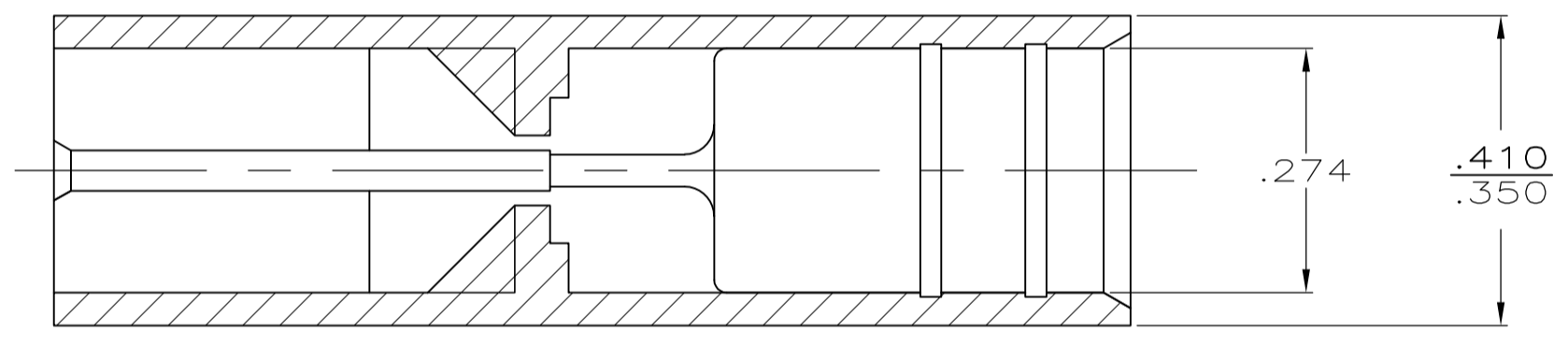
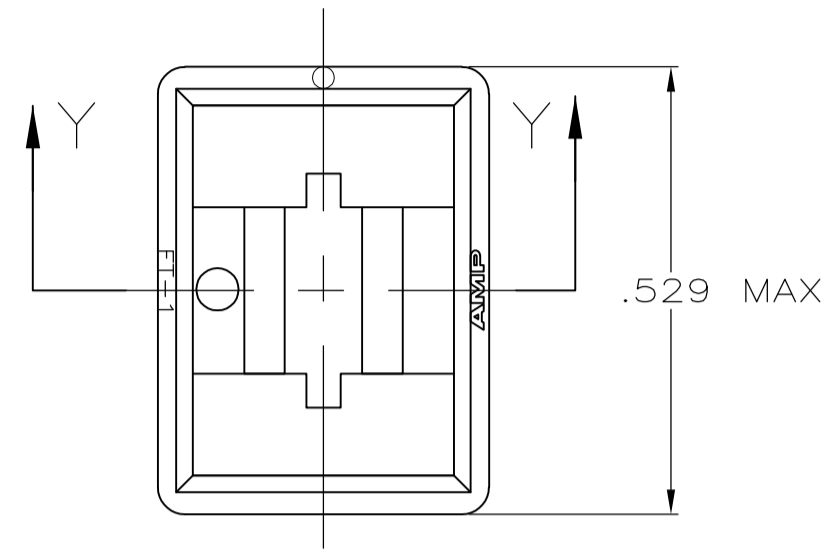


LOC	DIST	REVISIONS			
P	LTR	DESCRIPTION	DATE	DWN	APVD
AF	50	AE2	REVISED PER ECO-11-004917	11MAR11	RK HMR



SECTION X-X



SECTION Y-Y  
 ROTATED 90° CW

1 OBSOLETE PARTS: OBSOLETE CIS STREAMLINING PER D.RENAUD/D.SINISI

1	OBSELETE	COLOR	MATERIAL	PART NO
	OBSELETE	BLACK	4/6 NYLON UL 150° C	<del>1-480053-0</del>
	OBSELETE	DYED GREY	6/6 NYLON	<del>480053-9</del>
	OBSELETE	DYED PINK	6/6 NYLON	<del>480053-8</del>
	SUPERSEDED BY 480053-3	DYED BLUE	6/6 NYLON	<del>480053-7</del>
	SUPERSEDED BY 480053-3	DYED GREEN	6/6 NYLON	<del>480053-6</del>
		RED	6/6 NYLON	480053-5
		BLACK	6/6 NYLON	480053-4
		NATURAL	6/6 NYLON	480053-3
	SUPERSEDED BY 480053-4	BLACK	CYCOLAC	<del>480053-2</del>
	SUPERSEDED BY 480053-3	CLEAR	TENITE	<del>480053-1</del>
		COLOR	MATERIAL	PART NO

THIS DRAWING IS A CONTROLLED DOCUMENT FOR AMP INCORPORATED. IT IS SUBJECT TO CHANGE AND THE CONTROLLING ENGINEERING ORGANIZATION SHOULD BE CONTACTED FOR THE LATEST REVISION.

THIS DRAWING IS A CONTROLLED DOCUMENT.		DWN	JR RUTH	3/10/94	TE Connectivity
DIMENSIONS: MM[INCHES]		CHK	MS FEHER	3/10/94	
TOLERANCES UNLESS OTHERWISE SPECIFIED:		APVD	R BEAVER	3/10/94	
0 PLC	± -	PRODUCT SPEC		NAME	
1 PLC	± -	APPLICATION SPEC		HOUSING, TAB, FASTIN-FASTON, .250 SERIES	
2 PLC	± -	MATERIAL		SIZE	CAGE CODE
3 PLC	± .015	FINISH		DRAWING NO	RESTRICTED TO
4 PLC	± - ± -	SEE TABLE		A2	00779
MATERIAL SEE TABLE		FINISH SEE TABLE		DRAWING NO	
SEE TABLE		SEE TABLE		G-480053	
CUSTOMER DRAWING		SCALE		SHEET	
		5:1		1 OF 1	
				REV AE2	

480053