

THIS DRAWING IS UNPUBLISHED.

RELEASED FOR PUBLICATION

,19

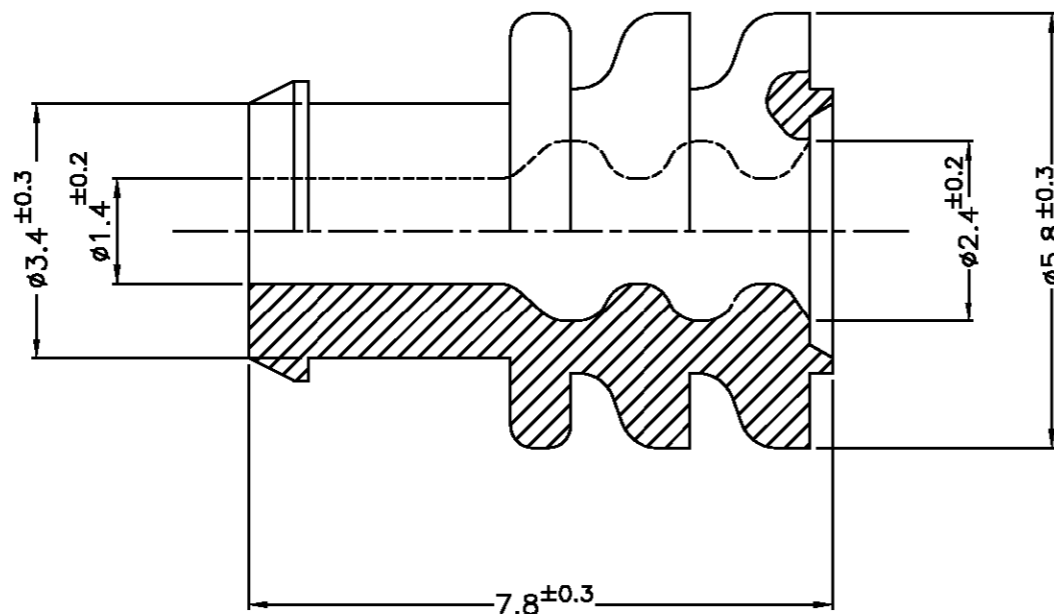
© COPYRIGHT 19

BY AMP INCORPORATED. ALL RIGHTS RESERVED.

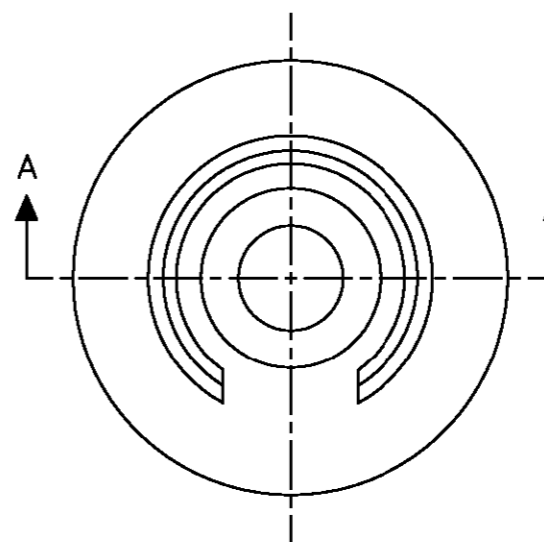
LDC DS

REVISIONS

P	LTR	DESCRIPTION	DATE	DWN	APVD
	0	RELEASED(FC00-0029-00)	'00 29/FEB	YD	CS
	A	REVISED(FC00-0068-00)	'00 31/MAY	YD	CS



SECTION A-A



NOTE :

P/N	MATERIAL	COLOR	HARNESS	INSULATION ϕ
368933-1	SILICONE	WHITE	(A) 45 ± 5°	ϕ 2.2-3.0mm

THIS DRAWING IS A CONTROLLED DOCUMENT FOR AMP INCORPORATED. IT IS SUBJECT TO CHANGE AND THE CONTROLLING ENGINEERING ORGANIZATION SHOULD BE CONTACTED FOR THE LATEST REVISION.

DIMENSIONS: MM		TOLERANCES UNLESS OTHERWISE SPECIFIED:		DWN		AMP KOREA. kyungsan, korea	
3rd ANGLE PROJECTION		0<XX<10 ± 0.2 10<XX<30 ± 0.25 30<XX<100 ± 0.3 ANGLES ± 3°		CHK		NAME	
MATERIAL		FINISH		APVD		NEW WIRE SEAL FOR JPT (TYPE II)	
				PRODUCT SPEC		SIZE	
				APPLICATION SPEC		CAGE CODE	
				WEIGHT 0.13 g		DRAWING NO	
						A3 00779	
						C= 3 6 8 9 3 3	
						SCALE 10/1 SHEET 1 OF 1 REV A	