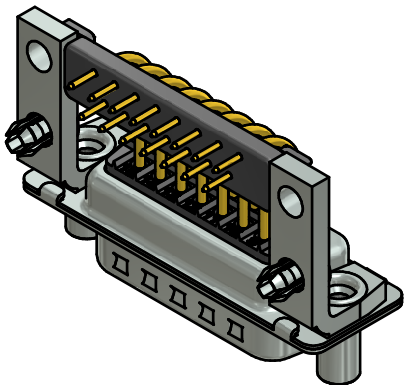
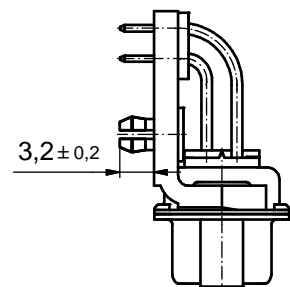
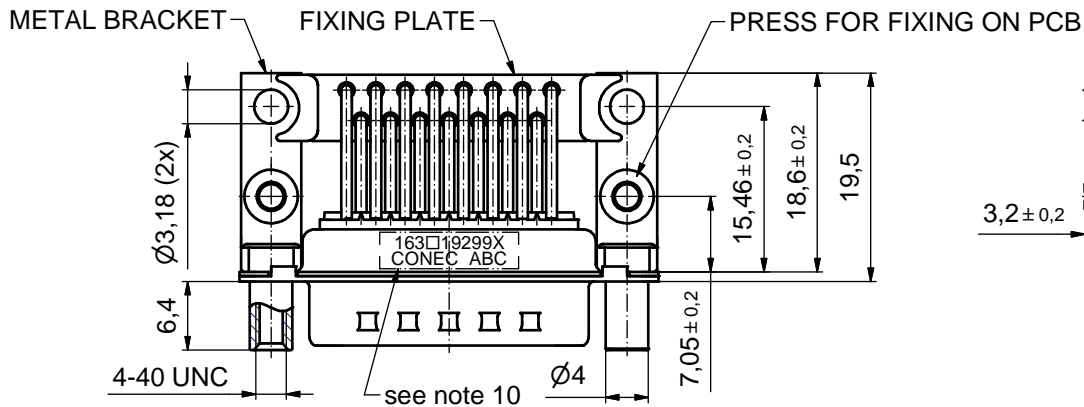
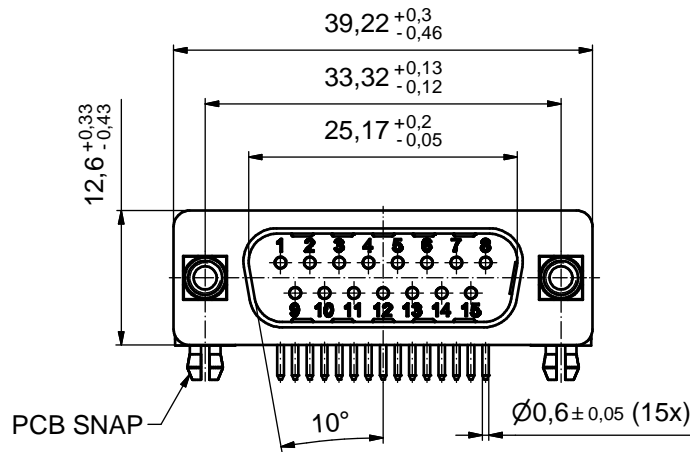
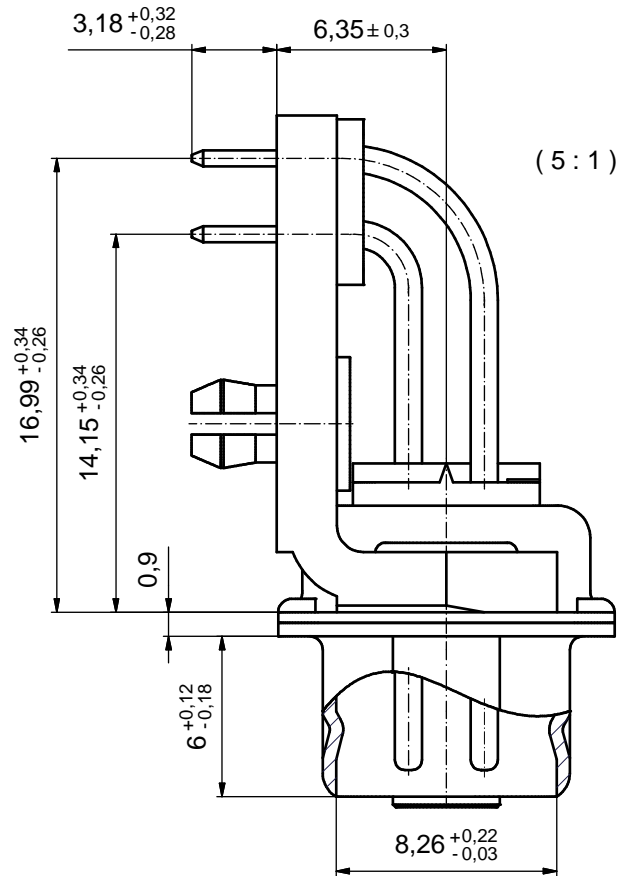


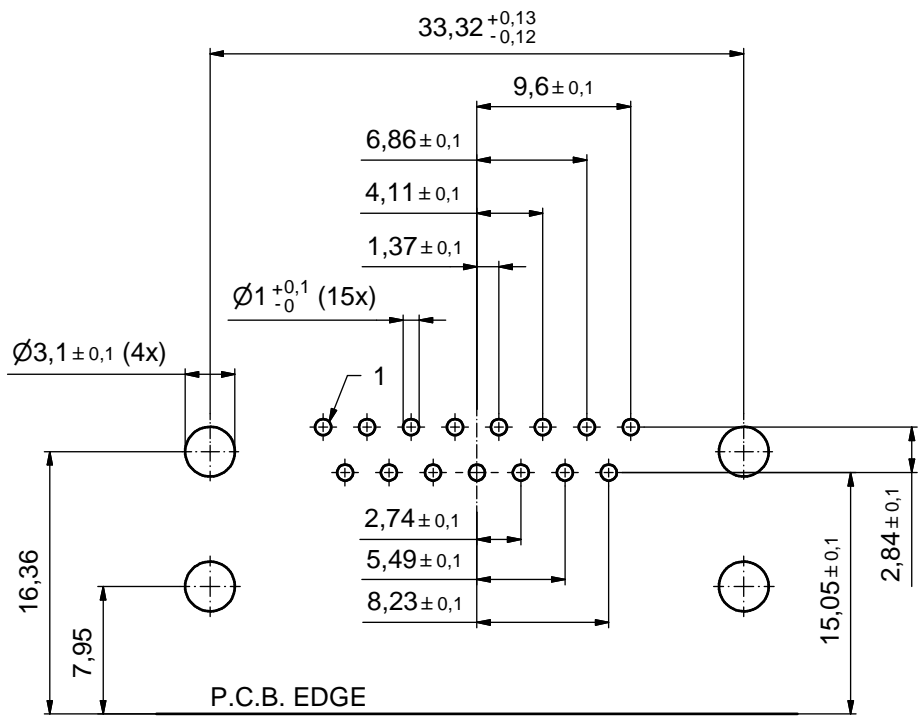
**NOTES:**

1. METALSHELLS: STEEL; min. 315µin TIN over 40-80µin NICKEL
2. INSULATORS: PBT GF UL 94 V-0; BLACK
3. CONTACTS: COPPER ALLOY; PLATING (SEE PART NO.)
  - PLEASE ADD A for GOLD FLASH over NICKEL (PREFERRED TYPE)
  - PLEASE ADD B for 20µin HARD GOLD over min. 50µin NICKEL
  - PLEASE ADD C for 30µin HARD GOLD over min. 50µin NICKEL
4. METAL BRACKETS: STEEL; min. 320µin TIN over 80µin NICKEL
5. THREADED LOCKS: COPPER ALLOY; min. 200µin TIN over 80µin NICKEL
6. PCB SNAPS: COPPER ALLOY; min. 200µin TIN over 80µin NICKEL  
PCB-HOLE:  $\varnothing 3,1 \pm 0,1$ ; PCB THICKNESS 1,6mm
7. FIXING-PLATE: PBT GF UL 94 V-0; BLACK
8. PCB HOLE DRILLINGS ON SHEET 2
9. MAXIMUM TORQUE VALUE FOR THREAD: 6 in.LB
10. CONNECTOR IS PART MARKED: **163□19299X CONEC ABC** (see note 3)



Directive 2002/95/EC RoHS compliant

THIS DRAWING MAY NOT BE COPIED OR REPRODUCED IN ANY WAY, AND MAY NOT BE PASSED ON TO A THIRD PARTY WITHOUT WRITTEN PERMISSION. OWNERSHIP AND COPYRIGHT OF CONEC GmbH DO NOT ALTER CAD DRAWING BY HAND	tolerance		dim. in mm	scale: 2:1 (5:1)		
				material: see notes		
	drawn	23.05.14	Schmidt	title: D-SUB MALE 90° 15pos. SOLDER PIN ANGLED 0.590inch threaded lock, metal bracket, fixing plate, snap		
	appd.	23.05.14	Lehmenkühler			
	norm					
d-old			dwg no:		DIN-A3	
a	Original				sh: 1	
rev.	description	date	name	part no: 163□19299X	(see note 3)	



P.C.B. HOLE DRILLINGS  
(P.C.B. TOP SIDE)

THIS DRAWING MAY NOT BE COPIED OR REPRODUCED IN ANY WAY, AND MAY NOT BE PASSED ON TO A THIRD PARTY WITHOUT WRITTEN PERMISSION. OWNERSHIP AND COPYRIGHT OF CONEC GmbH DO NOT ALTER CAD DRAWING BY HAND				tolerance		scale: 3:1
				dim. in mm		material: see sheet 1
				date	name	title: <b>P.C.B. HOLE DRILLINGS</b> D-SUB Male 90° 15pos. 0.590inch threaded lock, metal bracket, fixing plate, snap
				drawn 23.05.14	Schmidt	
				appd. 23.05.14	Lehmenkühler	
				norm		dwg no:
			d-old		16K1A3459 DIN-A3 sh: 2	
rev.	description	date	name	part no: see sheet 1		