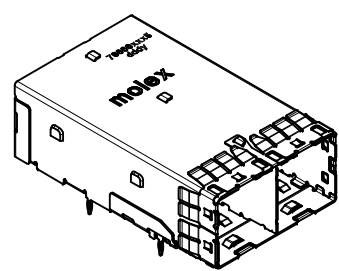
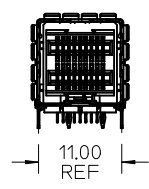
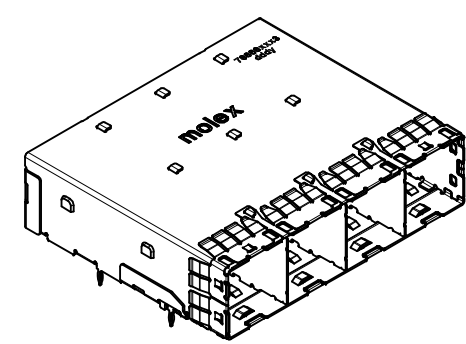
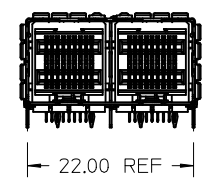


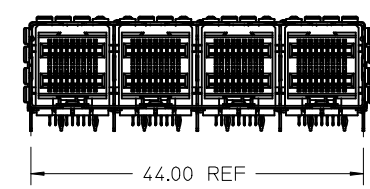
1x1



1x2



1x4

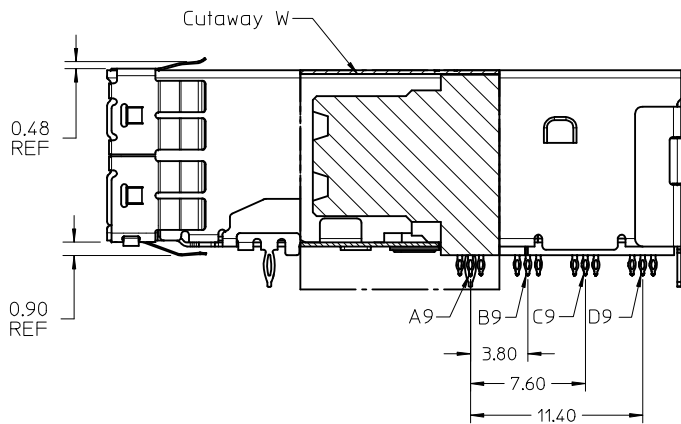
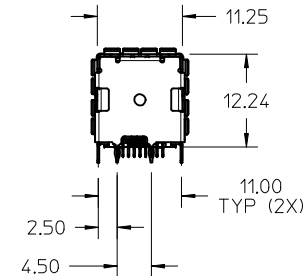
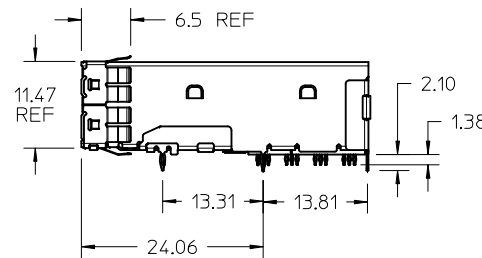
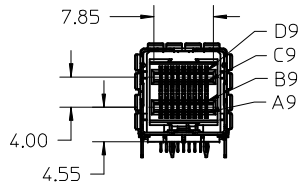
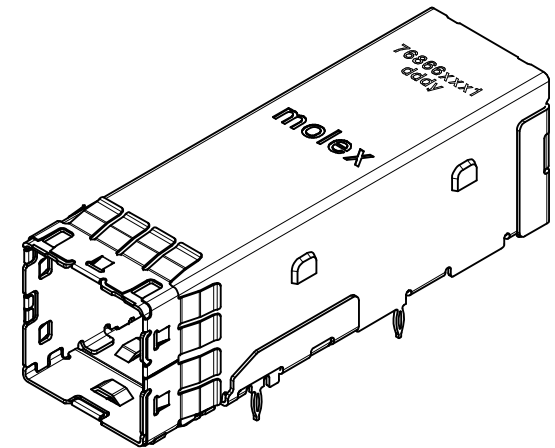
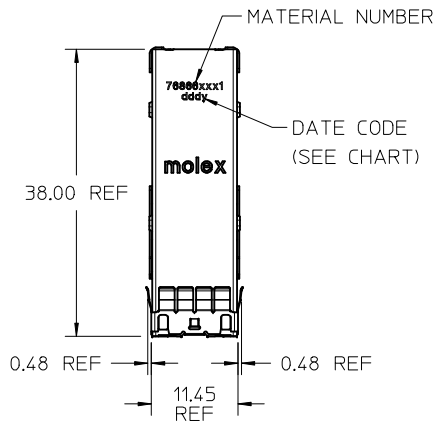


NOTES:

1. MATERIALS:
 CONNECTOR HOUSING: HIGH TEMPERATURE THERMOPLASTIC
 GLASS FILLED, UL 94V-0
 EMI CAGE: NICKEL SILVER ALLOY
 EMI CAGE BASE: STAINLESS STEEL
 EMI FINGERS: COPPER ALLOY
 TERMINALS: COPPER ALLOY
2. FINISHES:
 EMI FINGERS: 0.50µM MIN NICKEL
 CONTACT AREA: 0.76µM MIN GOLD OVER 3.81µM MIN NICKEL
 TAIL AREA: 0.76µM-1.52µM TIN OVER 1.27µM MIN NICKEL
3. PRODUCT SPECIFICATION: PS-76866-001
4. PACKAGING SPECIFICATION: PK-76866-001
5. MATES WITH: MOLEX CABLE SERIES 111068, 111073, 111074, & 111075
6. RECOMMENDED MOUNTING HARDWARE: REFER TO APPLICATION SPECIFICATION AS-76866-001
7. THIS PART CONFORMS TO CLASS C REQUIREMENTS OF MOLEX COSMETIC SPECIFICATION PS-45499-002
8. PLUG MODULE PCB LAYOUT REFER TO SD-76866-9900

CONFIGURATION	MATERIAL NO.
1 x 1	76866-1011
1 x 2	76866-1015
1 x 4	76866-1013

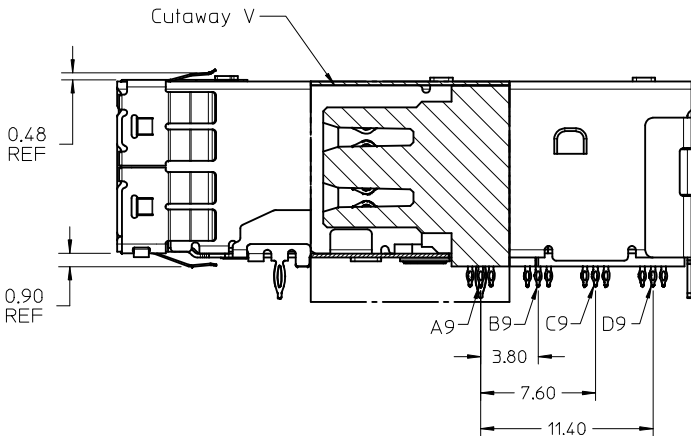
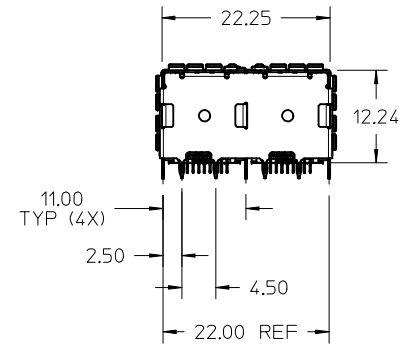
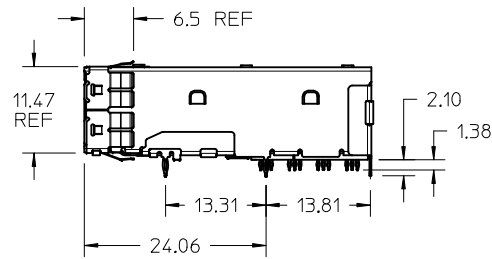
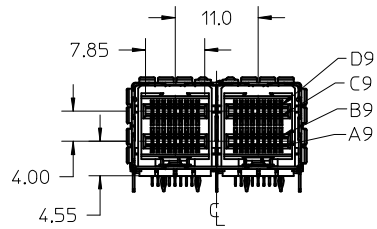
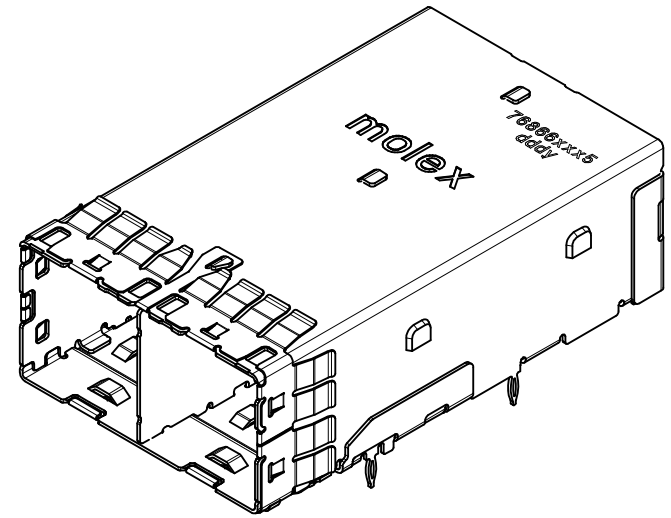
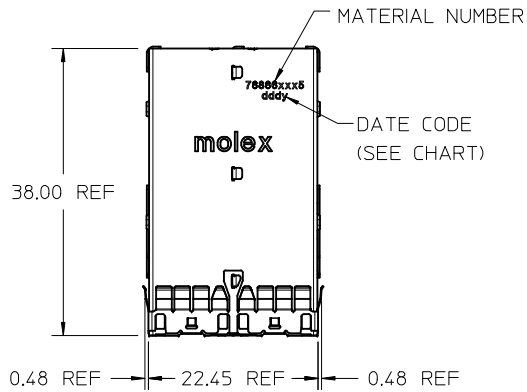
REVD ASSY DIMS IEC NO: UCP2017-1144 DRW: TMCCLELL 2016/11/17 CHKD: TMCCLELLAND 2016/11/17 APPR: TMCCLELL 2016/11/17	QUALITY SYMBOLS 	GENERAL TOLERANCES (UNLESS SPECIFIED)		DIMENSION STYLE MM ONLY		SCALE 2:1	DESIGN UNITS METRIC	THIRD ANGLE PROJECTION
				DRAWN BY DATE KLANG 2011/09/29		TITLE IPASS PLUS HD - 12G EXTERNAL		
				CHECKED BY DATE TMCCLELLAND 2013/07/31		APPROVED BY DATE MBANAKIS 2013/08/01		
				MATERIAL NO. SEE CHART		DOCUMENT NO. SD-76866-1000		
		ANGULAR ±1/2°		SIZE C		SHEET NO. 1 OF 12		
		DRAFT WHERE APPLICABLE MUST REMAIN WITHIN DIMENSIONS		THIS DRAWING CONTAINS INFORMATION THAT IS PROPRIETARY TO MOLEX. INCORPORATED AND SHOULD NOT BE USED WITHOUT WRITTEN PERMISSION				



1X1 ASSEMBLY

MEXICO	DDDYY
CHINA	MSHDDYY
MANUFACTURING LOCATION	DATE CODE
DESIGN UNITS METRIC	THIRD ANGLE PROJECTION

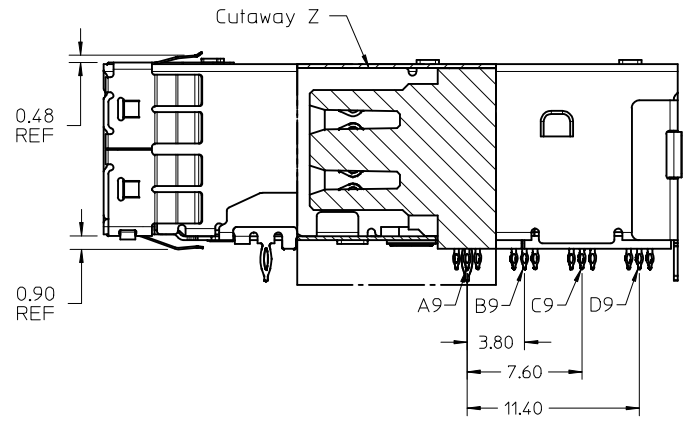
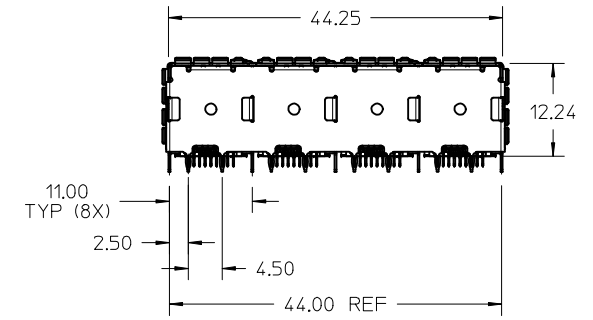
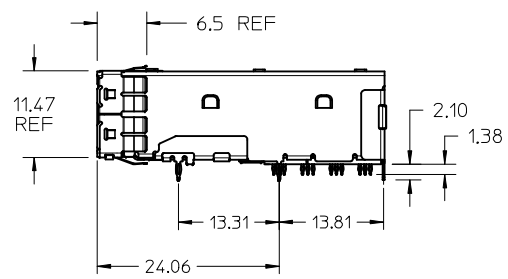
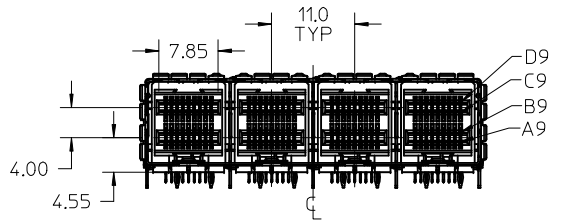
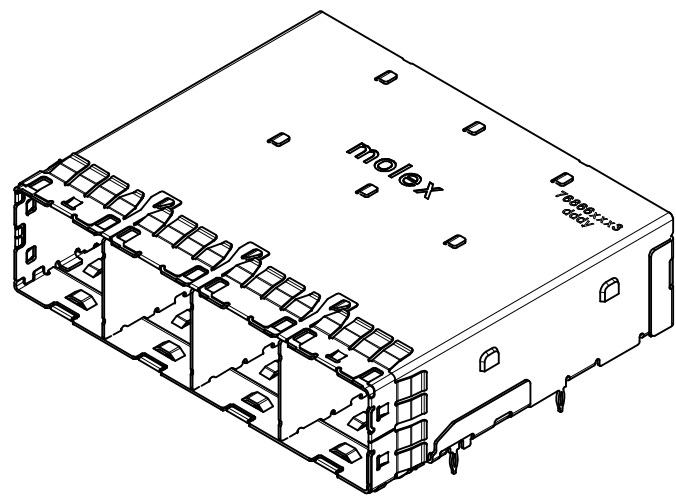
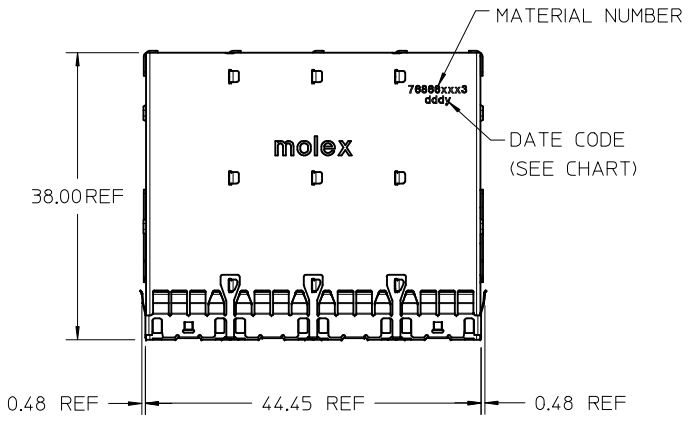
SEE SHEET 1 EC NO: UCP2017-1144 DRWN:TMCCLELL 2016/11/17 CHKD:TMCCLELLAND 2016/11/17 APPR:TMCCLELL 2016/11/17	QUALITY SYMBOLS 	GENERAL TOLERANCES (UNLESS SPECIFIED)		DIMENSION STYLE MM ONLY		SCALE 2:1	TITLE IPASS PLUS HD - 12G EXTERNAL
		mm	INCH	DRAWN BY	DATE	DESIGN UNITS METRIC	
B1	DESCRIPTION REV	4 PLACES	±	---	±	---	MATERIAL NO. SD-76866-1000
		3 PLACES	±	---	±	---	
		2 PLACES	±	0.13	±	---	DOCUMENT NO. SD-76866-1000
		1 PLACE	±	0.25	±	---	
		0 PLACE	±		±		SHEET NO. 2 OF 12
		ANGULAR ±1/2°		SEE CHART		THIS DRAWING CONTAINS INFORMATION THAT IS PROPRIETARY TO MOLEX INCORPORATED AND SHOULD NOT BE USED WITHOUT WRITTEN PERMISSION	
		DRAFT WHERE APPLICABLE MUST REMAIN WITHIN DIMENSIONS		SIZE 			



1X2 ASSEMBLY

MEXICO	DDDY
CHINA	MSHDDDY
MANUFACTURING LOCATION	DATE CODE
DESIGN UNITS METRIC	THIRD ANGLE PROJECTION

SEE SHEET 1 EC NO: UCP2017-1144 DRWN:TMCCLELL 2016/11/17 CHKD:TMCCLELLAND 2016/11/17 APPR:TMCCLELL 2016/11/17	QUALITY SYMBOLS 	GENERAL TOLERANCES (UNLESS SPECIFIED)		DIMENSION STYLE MM ONLY		SCALE 2:1	TITLE IPASS PLUS HD - 12G EXTERNAL	
		4 PLACES ± --- ± --- 3 PLACES ± --- ± --- 2 PLACES ± 0.13 ± --- 1 PLACE ± 0.25 ± --- 0 PLACE ± ±	mm INCH ± --- ± --- ± 0.13 ± --- ± 0.25 ± --- ± ±	DRAWN BY KLANG	DATE 2011/09/29	CHECKED BY TMCCLELLAND		DATE 2013/07/31
B1	DESCRIPTION IPASS PLUS HD - 12G EXTERNAL	ANGULAR ±1/2°		DRAFT WHERE APPLICABLE MUST REMAIN WITHIN DIMENSIONS		MATERIAL NO. SEE CHART	DOCUMENT NO. SD-76866-1000	SHEET NO. 3 OF 12

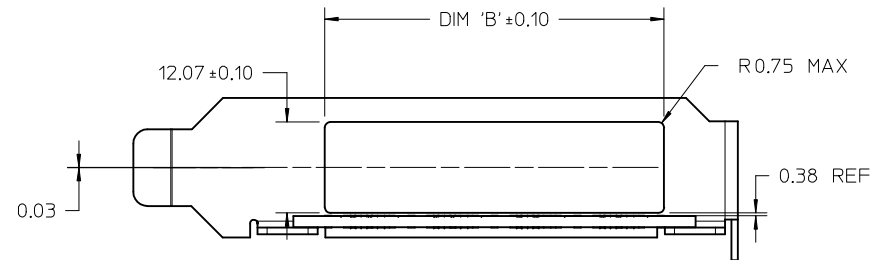
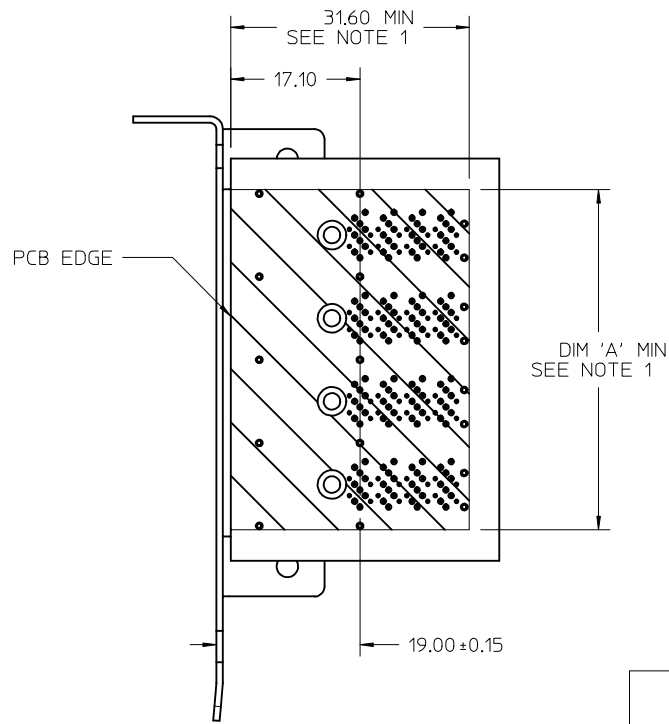
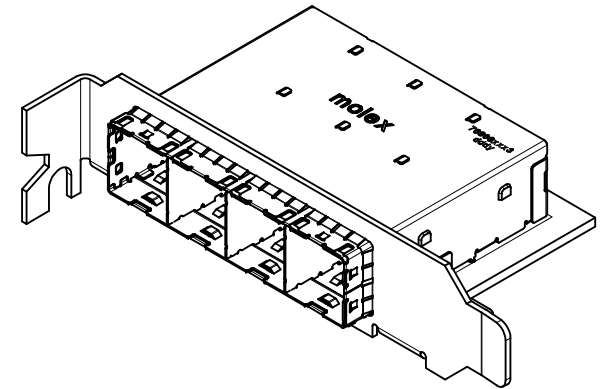
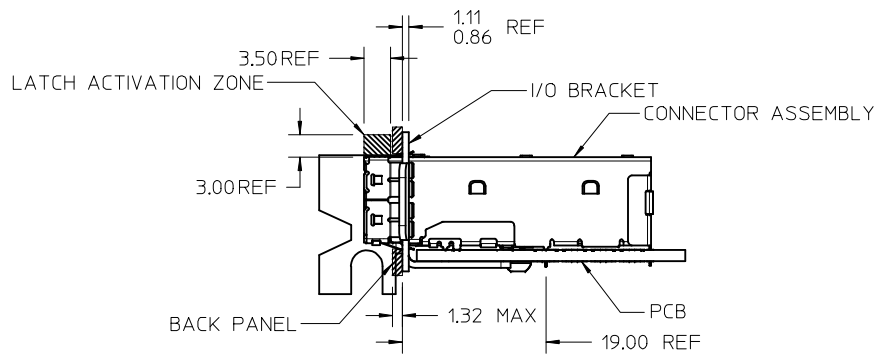


1X4 ASSEMBLY

MEXICO	DDDY
CHINA	MSHDDDY
MANUFACTURING LOCATION	DATE CODE

SEE SHEET 1 IEC NO: UCP2017-1144 DRWN:TMCCLELL 2016/11/17 CHKD:TMCCLELLAND 2016/11/17 APPR:TMCCLELL 2016/11/17	QUALITY SYMBOLS ▽=0 ▽=0 ▽=0	GENERAL TOLERANCES (UNLESS SPECIFIED)		DIMENSION STYLE MM ONLY		SCALE 2:1	DESIGN UNITS METRIC	THIRD ANGLE PROJECTION
		4 PLACES ± --- ± --- 3 PLACES ± --- ± --- 2 PLACES ± 0.13 ± --- 1 PLACE ± 0.25 ± --- 0 PLACE ± ±	mm INCH DRAWN BY DATE KLANG 2011/09/29 CHECKED BY DATE TMCCLELLAND 2013/07/31 APPROVED BY DATE MBANAKIS 2013/08/01	TITLE IPASS PLUS HD - 12G EXTERNAL		molex		DOCUMENT NO. SD-76866-1000
B1	DESCRIPTION DRAFT WHERE APPLICABLE MUST REMAIN WITHIN DIMENSIONS	ANGULAR ±1/2°		SEE CHART		THIS DRAWING CONTAINS INFORMATION THAT IS PROPRIETARY TO MOLEX INCORPORATED AND SHOULD NOT BE USED WITHOUT WRITTEN PERMISSION		

PCI ADD-IN CARD APPLICATION

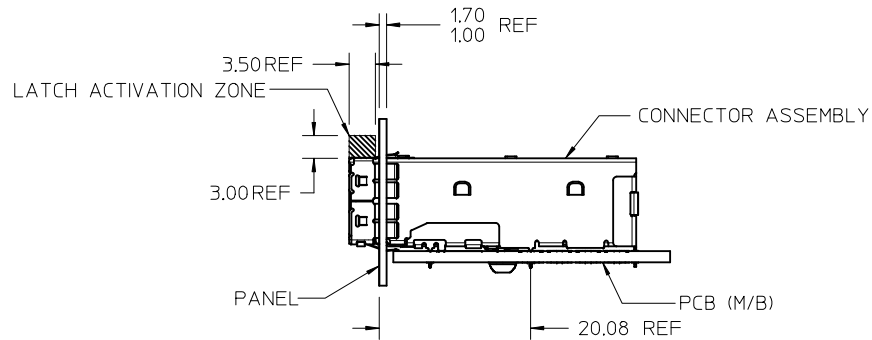


CONFIGURATION	DIM 'A' (MIN)	DIM 'B' (±0.10)
1 X 1	12.00	11.90
1 X 2	23.00	22.90
1 X 4	45.00	44.90

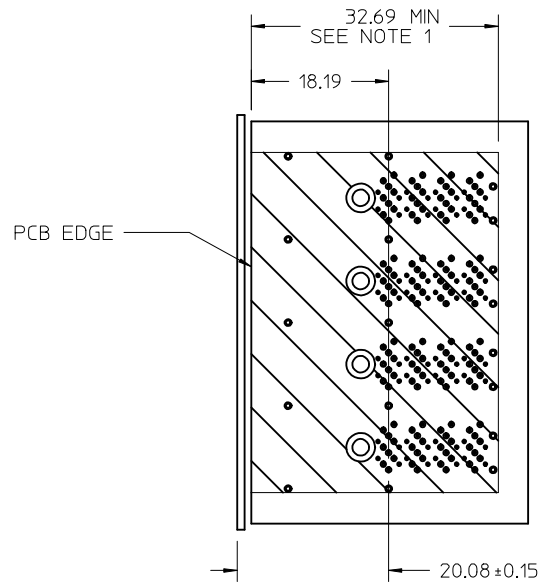
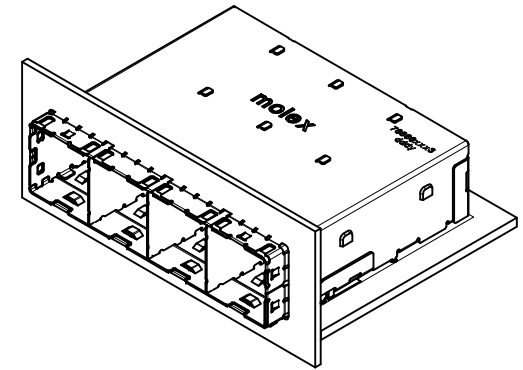
SEE SHEET 1 IEC NO: UCP2017-1144 DRWN:TMCCLELL 2016/11/17 CHKD:TMCCLELLAND 2016/11/17 APPR:TMCCLELL 2016/11/17	QUALITY SYMBOLS	GENERAL TOLERANCES (UNLESS SPECIFIED)	DIMENSION STYLE	SCALE	DESIGN UNITS	THIRD ANGLE PROJECTION
	▽=0	mm INCH	MM ONLY	2:1	METRIC	
	▽=0	4 PLACES ± --- ± ---	DRAWN BY DATE	TITLE	DOCUMENT NO.	SHEET NO.
	▽=0	3 PLACES ± --- ± ---	KLANG 2011/09/29			
▽=0	2 PLACES ±0.13 ± ---	CHECKED BY DATE	IPASS PLUS HD - 12G EXTERNAL			
	1 PLACE ±0.25 ± ---	TMCCLELLAND 2013/07/31	moLEX			
	0 PLACE ± ±	APPROVED BY DATE	SD-76866-1000			
		MBANAKIS 2013/08/01	5 OF 12			
		MATERIAL NO.	THIS DRAWING CONTAINS INFORMATION THAT IS PROPRIETARY TO MOLEX INCORPORATED AND SHOULD NOT BE USED WITHOUT WRITTEN PERMISSION			
		ANGULAR ±1/2°				
		DRAFT WHERE APPLICABLE MUST REMAIN WITHIN DIMENSIONS				
		SIZE				

NOTES:
1. CONNECTOR KEEP OUT ZONE: PCB COMPONENTS ARE NOT ALLOWED IN THIS AREA.

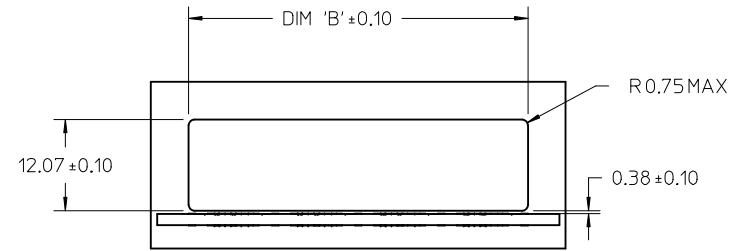
MOTHERBOARD APPLICATION



ASSEMBLED VIEW



PCB TO PANEL VIEW



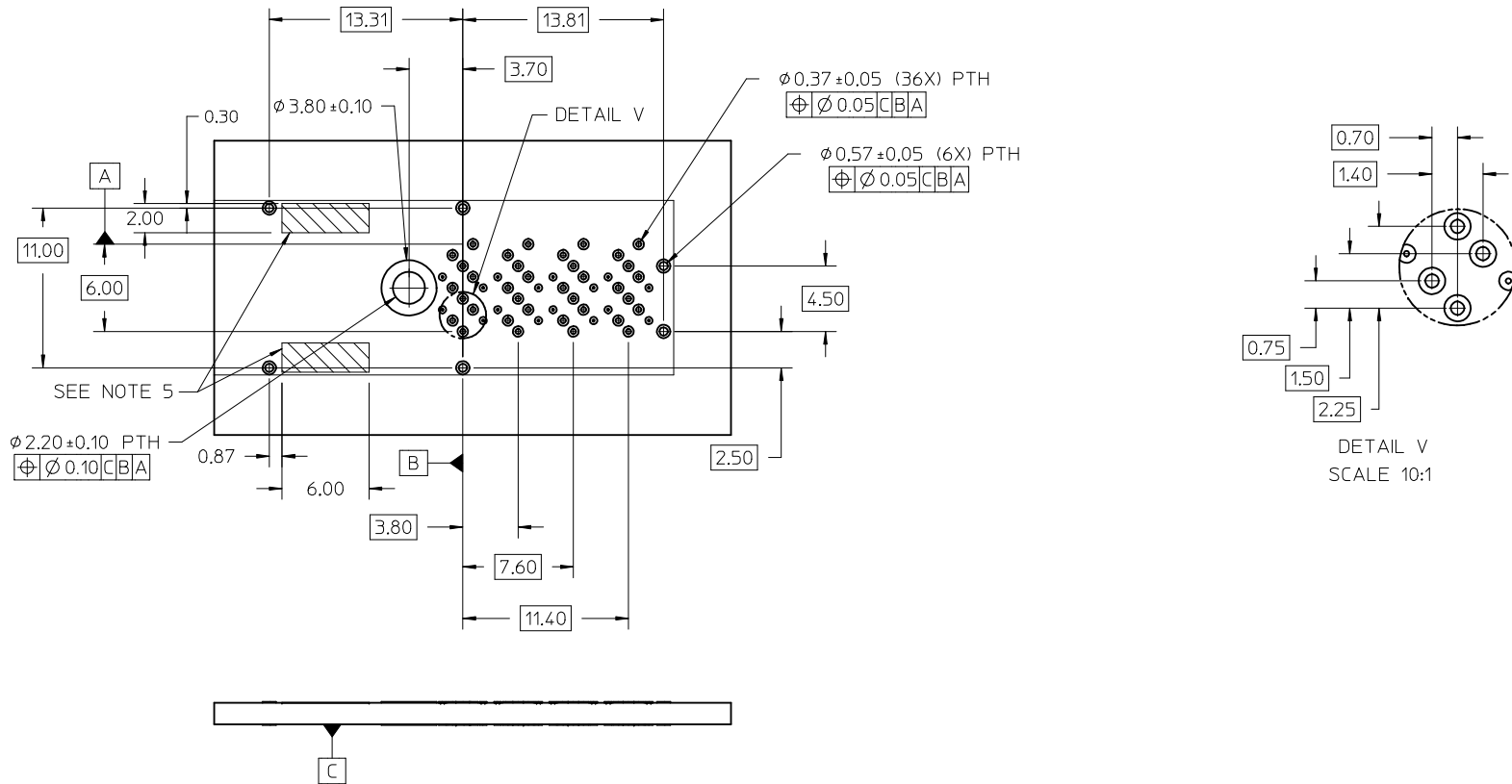
PANEL CUT OUT

CONFIGURATION	DIM 'A' (MIN)	DIM 'B' (±0.10)
1 X 1	12.00	11.90
1 X 2	23.00	22.90
1 X 4	45.00	44.90

NOTES:
1. CONNECTOR KEEP OUT ZONE: PCB COMPONENTS ARE NOT ALLOWED IN THIS AREA.

SEE SHEET 1 EC NO: UCP2017-1144 DRWN: TMCCLELL 2016/11/17 CHKD: TMCCLELLAND 2016/11/17 APPR: TMCCLELL 2016/11/17	QUALITY SYMBOLS	GENERAL TOLERANCES (UNLESS SPECIFIED)	DIMENSION STYLE MM ONLY	SCALE 2:1	DESIGN UNITS METRIC	THIRD ANGLE PROJECTION
	▽=0	mm INCH	DRAWN BY DATE KLANG 2011/09/29	TITLE IPASS PLUS HD - 12G EXTERNAL		DOCUMENT NO. SD-76866-1000
	▽=0	4 PLACES ± --- ± ---	CHECKED BY DATE TMCCLELLAND 2013/07/31	SHEET NO. 6 OF 12		
	▽=0	3 PLACES ± --- ± ---	APPROVED BY DATE MBANAKIS 2013/08/01	THIS DRAWING CONTAINS INFORMATION THAT IS PROPRIETARY TO MOLEX INCORPORATED AND SHOULD NOT BE USED WITHOUT WRITTEN PERMISSION		
▽=0	2 PLACES ± 0.13 ± ---	MATERIAL NO.				
	1 PLACE ± 0.25 ± ---	ANGULAR ± 1/2°	SIZE C			
	0 PLACE ± ±	DRAFT WHERE APPLICABLE MUST REMAIN WITHIN DIMENSIONS				

1X1 RECOMMENDED FOOTPRINT

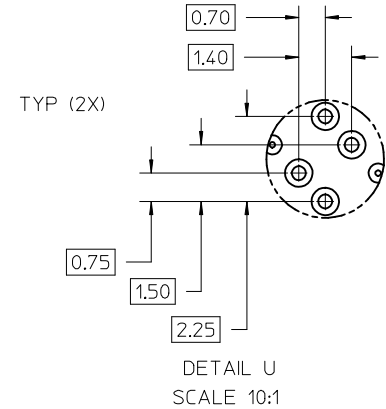
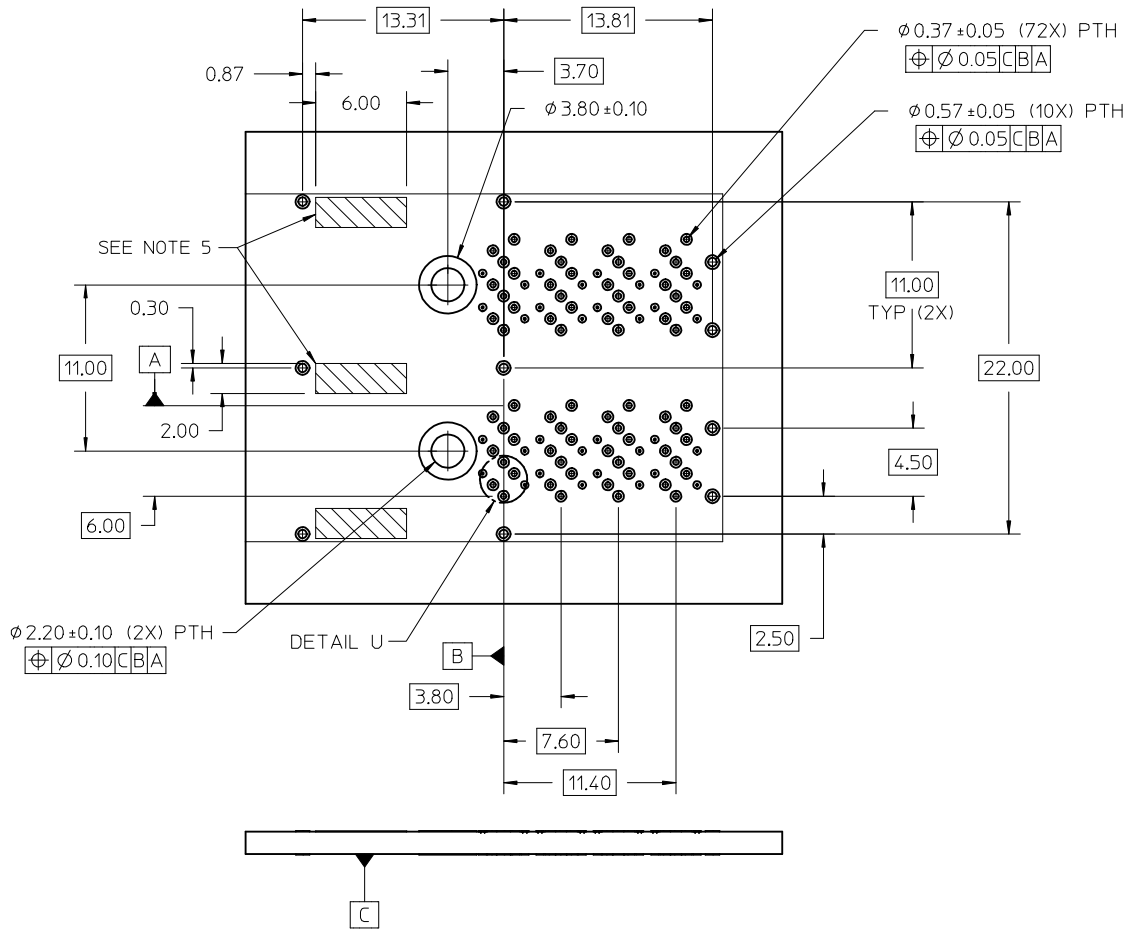


NOTES:

1. RECOMMENDED DRILL & ANNULAR RING SIZE FOR 0.37ϕ FINISHED PTH - REFER TO APPLICATION SPECIFICATION AS-76866-001
2. MINIMUM RECOMMENDED SPACING: 14.00MM
4. MINIMUM PCB THICKNESS: 1.57MM
4. RECOMMENDED DRILL & ANNULAR RING SIZE FOR 0.57ϕ FINISHED PTH - REFER TO APPLICATION SPECIFICATION AS-76866-001
5. CAGE KEEP OUT ZONE: TRACES AND VIAS ARE NOT ALLOWED ON SURFACE OF PCB IN THESE AREAS.

REV	DESCRIPTION	QUALITY SYMBOLS	GENERAL TOLERANCES (UNLESS SPECIFIED)		DIMENSION STYLE MM ONLY	SCALE 4:1	DESIGN UNITS METRIC	THIRD ANGLE PROJECTION
			mm	INCH				
B1	SEE SHEET 1 EC NO: UCP2017-1144 DRWN:TMCCLELL 2016/11/17 CHKD:TMCCLELLAND 2016/11/17 APPR:TMCCLELL 2016/11/17	$\nabla = 0$ $\nabla = 0$ $\nabla = 0$	4 PLACES \pm ---	\pm ---	DRAWN BY KLANG	DATE 2011/09/29	TITLE IPASS PLUS HD - 12G EXTERNAL	DOCUMENT NO. SD-76866-1000
			3 PLACES \pm ---	\pm ---	CHECKED BY TMCCLELLAND	DATE 2013/07/31	SHEET NO. 7 OF 12	
			2 PLACES ± 0.13	\pm ---	APPROVED BY MBANAKIS	DATE 2013/08/01		
			1 PLACE ± 0.25	\pm ---	MATERIAL NO. SEE CHART			
			0 PLACE \pm	\pm	SIZE C			
			ANGULAR $\pm 1/2^\circ$		THIS DRAWING CONTAINS INFORMATION THAT IS PROPRIETARY TO MOLEX INCORPORATED AND SHOULD NOT BE USED WITHOUT WRITTEN PERMISSION			
			DRAFT WHERE APPLICABLE MUST REMAIN WITHIN DIMENSIONS					

1X2 RECOMMENDED FOOTPRINT

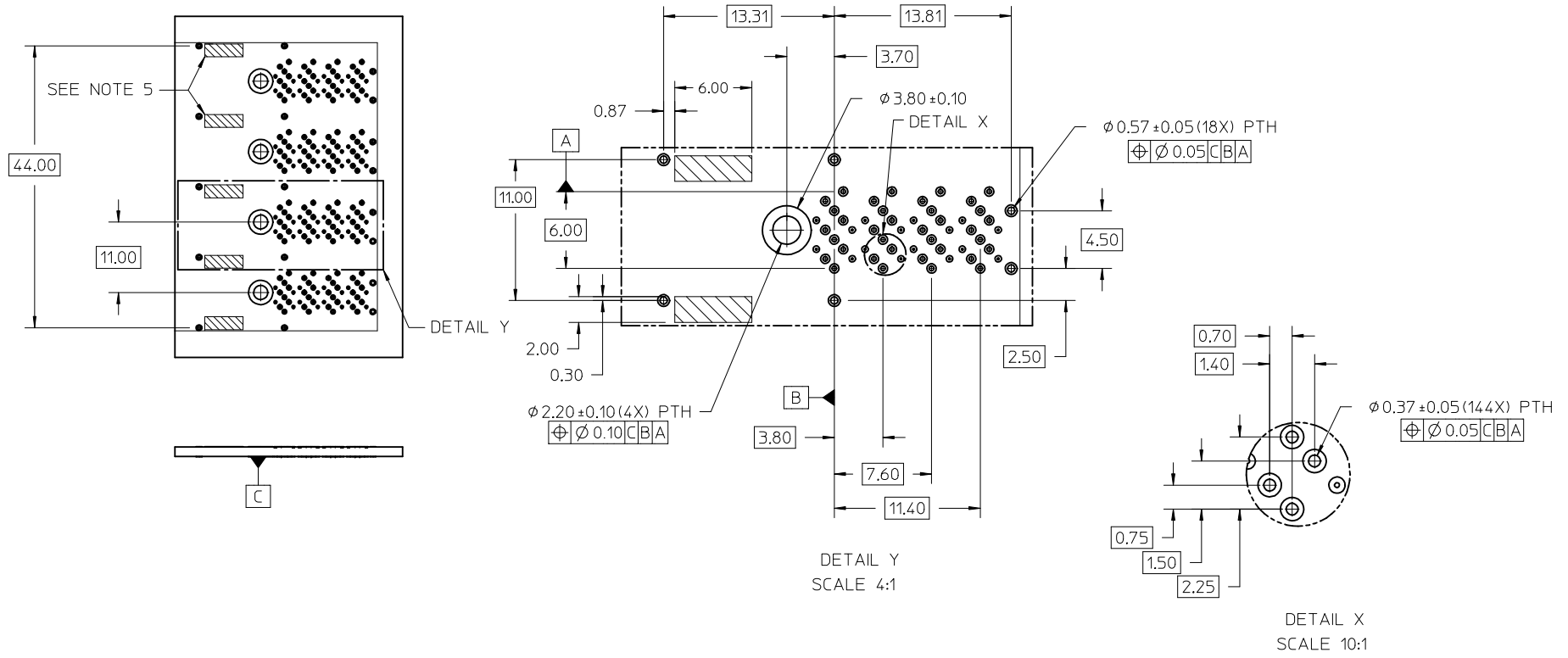


NOTES:

1. RECOMMENDED DRILL & ANNULAR RING SIZE FOR 0.37φ FINISHED PTH - REFER TO APPLICATION SPECIFICATION AS-76866-001
2. MINIMUM RECOMMENDED SPACING: 25.00MM
4. MINIMUM PCB THICKNESS: 1.57MM
4. RECOMMENDED DRILL & ANNULAR RING SIZE FOR 0.57φ FINISHED PTH - REFER TO APPLICATION SPECIFICATION AS-76866-001
5. CAGE KEEP OUT ZONE: TRACES AND VIAS ARE NOT ALLOWED ON SURFACE OF PCB IN THESE AREAS.

SEE SHEET 1 EC NO: UCP2017-1144 DRWN: MCLELL 2016/11/17 CHKD: MCLELLAND 2016/11/17 APPR: MCLELL 2016/11/17	DESCRIPTION REV:	QUALITY SYMBOLS	GENERAL TOLERANCES (UNLESS SPECIFIED)	DIMENSION STYLE MM ONLY	SCALE 4:1	DESIGN UNITS METRIC	THIRD ANGLE PROJECTION
		▽=0	mm INCH	DRAWN BY DATE	TITLE IPASS PLUS HD - 12G EXTERNAL	molex	DOCUMENT NO. SD-76866-1000
		▽=0	4 PLACES ± --- ± ---	KLANG 2011/09/29			
		▽=0	3 PLACES ± --- ± ---	CHECKED BY DATE			
	2 PLACES ± 0.13 ± ---	TMCCLELLAND 2013/07/31					
		1 PLACE ± 0.25 ± ---	APPROVED BY DATE	SHEET NO. 8 OF 12			
		0 PLACE ± ±	MBANAKIS 2013/08/01	THIS DRAWING CONTAINS INFORMATION THAT IS PROPRIETARY TO MOLEX INCORPORATED AND SHOULD NOT BE USED WITHOUT WRITTEN PERMISSION			

1X4 RECOMMENDED FOOTPRINT



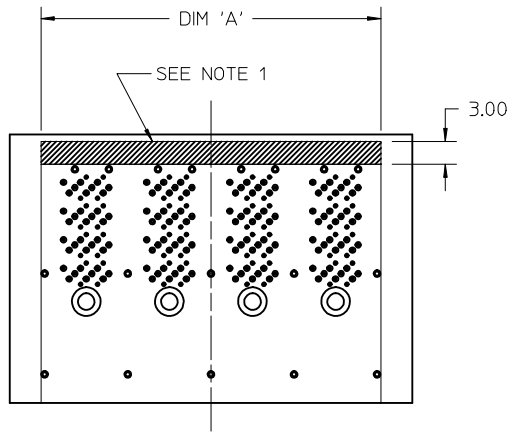
NOTES:

1. RECOMMENDED DRILL & ANNULAR RING SIZE FOR 0.37 ϕ FINISHED PTH - REFER TO APPLICATION SPECIFICATION AS-76866-001
2. MINIMUM RECOMMENDED SPACING: 47.00MM
4. MINIMUM PCB THICKNESS: 1.57MM
4. RECOMMENDED DRILL & ANNULAR RING SIZE FOR 0.57 ϕ FINISHED PTH - REFER TO APPLICATION SPECIFICATION AS-76866-001
5. CAGE KEEP OUT ZONE: TRACES AND VIAS ARE NOT ALLOWED ON SURFACE OF PCB IN THESE AREAS.

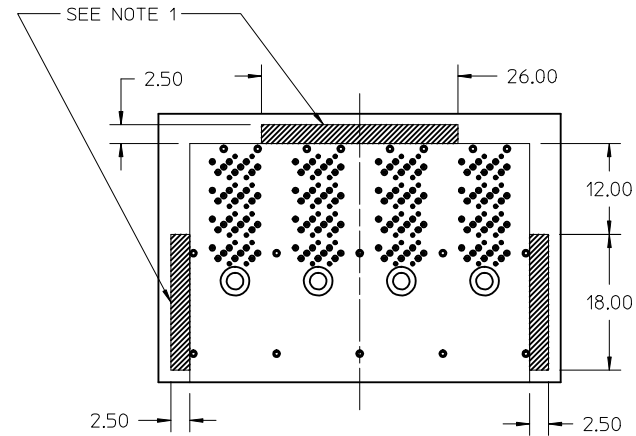
SEE SHEET 1 EC NO: UCP2017-1144 DRWN:TMCCLELL 2016/11/17 CHKD:TMCCLELLAND 2016/11/17 APPR:TMCCLELL 2016/11/17	DESCRIPTION REV B1	QUALITY SYMBOLS ▽=0 ▽=0 ▽=0	GENERAL TOLERANCES (UNLESS SPECIFIED) mm INCH 4 PLACES ± --- ± --- 3 PLACES ± --- ± --- 2 PLACES ± 0.13 ± --- 1 PLACE ± 0.25 ± --- 0 PLACE ± ±	DIMENSION STYLE MM ONLY DRAWN BY DATE KLANG 2011/09/29 CHECKED BY DATE TMCCLELLAND 2013/07/31 APPROVED BY DATE MBANAKIS 2013/08/01	SCALE 2:1 TITLE IPASS PLUS HD - 12G EXTERNAL	DESIGN UNITS METRIC THIRD ANGLE PROJECTION
		ANGULAR ±1/2° DRAFT WHERE APPLICABLE MUST REMAIN WITHIN DIMENSIONS	MATERIAL NO. SEE CHART SIZE C	DOCUMENT NO. SD-76866-1000 SHEET NO. 9 OF 12		

THIS DRAWING CONTAINS INFORMATION THAT IS PROPRIETARY TO MOLEX INCORPORATED AND SHOULD NOT BE USED WITHOUT WRITTEN PERMISSION

RECOMMENDED TOOLING KEEP OUT AREAS



INSERTION TOOL KEEP OUT AREA



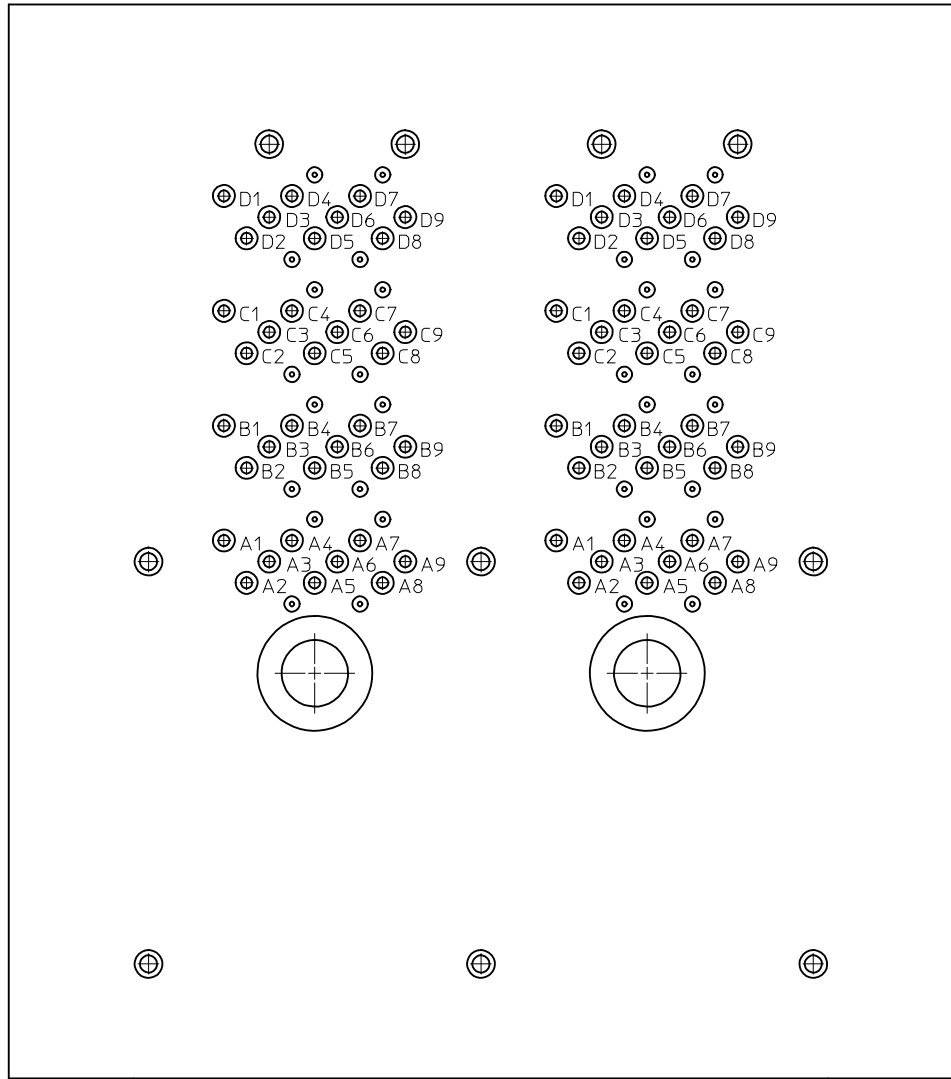
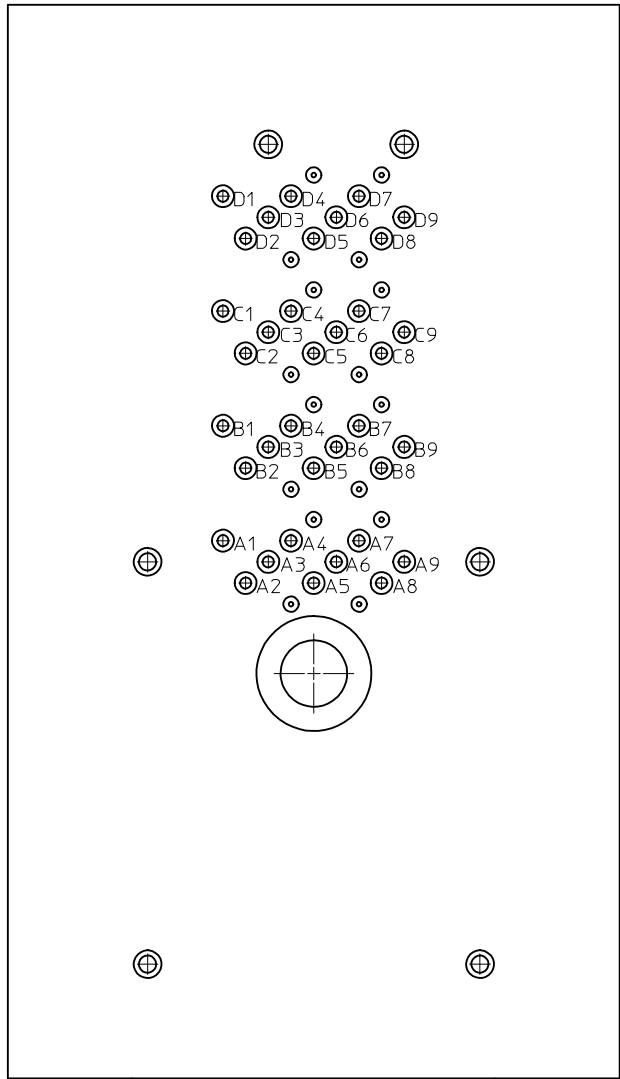
EXTRACTION TOOL KEEP OUT AREA

CONFIGURATION	DIM 'A' (MIN)
1 X 1	12.00
1 X 2	23.00
1 X 4	45.00

NOTES:
1. NO COMPONENTS ALLOWED IN THESE AREAS

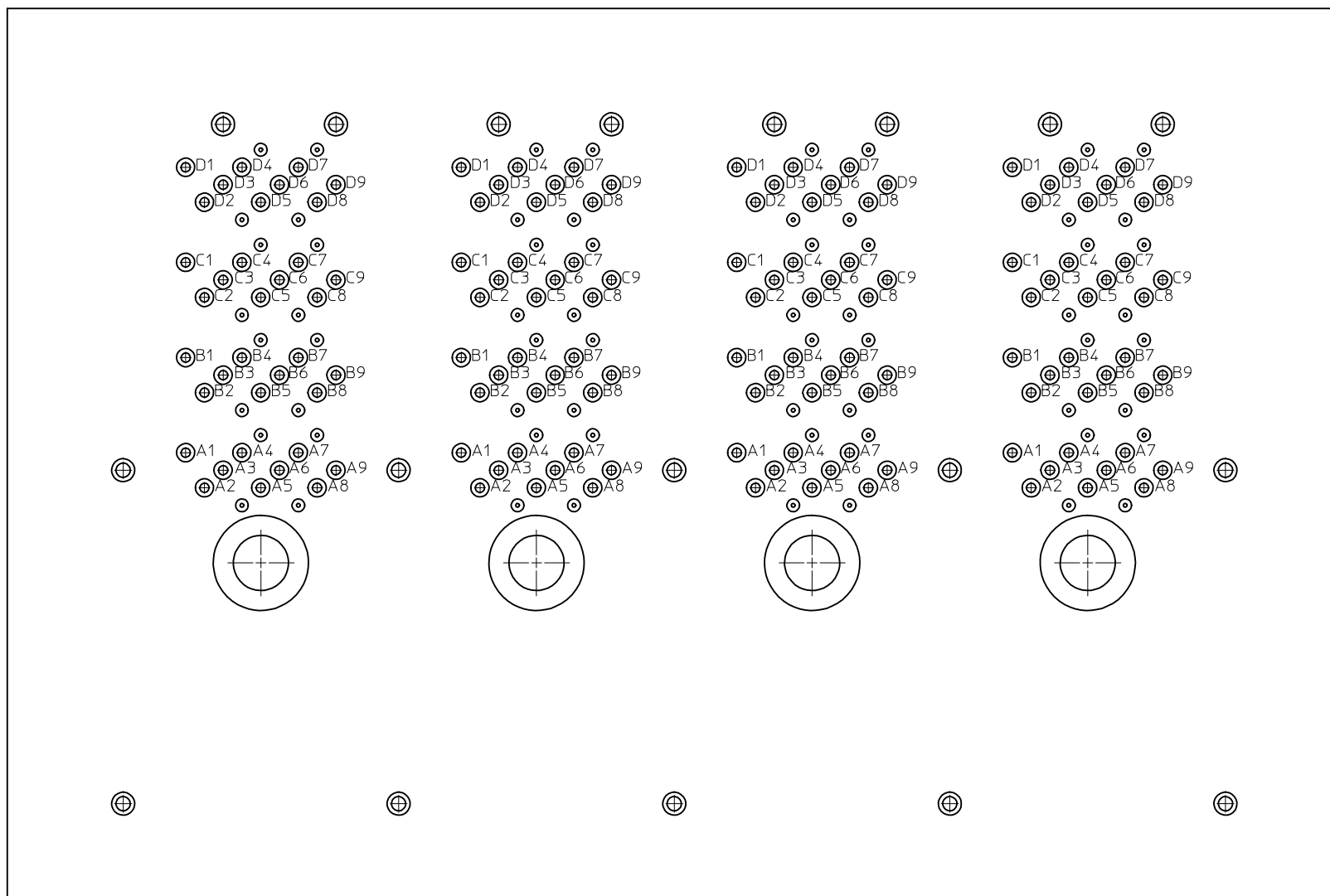
SEE SHEET 1 EC NO: UCP2017-1144 DRWN:TMCCLELL 2016/11/17 CHKD:TMCCLELLAND 2016/11/17 APPR:TMCCLELL 2016/11/17	QUALITY SYMBOLS	GENERAL TOLERANCES (UNLESS SPECIFIED)	DIMENSION STYLE MM ONLY	SCALE 2:1	DESIGN UNITS METRIC	THIRD ANGLE PROJECTION
	▽=0	mm INCH	DRAWN BY DATE KLANG 2011/09/29	TITLE IPASS PLUS HD - 12G EXTERNAL		
	▽=0	4 PLACES ± --- ± ---	CHECKED BY DATE TMCCLELLAND 2013/07/31	DOCUMENT NO. SD-76866-1000		
	▽=0	3 PLACES ± --- ± ---	APPROVED BY DATE MBANAKIS 2013/08/01			
	2 PLACES ± 0.13 ± ---	MATERIAL NO. SEE CHART				
	1 PLACE ± 0.25 ± ---	ANGULAR ±1/2°	SIZE C	THIS DRAWING CONTAINS INFORMATION THAT IS PROPRIETARY TO MOLEX INCORPORATED AND SHOULD NOT BE USED WITHOUT WRITTEN PERMISSION		
	0 PLACE ± ±	DRAFT WHERE APPLICABLE MUST REMAIN WITHIN DIMENSIONS				

1X1 & 1X2 FOOTPRINT CIRCUIT IDENTIFICATION



SEE SHEET 1 EC NO: UCP2017-1144 DRWN:TMCCLELL 2016/11/17 CHKD:TMCCLELLAND 2016/11/17 APPR:TMCCLELL 2016/11/17	QUALITY SYMBOLS	GENERAL TOLERANCES (UNLESS SPECIFIED)		DIMENSION STYLE	SCALE	DESIGN UNITS	THIRD ANGLE PROJECTION
	▽=0	mm	INCH	MM ONLY	8:1	METRIC	
	▽=0	4 PLACES ± ---	± ---	DRAWN BY	DATE	TITLE	
	▽=0	3 PLACES ± ---	± ---	KLANG	2011/09/29	IPASS PLUS HD - 12G EXTERNAL	
		2 PLACES ± 0.13	± ---	CHECKED BY	DATE		
		1 PLACE ± 0.25	± ---	TMCCLELLAND	2013/07/31		
		0 PLACE ±	±	APPROVED BY	DATE		
				MBANAKIS	2013/08/01		
		ANGULAR ±1/2°		MATERIAL NO.	DOCUMENT NO.		
		DRAFT WHERE APPLICABLE MUST REMAIN WITHIN DIMENSIONS		SEE CHART	SD-76866-1000	SHEET NO. 11 OF 12	
				SIZE	THIS DRAWING CONTAINS INFORMATION THAT IS PROPRIETARY TO MOLEX. INCORPORATED AND SHOULD NOT BE USED WITHOUT WRITTEN PERMISSION		

1X4 FOOTPRINT CIRCUIT IDENTIFICATION



SEE SHEET 1 EC NO: UCP2017-1144 DRWN: TMCLELL 2016/11/17 CHKD: TMCLELLAND 2016/11/17 APPR: TMCLELL 2016/11/17	QUALITY SYMBOLS	GENERAL TOLERANCES (UNLESS SPECIFIED)		DIMENSION STYLE	SCALE	DESIGN UNITS	THIRD ANGLE PROJECTION
	▽=0	mm	INCH	MM ONLY	8:1	METRIC	☉
	▽=0	4 PLACES ± ---	± ---	DRAWN BY DATE	TITLE		
	▽=0	3 PLACES ± ---	± ---	KLANG 2011/09/29	IPASS PLUS HD - 12G EXTERNAL		
		2 PLACES ± 0.13	± ---	CHECKED BY DATE			
		1 PLACE ± 0.25	± ---	TMCLELLAND 2013/07/31			
		0 PLACE ±	±	APPROVED BY DATE			
				MBANAKIS 2013/08/01			
		ANGULAR ±1/2°		MATERIAL NO.	DOCUMENT NO.		
		DRAFT WHERE APPLICABLE MUST REMAIN WITHIN DIMENSIONS		SEE CHART	SD-76866-1000		SHEET NO. 12 OF 12
REV B1				SIZE C	THIS DRAWING CONTAINS INFORMATION THAT IS PROPRIETARY TO MOLEX INCORPORATED AND SHOULD NOT BE USED WITHOUT WRITTEN PERMISSION		