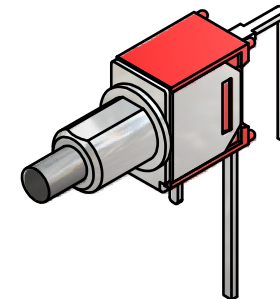
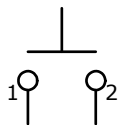


PC MOUNTING

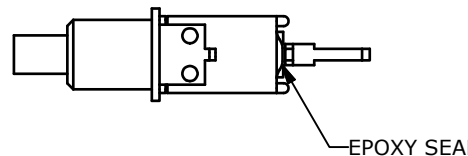
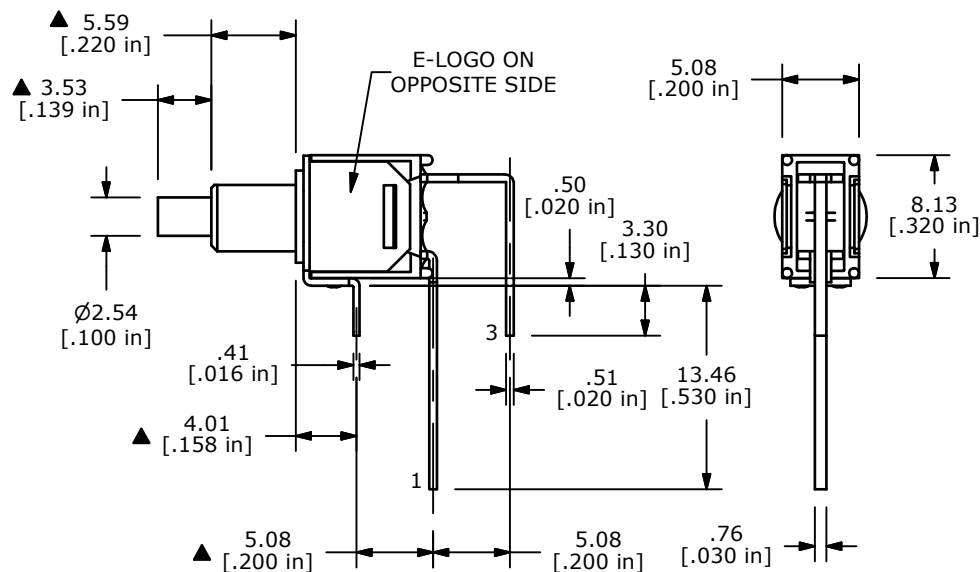
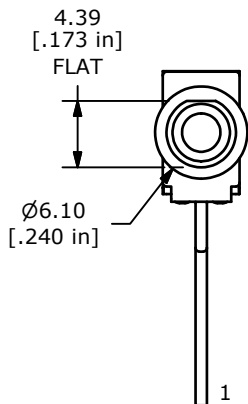


SWITCH FUNCTION	
POS. 1	POS. 2
OFF	(ON)
OPEN	1-3

(ON)=MOMENTARY



CIRCUIT: SPST



- NOTE:
1. ALL DIMENSIONS IN MM [INCH]
  2. GENERAL TOLERANCE: X.X=±0.4  
X.XX=±0.25
  3. TERMINAL NUMBERS FOR REF ONLY
  - ▲ 4. CONTACT MATERIAL: SILVER
  - ▲ 5. RATING: 1A @ 250 VAC  
3A @ 120 VAC OR 28 VDC
  6. MECHANICAL LIFE: 50,000 MAKE-AND-BREAK CYCLES
  7. CONTACT RESISTANCE: 20 mΩ MAX. INITIAL @ 2-4VDC  
100mA FOR BOTH GOLD AND SILVER CONTACTS
  8. INSULATION RESISTANCE: 1,000 MEGA-OHM MIN.
  9. DIELECTRIC STRENGTH: 1,000 V RMS @SEA LEVEL.
  10. OPERATING TEMP.: -30°C to 85°C
  11. ▲ DENOTES CRITICAL PARAMETER.
  12. 2002/95/EC (ROHS) COMPLIANT



C	20013	UPDATE DRAWING	06/22/11	BMA
B	14619	REVISED AND REDRAWN	1/11/05	AR
REV	PCR NO	DESCRIPTION	DATE	BY

TITLE 800SP9B6M7QE				
SCALE 2:1	DATE 6/11/2002	DR CJB	DWG T811044	REV C

THE INFORMATION CONTAINED IN THIS DOCUMENT IS PROPRIETARY TO E-SWITCH AND IS NOT TO BE COPIED OR TRANSFERRED