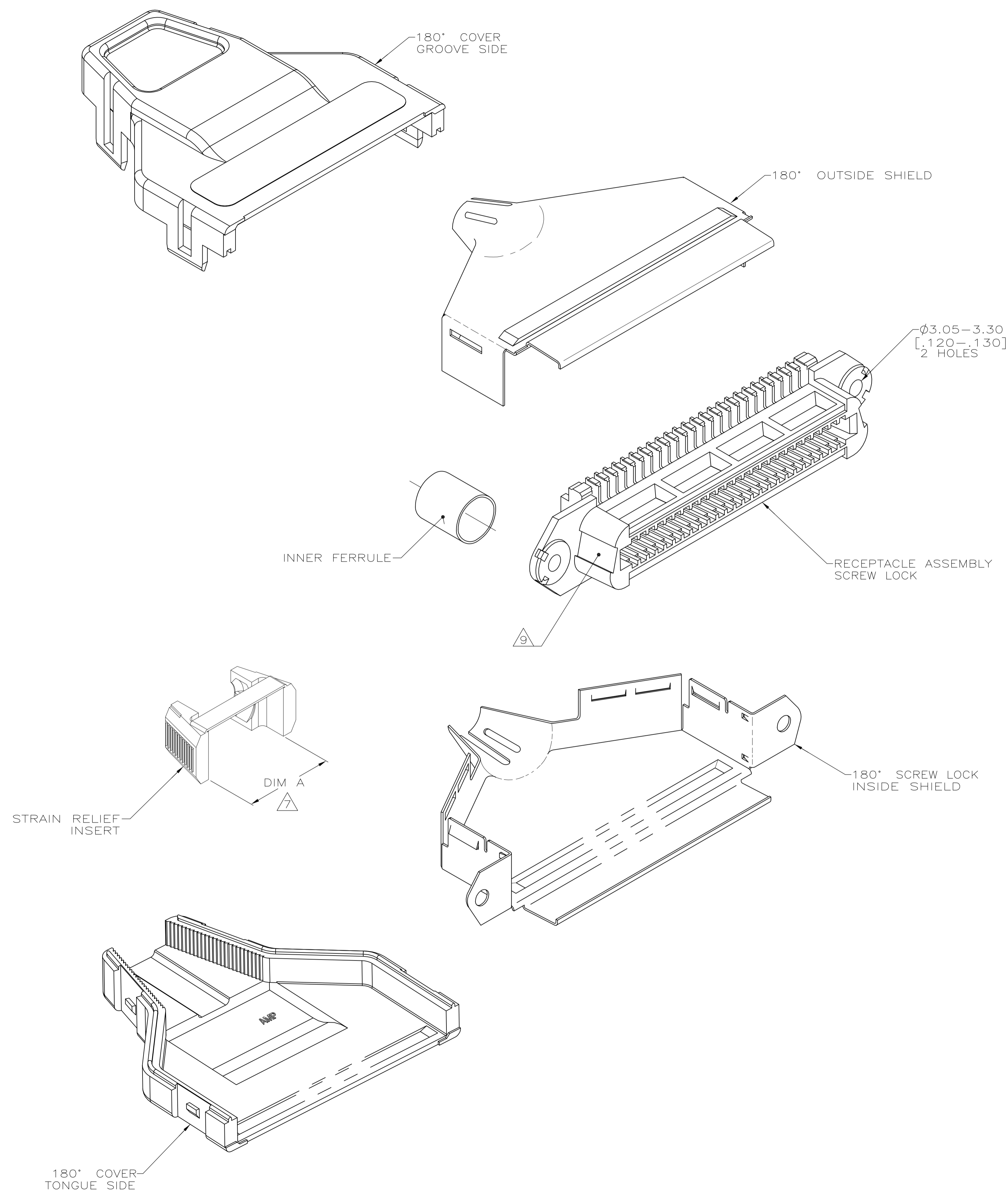


LOC	DIST	REVISIONS			
GP	00	REV	DESCRIPTION	DATE	BY
		F	REVISED PER ECO-08-007327	05SEP08	BM WM



- THIS KIT SHIPPED NOT ASSEMBLED.
- MATERIAL: SHIELDS – BRIGHT NICKEL PLATED CARBON STEEL.
  - COVERS AND HOUSING – POLYPHENYLENE OXIDE, BLACK.
  - STRAIN RELIEF – POLYPROPYLENE, BLACK.
  - FERRULE – COPPER ALLOY.
  - TERMINAL – HIGH STRENGTH COPPER ALLOY PLATED WITH 0.76 $\mu$ m [.000030] MIN GOLD OR GOLD FLASH OVER PALLADIUM NICKEL PLATE, 0.76 $\mu$ m [.000030] MIN TOTAL ON MATING SURFACE. 1.27 $\mu$ m [.000050] MIN NICKEL UNDERPLATE OVER ENTIRE TERMINAL.
- WIRE SIZE: 24 OR 26 AWG SOLID OR 24 AWG 7 STRANDS OF COPPER CONDUCTORS. MAXIMUM INSULATION DIAMETER OF 1.14 [.045] IS ACCEPTABLE FOR MOST APPLICATIONS.
- CABLE RANGE:  $\varnothing$ 8.89–15.88 [.350–.625].
- CENTER-TO-CENTER SPACING OF TERMINALS 2.16 [.085] NOMINAL.
- CABLE OF 10.16[.400] DIAMETER OR LESS SHALL USE INNER FERRULE ON THE CABLE JACKET. CABLE GREATER THAN 10.16[.400] DIAMETER SHALL USE INNER FERRULE ON THE CONDUCTORS.
  - CABLE LESS THAN 12.7[.500] USE 16.13[.635] STRAIN RELIEF. CABLE GREATER THAN 12.7[.500] USE 18.67[.735] STRAIN RELIEF.
  - DIMENSIONS ARE MAXIMUM UNLESS OTHERWISE SPECIFIED.
  - CORING IS AN OPTIONAL CONFIGURATION AND IS AT THE DISCRETION OF AMP INCORPORATED.

16.13[.635]	8.89[.350]	554573-1
STRAIN RELIEF DIM A	FERRULE ID	PART NUMBER

THIS DRAWING IS A CONTROLLED DOCUMENT.

DIMENSIONS: mm [INCHES]	TOLERANCES UNLESS OTHERWISE SPECIFIED:	DIN S. POZEBANCHUK 25SEP84	Tyco Electronics Corporation Harrisburg, PA 17105-3608
0 PLC ± .00	1 PLC ± .00	25SEP84	
2 PLC ± .00	3 PLC ± .00	28SEP84	
4 PLC ± .00	ANGLES ± .00		

APPROVED: G. FOSTER	DATE: 03OCT84	NAME: Tyco Electronics
PRODUCT SPEC	APPLICATION SPEC	SIZE: A1
WEIGHT: --	CAGE CODE: 00779	DRAWING NO: 554573
CUSTOMER DRAWING	SCALE: 2:1	SHEET 1 OF 1 REV F