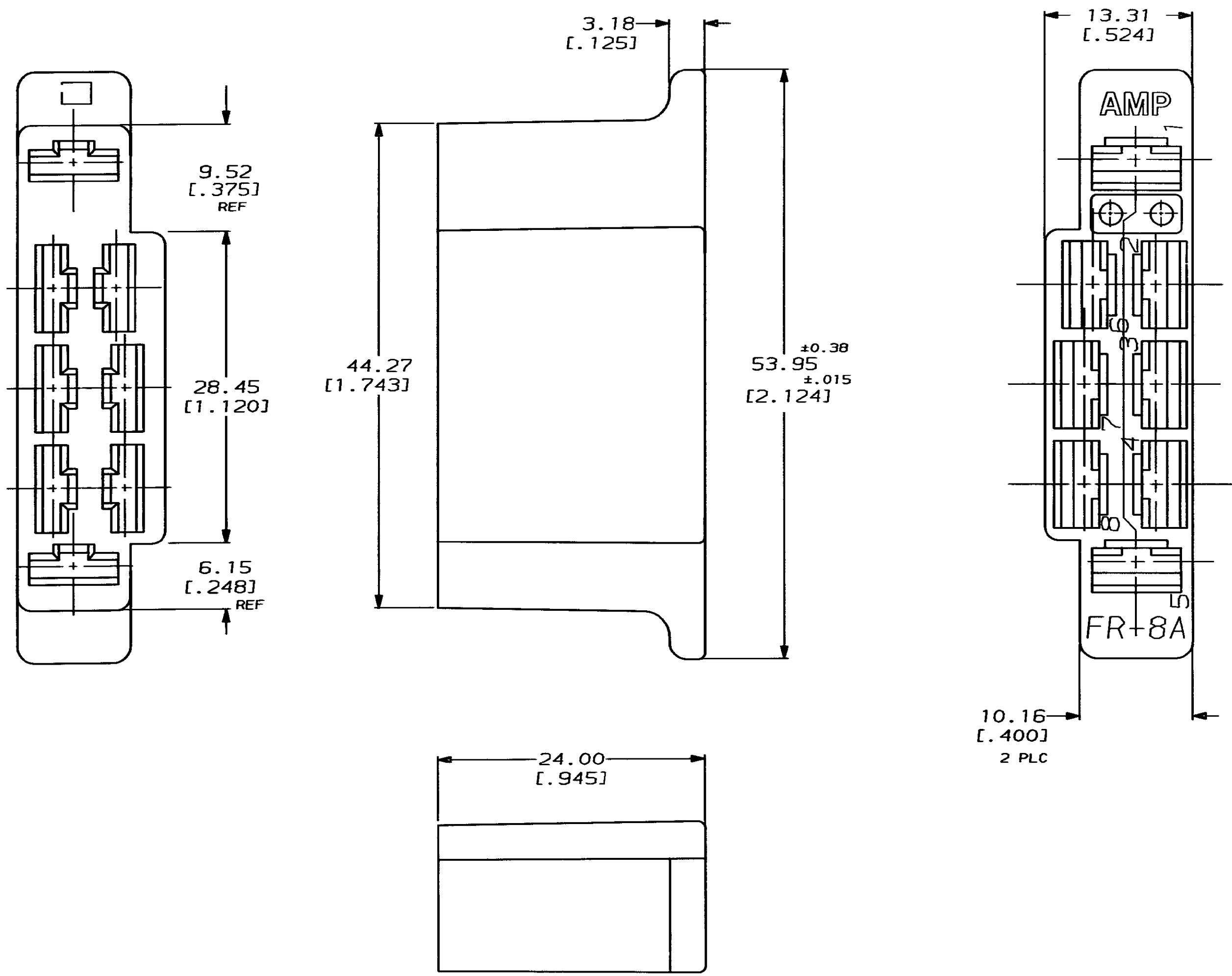



DRAWING MADE IN THIRD ANGLE PROJECTION

THIS DRAWING IS UNPUBLISHED. RELEASED FOR PUBLICATION ,19 .
 © COPYRIGHT 19 BY AMP INCORPORATED. ALL INTERNATIONAL RIGHTS RESERVED.

LOC	DIST	P	F	ZONE	LTR	REVISIONS	DATE	APPD
AF	50				A	RELEASED	10/12/89	JR/JG
						DESCRIPTION		



METRIC

DO NOT SCALE PRINT. UNLESS SPECIFIED DIMENSIONS IN mm [INCHES] TOLERANCES ON :		DR 8/1/89 JR RUTH		520965-1	
2 PLC DEC ± -		CHK 8/1/89 MS FEHER		PART NO	
3 PLC DEC ± 0.25 [0.010]		APPD 8/1/89 J GILLESPIE		 AMP INCORPORATED Harrisburg, Pa. 17105	
ANGLES ± -		APPD 8/1/89 R KUZO			
MATERIAL 6/6 NYLON		PRODUCT SPEC -			
FINISH NATURAL		APPLICATION SPEC -		NAME HOUSING, RECT, FASTIN-FASTON,™ .250 SERIES 8 CIRCUIT	
WEIGHT -		SCALE 3:1		CAGE CODE 00779	
				DRAWING NO 520965	
				SHEET 1 OF 1	