

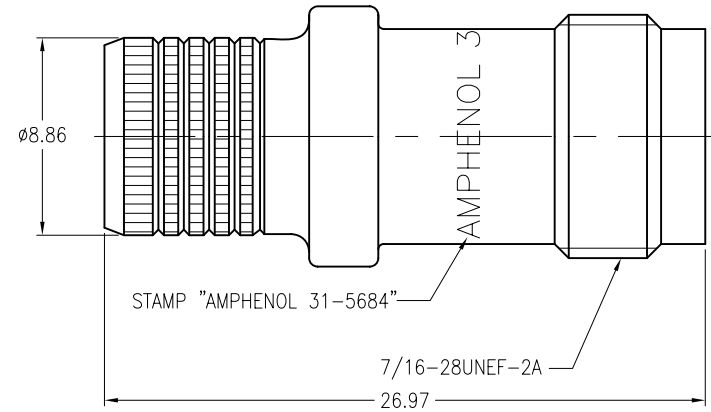
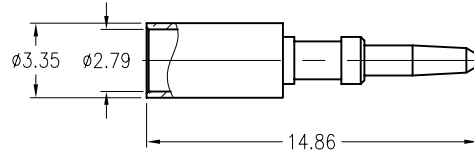
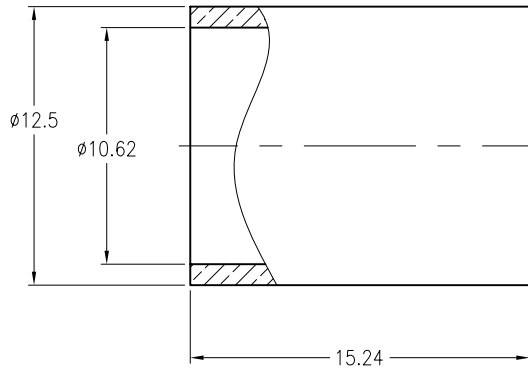
NOTES:

1. MATERIALS AND FINISHES(PLATING THICKNESS IN MICRO-INCHES):
 BODY - BRASS, NICKEL PLATING
 CONTACT - BRASS, GOLD PLATING
 INSULATOR - PTFE, NATURAL
2. ELECTRICAL:
 A. IMPEDANCE: 50 OHM
 B. FREQUENCY RANGE: DC 0-11 GHz
 C. VSWR(RETURN LOSS): 1.3, MAX.
 D. DIELECTRIC WITHSTANDING VOLTAGE: 1500 VRMS, MIN.
3. MECHANICAL:
 A. DURABILITY: 500 CYCLES MIN.
 B. TEMPERATURE RANGE: - 65°C to +165°C
4. SEE AMPHENOL SPEC. 349-50586 FOR CABLE STRIPPING AND ASSEMBLY INSTRUCTIONS

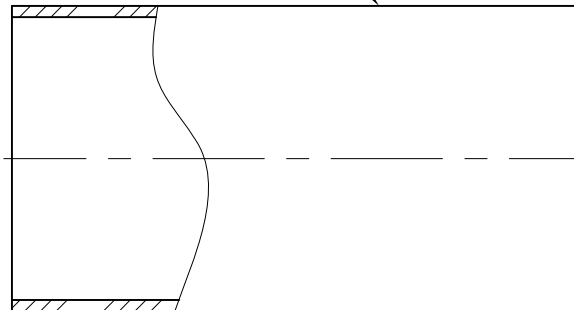
THIRD ANGLE PROJ.

REVISIONS

REV	DESCRIPTION	DATE	ECO	APPR
A2	ADD STAMP DESCRIPTION\N/A	29-Oct-02	--	TONY
A3	SEE SHEET 1	21-Apr-03	--	TONY
E	SEE SHEET 1	23-Jun-08	47077	TONY
F	SEE SHEET 1	23-Jun-08	47603	SH
G	SEE SHEET 1	04-Nov-10	48326	SCOTT



HEAT SHRINK TUBING



CUSTOMER OUTLINE DRAWING

ALL OTHER SHEETS ARE FOR INTERNAL USE ONLY

UNLESS OTHERWISE SPECIFIED, DIMENSIONS ARE IN METRIC AND TOLERANCES ARE: 0.5 - 6mm ±0.1mm 6 - 30mm ±0.2mm 30 - 120mm ± 0.3mm ANGLES ±1°	MATERIAL	DRAWN M.ZHANG	DATE 04-Nov-10	TITLE TNC JACK REVERSE INTERFACE (FOR BELDEN 9913 CABLE)	Amphenol RF Danbury CT USA, Tainan Taiwan, Shenzhen China www.amphenolrf.com	
	REFERENCE	ENGINEER N.CAO	DATE 22-Apr-03	APPROVED S.HSIEH	DATE 04-Nov-10	DRAWING NO. 31-5684
NOTICE - These drawings, specifications, or other data (1) are, and remain the property of Amphenol Corp. (2) must be returned upon request; and (3) are confidential and not to be disclosed to any person other than those to whom they are given by Amphenol Corp. The furnishing of these drawings, specifications, or other data by Amphenol Corp., or to any other person to anyone for any purpose is not to be regarded by implication or otherwise in any manner licensing, granting rights or permitting such holder or any other person to manufacture, use or sell any product, process or design, patented or otherwise, that may in any way be related to or disclosed by said drawings, specifications, or other data.	FINISH	CAD FILE F:\DWG\CNPD\31\5684-GSZ	SCALE: 3/1	SHEET 2 OF 2	ITEM NO. 31-5684	PART NO. 31-5684
		DWG SIZE B	CODE ID 74868	REV G		