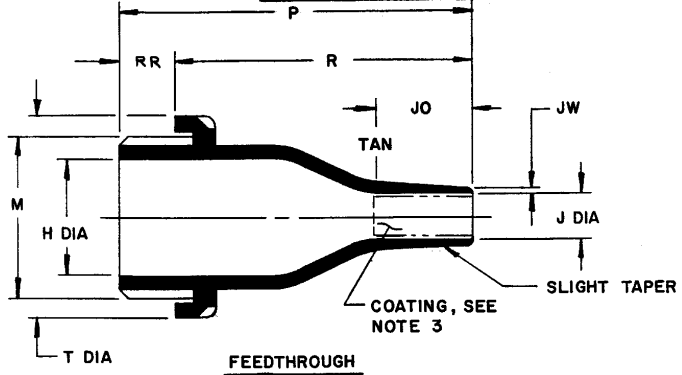
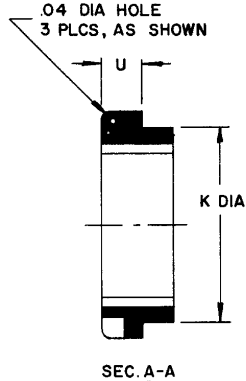
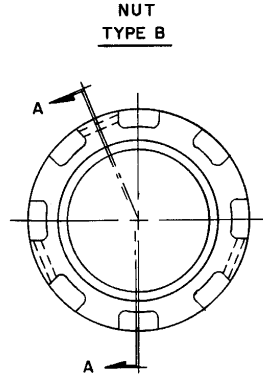


REVISIONS			
LTR	DESCRIPTION	DATE	APPROVED
D	ADD "RR"; "R" WAS ±10%	7-30-84	OW S&T BY: RH AS REF
E	DELETE DUST CAP REQUIREMENT	12-15-88	JLD



PART NO.	H		J		JO	K	M	P	R	T	U	JW	MINIMUM	RR
	REF	MIN	MAX	MAX	REF	THREAD	±10%	REF	REF	±10%	±20%	BULKHEAD	THICKNESS	±10%
	b	a	b	b	b	b	b	b	b	b	b	b		b
207W213	.47	.39	.16	.60	.91	.79	2.44	1.78	1.26	.39	.04	.11	.66	
207W223	.79	.71	.28	.76	1.30	1.18	2.83	2.02	1.65	.39	.06	.27	.81	
207W234	1.22	1.10	.47	1.06	1.81	1.65	3.43	2.61	2.28	.39	.08	.24	.82	
207W245	1.77	1.65	.71	1.26	2.34	2.20	4.02	3.20	2.80	.39	.12	.23	.82	
207W256	2.68	2.52	1.18	1.48	3.31	3.15	4.80	3.99	3.82	.39	.12	.27	.81	

ORDERING INFORMATION: 207W213 -3 -A14 /184

Base part number _____

Material dash number _____

-3 Polyolefin, semi-rigid (RT-301)

-100 Polyolefin, semi-rigid, zero halogen (RK-6717)

Modification dash number _____

Coating slash number _____

/42 Adhesive (S-1017)

/184 Adhesive (S-1030)

- NOTES:
- All dimensions are in inches.
 - Dimensions appearing in table are as follows; a-As supplied b-After unrestricted recovery
 - Coating is optional. As supplied dimensions shown in table are uncoated; "J" entry diameter shown will be reduced by .06 MAX when coating is added. (see ordering information)
 - "O" ring supplied with each part.

If this document is printed it becomes uncontrolled. Check for the latest revision.

SPECIFICATION CONTROL DRAWING (LIMITED DISTRIBUTION)

THIS DRAWING AND THE INFORMATION SET FORTH HEREON ARE THE PROPERTY OF RAYCHEM CORPORATION, AND ARE TO BE HELD IN TRUST AND CONFIDENCE. PUBLICATION, DUPLICATION, DISCLOSURE, OR USE FOR ANY PURPOSE NOT EXPRESSLY AUTHORIZED IN WRITING BY RAYCHEM CORPORATION IS PROHIBITED.	DRAWN	C. W. P. 4-2-83	 RAYCHEM CORPORATION 300 CONSTITUTION DRIVE MENLO PARK, CALIFORNIA 94025	
	CHECKED			
	DSGN APPD	S. J. 4-2-83		
	MFG APPD	R. H. 5-2-83		
	QC APPD	D. H. 5-2-83		
MKTG APPD	R. H. 5-2-83	TITLE	FEEDTHROUGH SEAL	
NO. 06900	PROJECT	CODE IDENT.	207W213 THRU 256-X-A14	DWG. NO.
NO. 06900	PROJECT	SIZE B	SCALE	SHEET OF

