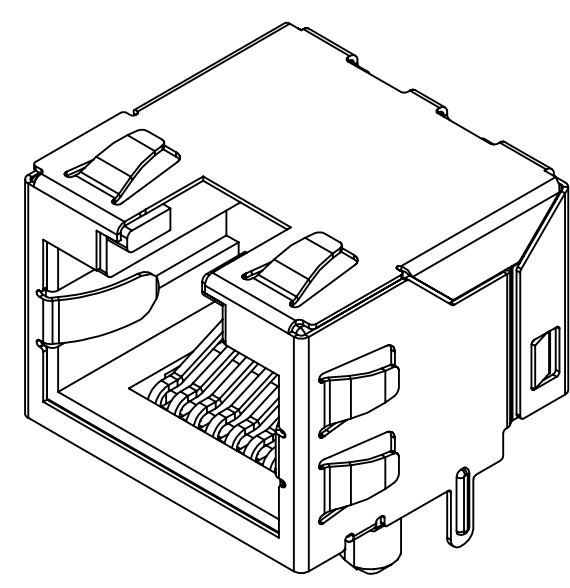
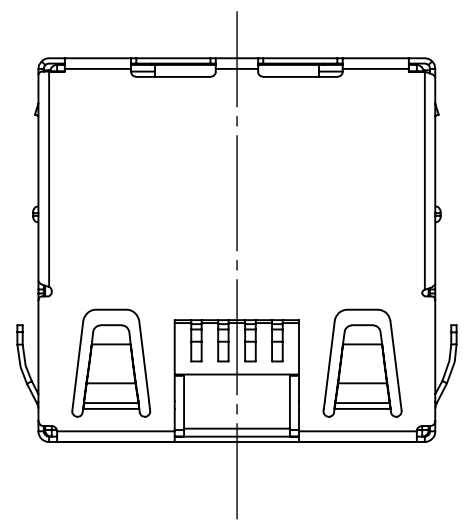
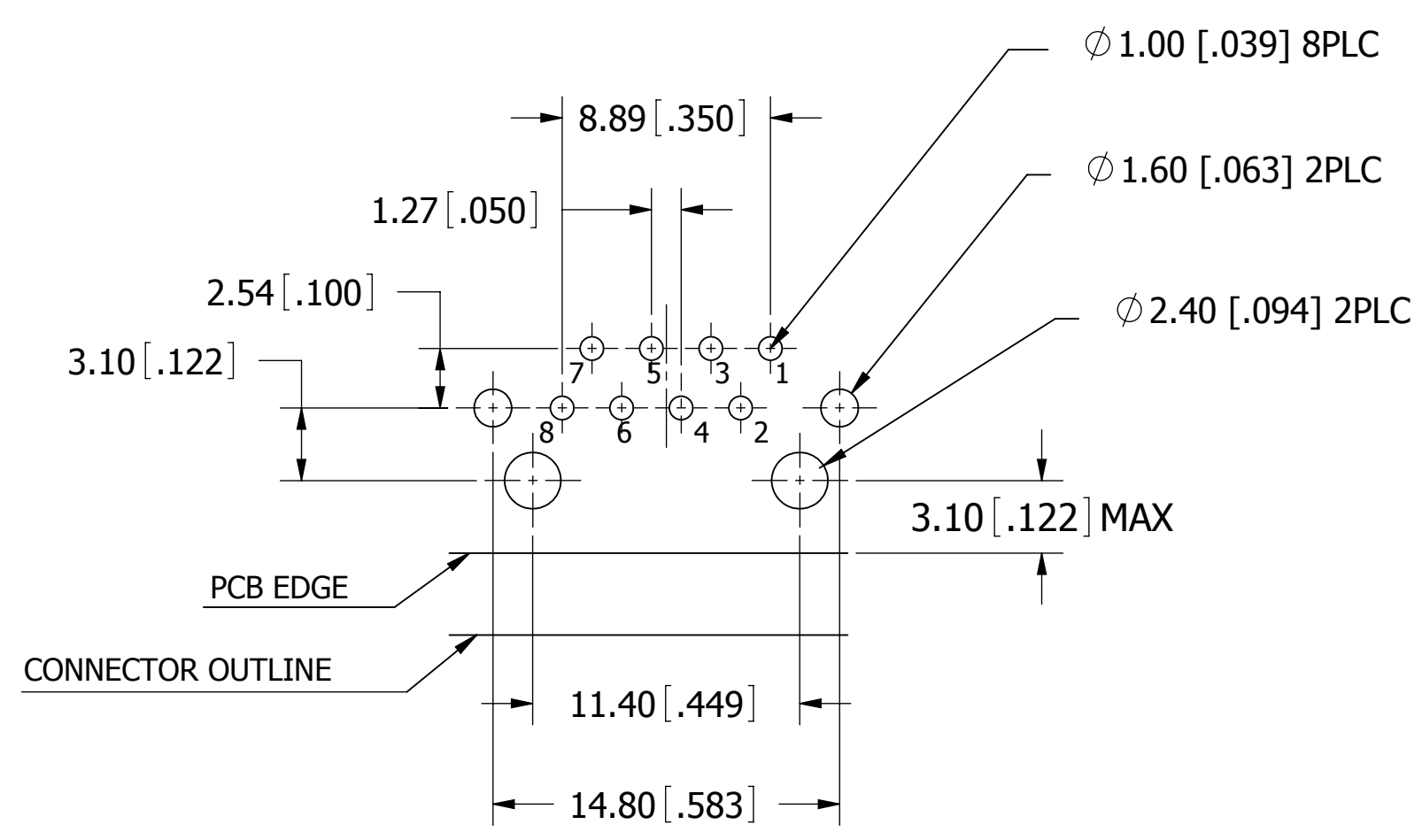
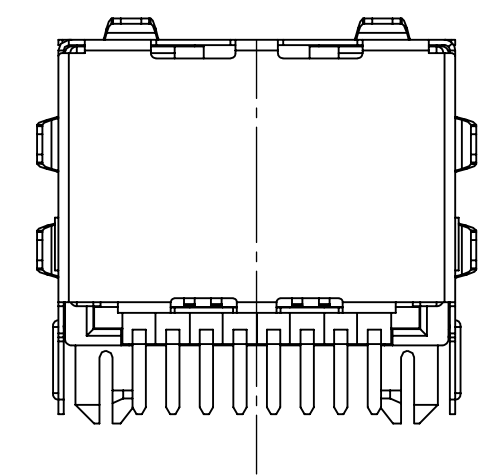
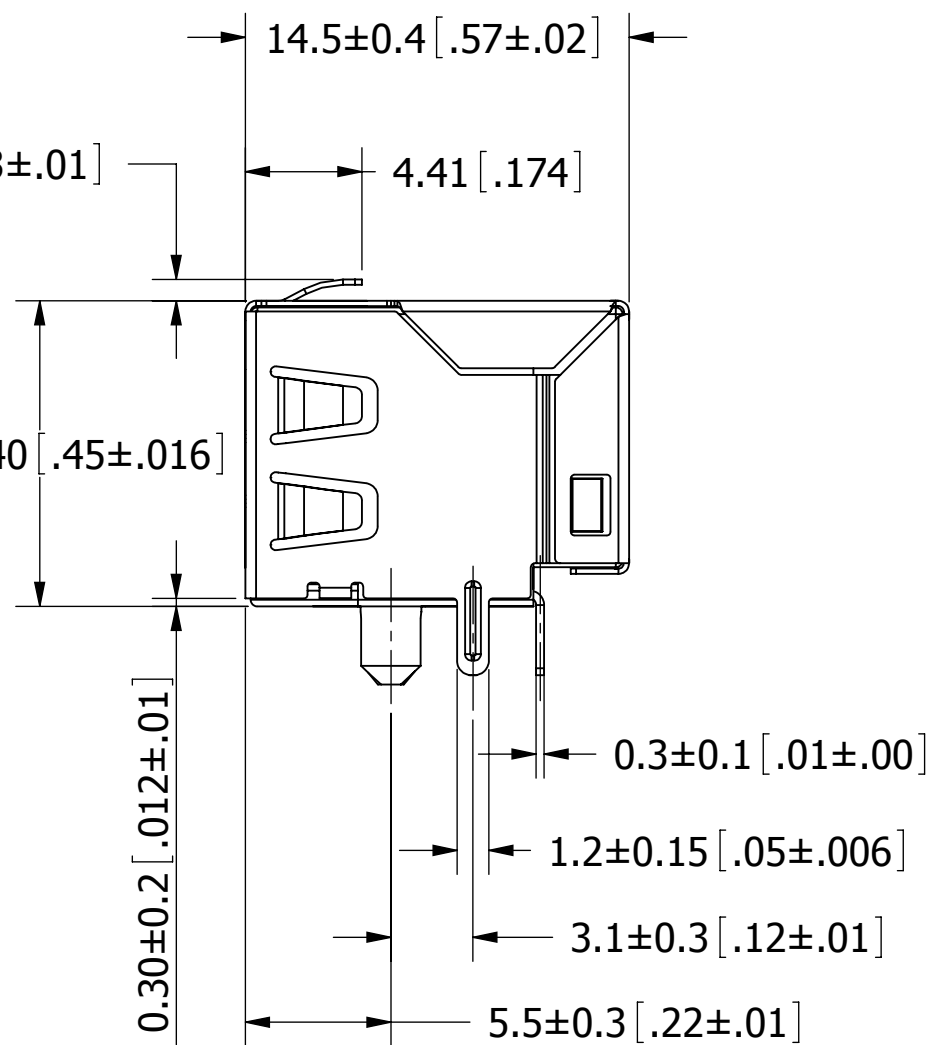
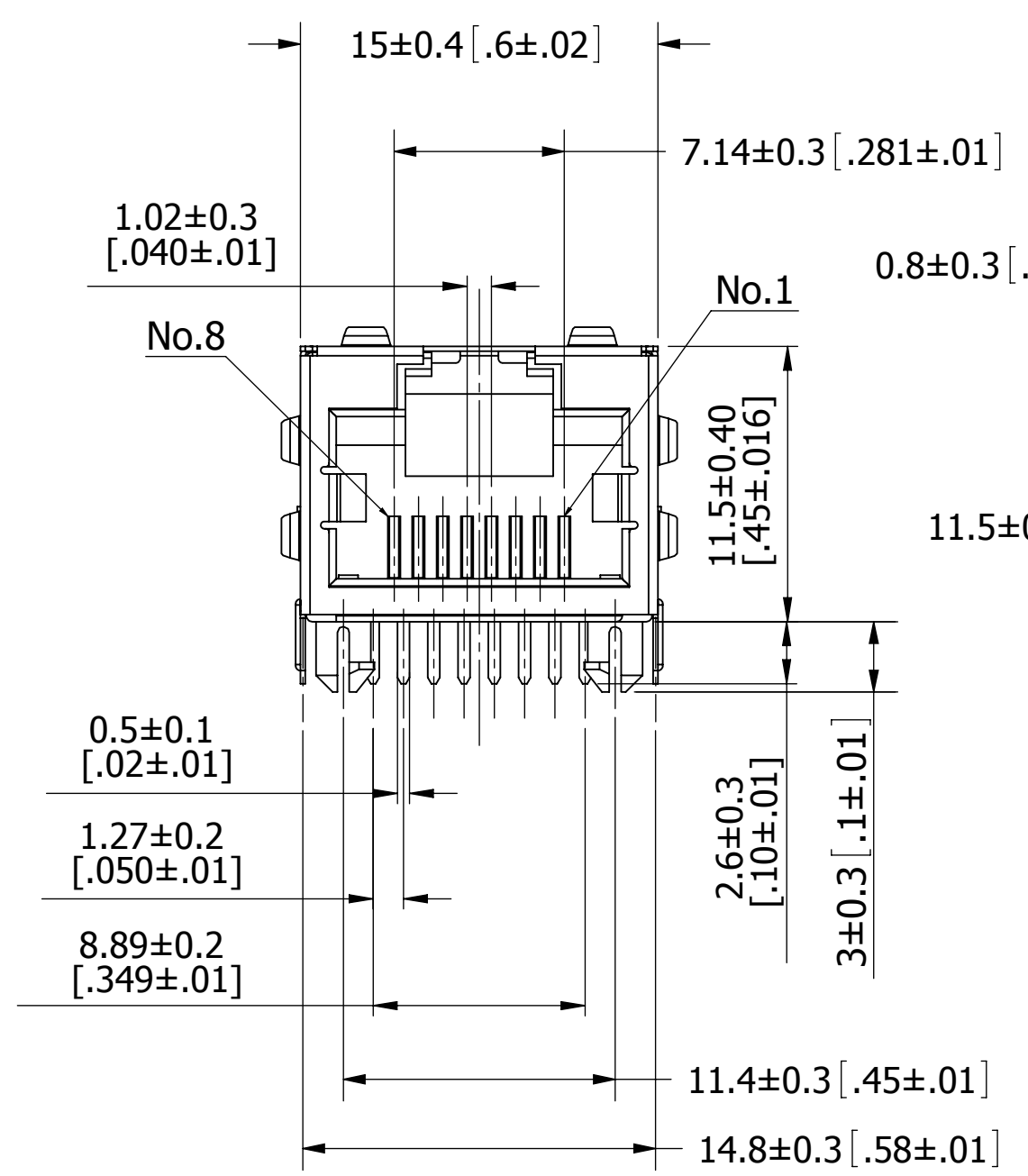


REVISIONS				
REV.	ECO. NO	DESCRIPTION	DATE	BY
A	2406	INITIAL RELEASE	08/02/2011	LH

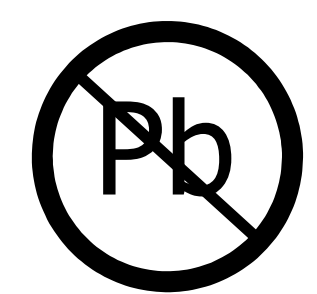
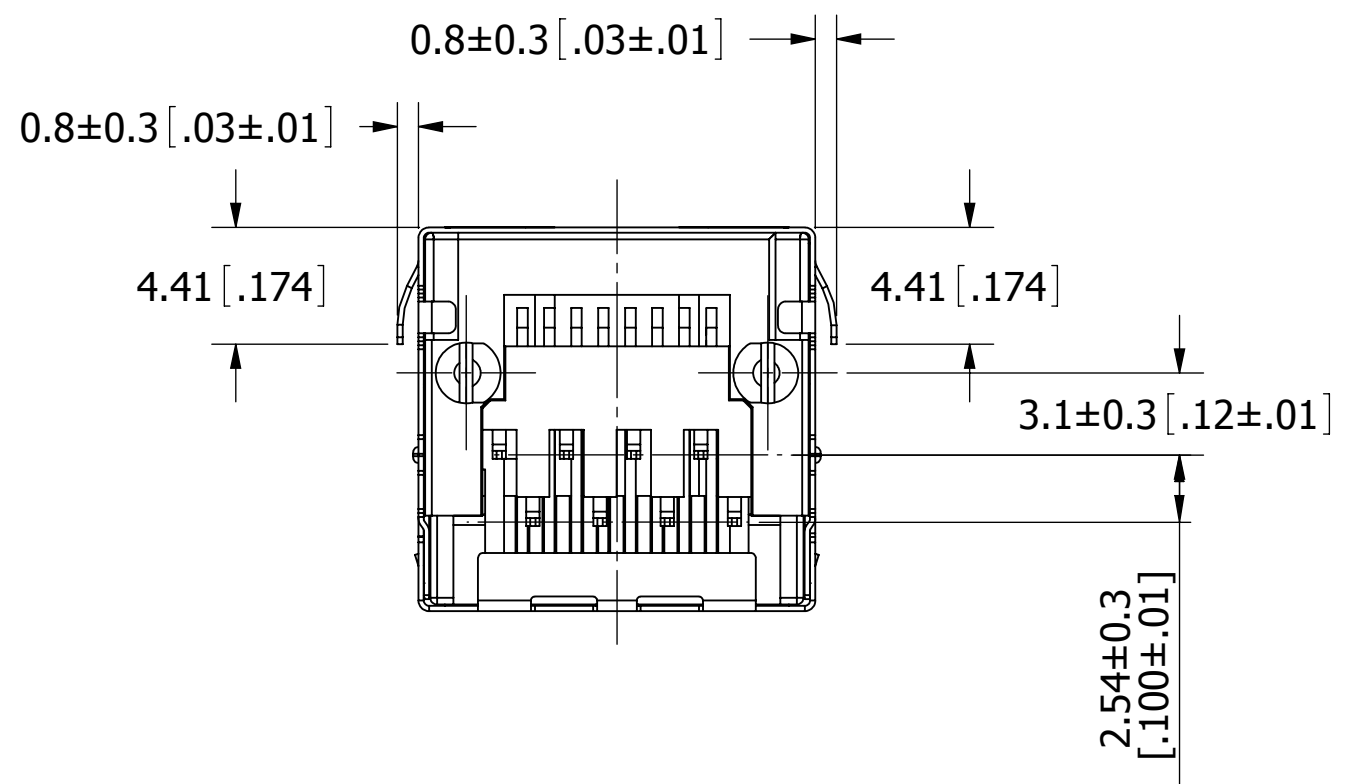


**NOTES:**

- MATERIAL:**  
 SHELL: 0.20mm THICKNESS, BRASS.  
 HOUSING: THERMOPLASTIC, UL 94 V-0, COLOR: BLACK.  
 INSERT: THERMOPLASTIC, UL 94 V-0, COLOR: BLACK.  
 TERMINAL: 0.30mm THICKNESS, PHOSPHOR BRONZE.
- PLATING:**  
 TERMINAL:  
 CONTACT AREA: .000050" GOLD ON CONTACT SURFACE.  
 SOLDER TAIL: .000100" MIN TIN ON TERMINATION.  
 UNDER PLATE: .000050" MIN NICKEL UNDERPLATE.  
 SHELL:  
 UNDER PLATE: .000030" MIN NICKEL UNDERPLATE.  
 (SOLDERING AVAILABLE)  
 SURFACE APPEARANCE: BRIGHT NICKEL.



**RECOMMENDED P.C.B LAYOUT**  
 TOLERANCE: ±0.05 [.002]



**RoHS COMPLIANT**

UNLESS OTHERWISE SPECIFIED: DIMENSIONS ARE IN MM[INCHES]	DRAWN	DATE	NAME	
		08/02/2011	LH	
TOLERANCES: ANGULAR: .X±.25 [.01] .XX±.15 [.006] .XXX±.100 [.0040]	THE INFORMATION HEREIN CONTAINS PROPRIETARY INFORMATION OF SULLINS ELECTRONICS AND IS NOT TO BE REPRODUCED, USED OR DISCLOSED TO OTHERS FOR ANY PURPOSE EXCEPT AS SPECIFICALLY AUTHORIZED IN WRITING BY AN OFFICER OF SULLINS ELECTRONICS.			TITLE
	INTERPRET DIMENSIONS AND TOLERANCING PER: ASME Y14.5M-2009			RJ45 WITHOUT TRANSFORMER/LED, RA, DIP TYPE
PART NUMBER				SMJ400-S88N-DS-01
SIZE	CAGE CODE	DWG. NO.	REV	
C	54453	11822	A	
SCALE: 3.5:1			SHEET 1 OF 1	