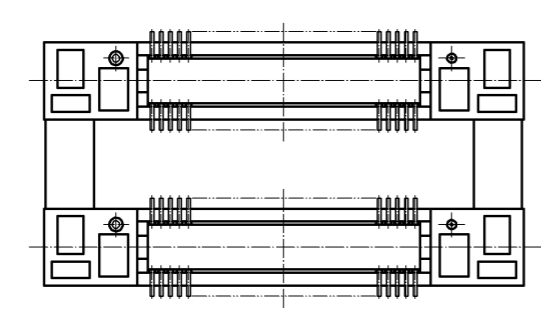
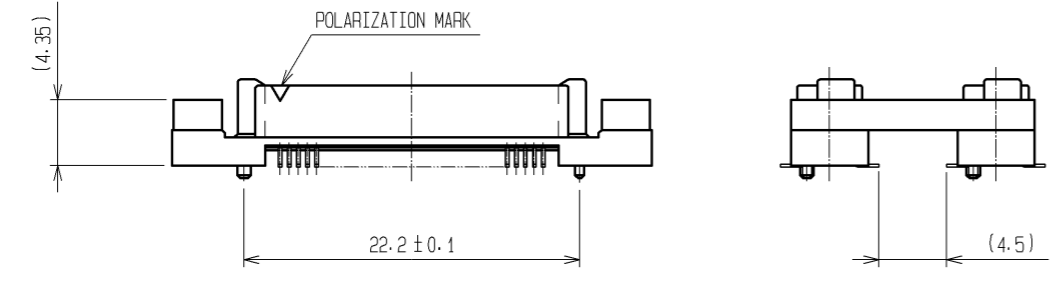
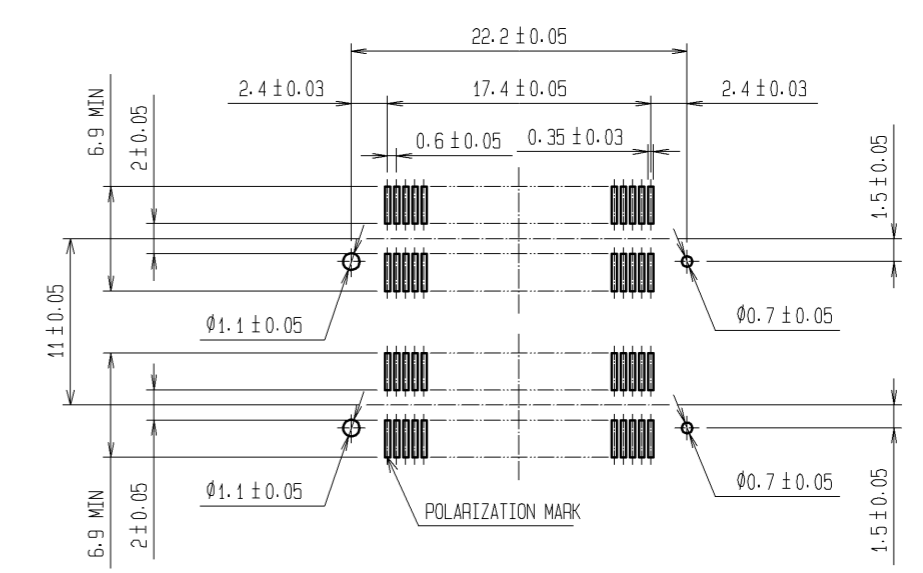


RECOMMENDED LAND PATTERN DIMENSION  
OF PCB(MOUNTING SIDE)  
(RECOMMENDED METAL MASK THICKNESS:0.15mm)

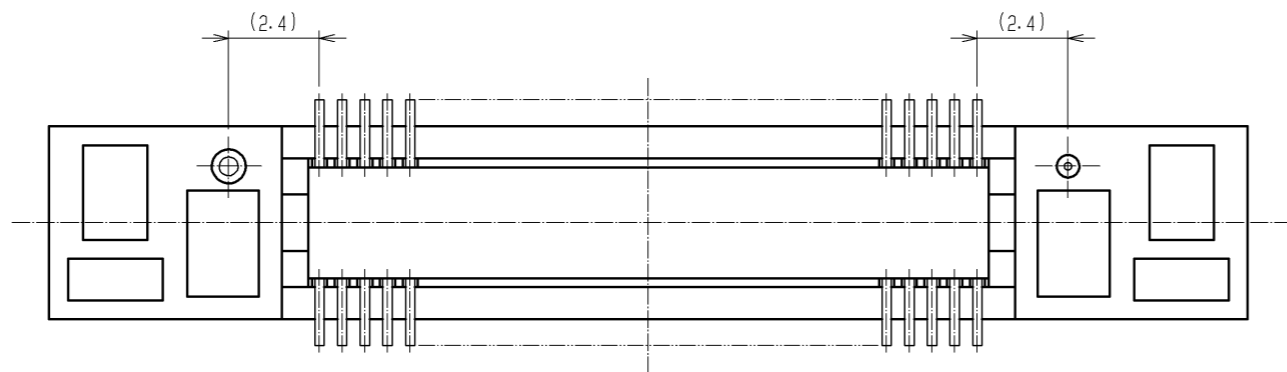
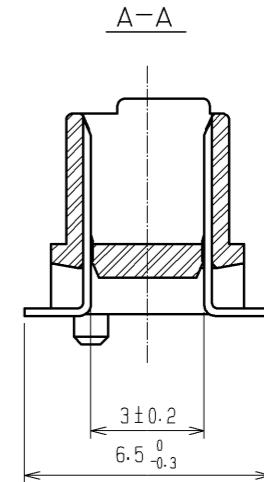
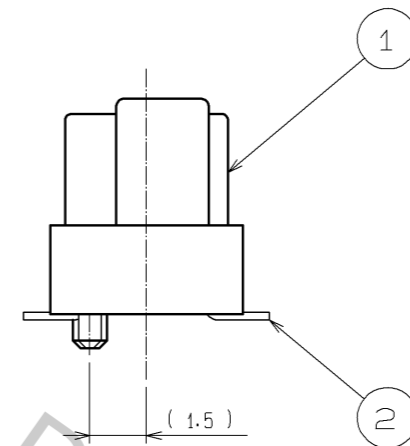
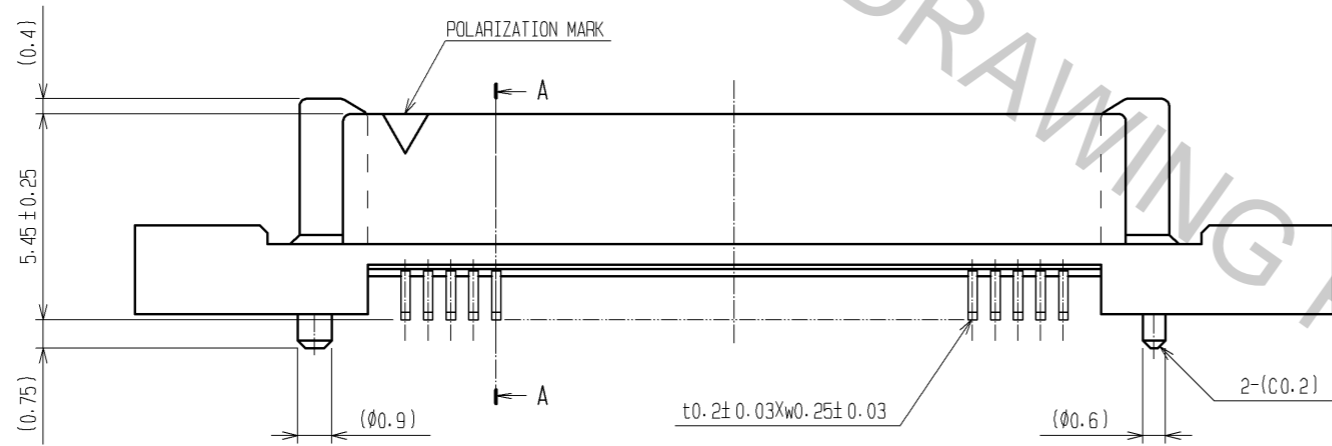
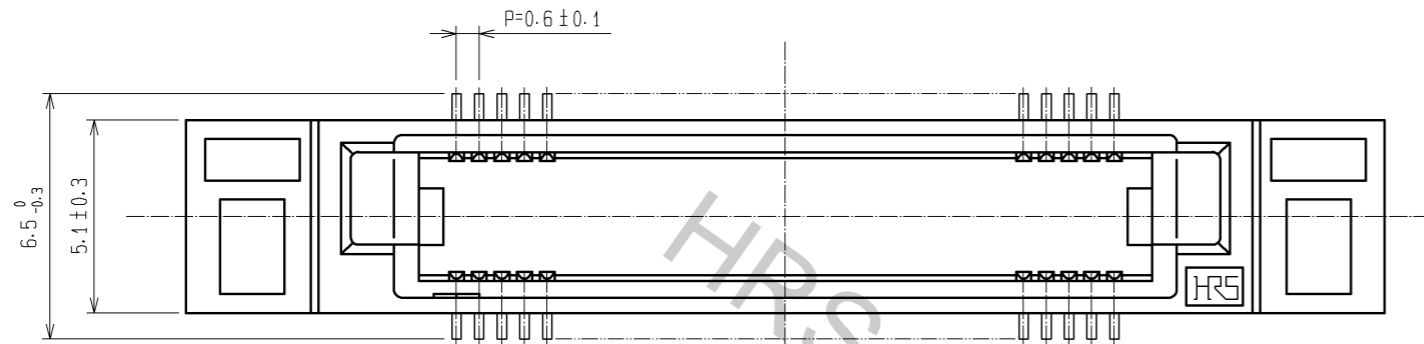


- NOTES
- 1 LEAD CO-PLANARITY SHALL BE 0.1mm MAX.
  - 2 AFTER MOUNTING BOARD, REF.NO.3 SHALL BE REMOVED.
  - 3 FOR MODIFICATION, ETC., PREVENTIVE HOLE FOR SINK MARK MAY BE ADDED DEPENDS ON CIRCUMSTANCES.
  - 4 THE DIMENSIONS IN PARENTHESES ARE FOR REFERENCE.

1. 3	PPS	LIGHT BROWN (UL94V-0)	2	PHOSPHOR BRONZE	CONTACT AREA : GOLD 0.1µm min. LEAD AREA:TIN-PLATING 1µm min. UNDER PLATING:NICKEL 1µm min.		
NO.	MATERIAL	FINISH . REMARKS	NO.	MATERIAL	FINISH . REMARKS		
UNITS mm		SCALE 2 : 1	COUNT 	DESCRIPTION OF REVISIONS	DESIGNED	CHECKED	DATE
HIROSE ELECTRIC CO., LTD.				APPROVED : HS. OKAWA 11. 03. 10 CHECKED : HT. YAMAGUCHI 11. 03. 10 DESIGNED : AH. EDASHIGE 11. 03. 04 DRAWN : AH. EDASHIGE 11. 03. 04	DRAWING NO. EDC3-150911-25 PART NO. FX8C-60/60P11-SV1J(71) CODE NO. CL578-0671-9-71		

HRS DRAWING FOR REFERENCE

DETAIL AFTER REMOVING JOINT



NOTES THE DIMENSIONS IN PARENTHESES ARE FOR REFERENCE.

<b>HRS</b>	DRAWING NO.	EDC3-150911-25
	PART NO.	FX8C-60/60P11-SV1J(71)
	CODE NO.	CL578-0671-9-71
		$\triangle$ 2/2