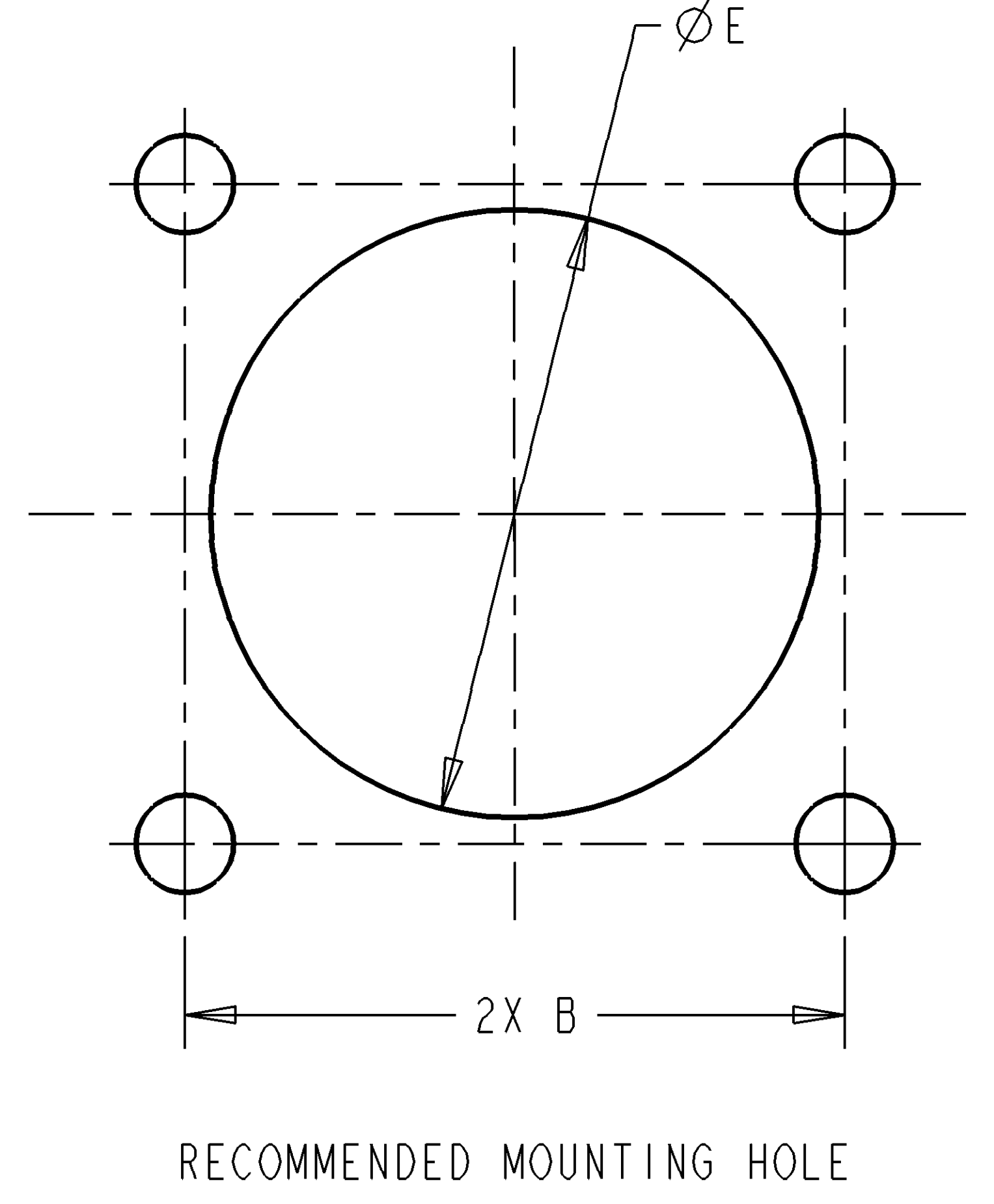
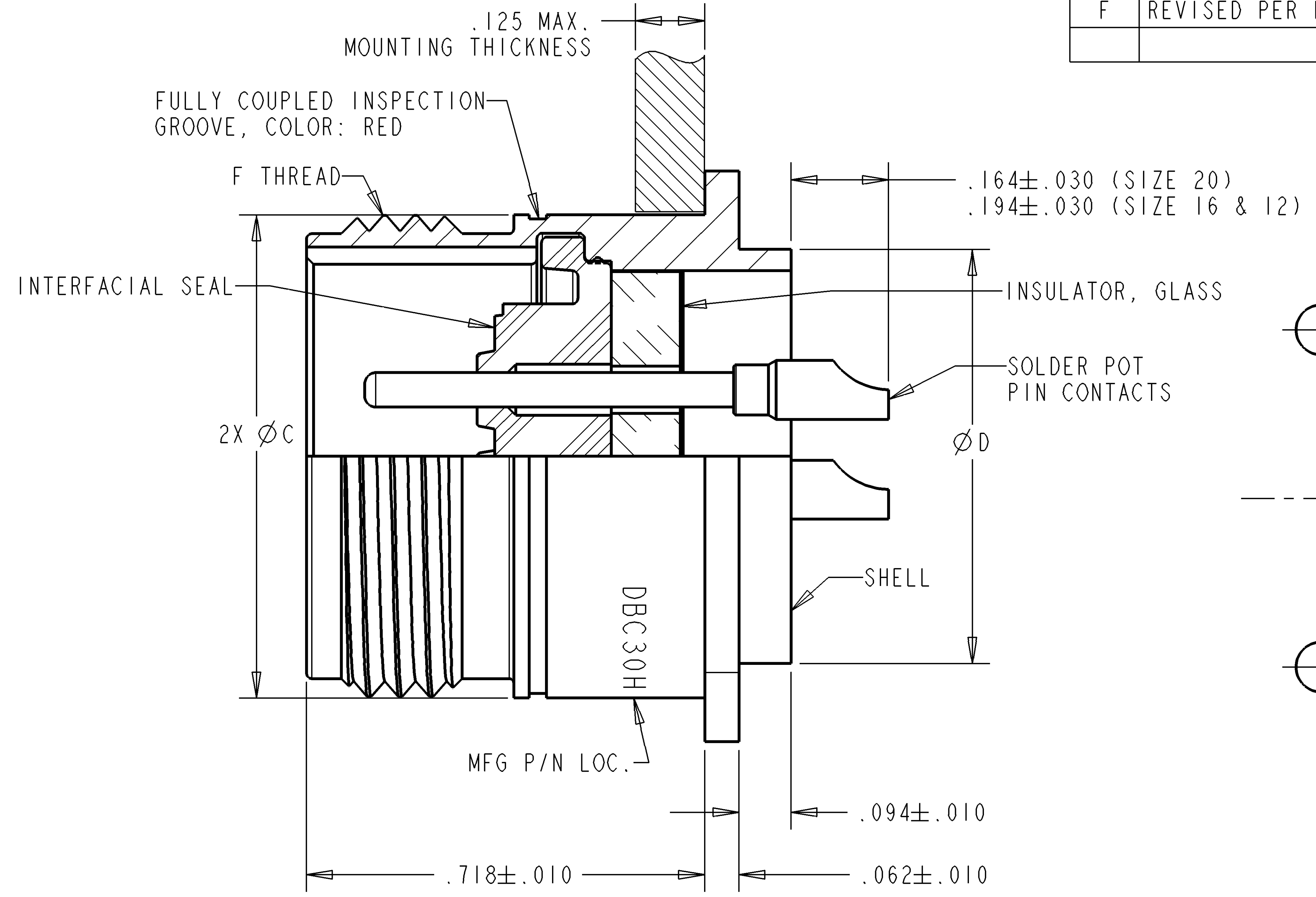
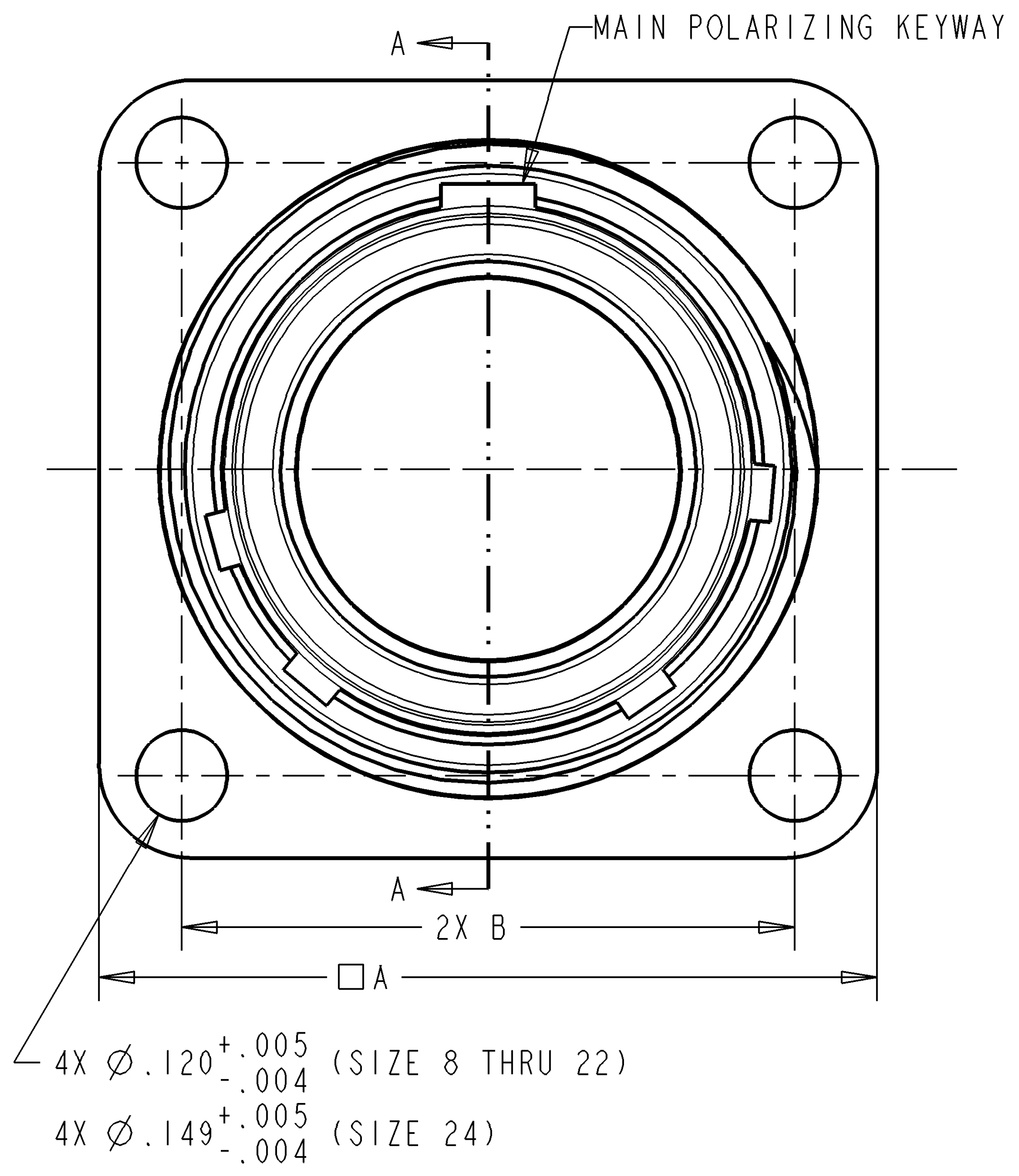


PROPERTY OF DEUTSCH E.C.D
 THIS DRAWING CONTAINS PROPRIETARY INFORMATION THAT SHALL NOT BE DISCLOSED, DUPLICATED,
 NOR USED IN WHOLE OR IN PART FOR ANY PURPOSE OTHER THAN TO EVALUATE THIS DRAWING.

F DBC30H**-*P*

REVISIONS			
REV	DESCRIPTIONS	DATE	APPROVED
D	REVISED PER E.O.H2756	8-26-99	L.STOLLE
E	REVISED PER E.O.H2859	11-3-99	L.STOLLE
F	REVISED PER E.O. H3322	2/20/01	L.STOLLE



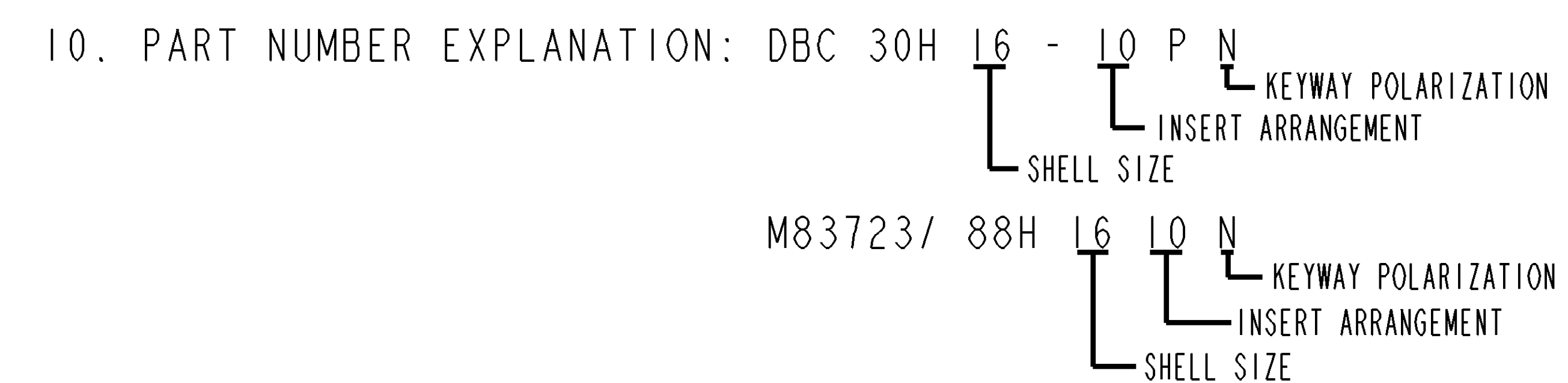
SECTION A-A

- DIMENSIONS ARE IN INCHES UNLESS OTHERWISE SPECIFIED.
- INSERT ARRANGEMENT PER MIL-STD-1554
- LEAK RATE: $< 1 \times 10^{-8}$ cc/sec He @ 1 atm.
- ELECTRICAL REQUIREMENTS MEET MIL-C-83723 SERIES III.
- MATERIAL:
 SHELL - C1215 COLD ROLLED STEEL
 INSULATOR - COMPRESSION GLASS INSERT
 CONTACT - 52 HIGH NICKEL-IRON ALLOY
 INTERFACIAL SEAL - FLUOROSILICONE ELASTOMER
- FINISH:
 SHELL - TIN OVER NICKEL PLATED
 CONTACT - GOLD OVER NICKEL PLATED
- MATES WITH DBA36-**-S*, CONSULT FACTORY FOR INSERT ARRANGEMENT.
- MIL-C-83723 SERIES III CONNECTORS ARE INTERCHANGEABLE WITH INACTIVE MIL-C-26500 CONNECTORS.

9
9

SHELL SIZE	DEUTSCH P/N	MILITARY P/N	A ± .005	B ± .005	Ø C MAX.	Ø D ^{+0.002} _{-0.004}	E ^{+0.010} _{-0.000} FOR "Ø C"	E ^{+0.010} _{-0.000} FOR "Ø D"	F THREAD-2A
8	DBC30H-8-*P*	M8372388H08**	.812	.594	.562	.499	.570	.508	.5625-24 UNEF
10	DBC30H-10-*P*	M8372388H10**	.937	.719	.696	.561	.706	.571	.6875-24 UNEF
12	DBC30H-12-*P*	M8372388H12**	1.031	.812	.875	.749	.885	.759	.8750-20 UNEF
14	DBC30H-14-*P*	M8372388H14**	1.125	.906	.936	.811	.946	.821	.9375-20 UNEF
16	DBC30H-16-*P*	M8372388H16**	1.250	.969	1.062	.936	1.072	.946	1.0625-18 UNEF
18	DBC30H-18-*P*	M8372388H18**	1.343	1.062	1.187	1.061	1.197	1.071	1.1875-18 UNEF
20	DBC30H-20-*P*	M8372388H20**	1.437	1.156	1.312	1.186	1.322	1.196	1.3120-18 UNEF
22	DBC30H-22-*P*	M8372388H22**	1.562	1.250	1.437	1.311	1.447	1.321	1.4375-18 UNEF
24	DBC30H-24-*P*	M8372388H24**	1.703	1.375	1.562	1.436	1.572	1.445	1.5625-18 UNEF

9. CONSULT FACTORY FOR AVAILABILITY.



NOTE(S):

FILE: DBC30H-X-XPX-ENV-SNAP

SIGNATURE & DATE	
DR	F.BAUTISTA 7-8-99
CHK	L.STOLLE 8-26-99
PE	J.AGUILERA 8-26-99
APPD	J.AGUILERA 8-26-99
SCALE:	4.000

RECEPTACLE, CONNECTOR
 THREADED COUPLING
 SQUARE FLANGE MOUNT
 MIL-C-83723 SERIES III
 HERMETIC
 ENVELOPE

CP	MATL CODE 74
DEUTSCH ENGINEERED INTERCONNECT SOLUTIONS 250 Eddie Jones Way Oceanside, CA 92054	
C	DBC30H**-*P*
DWG SIZE	CAGE CODE 11139 SHEET 1 OF 1