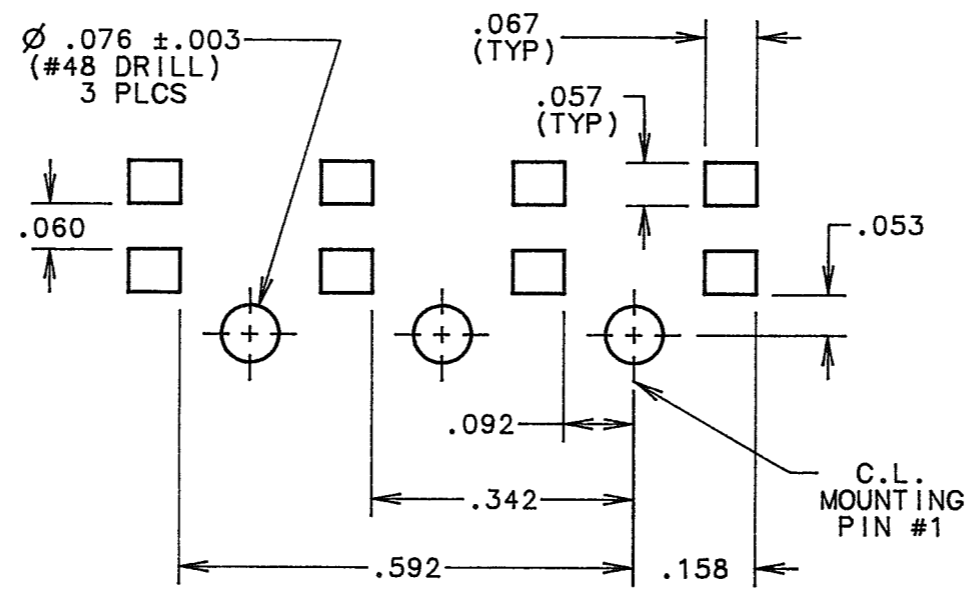
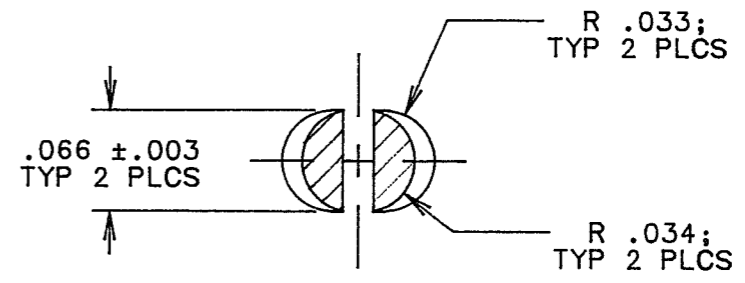


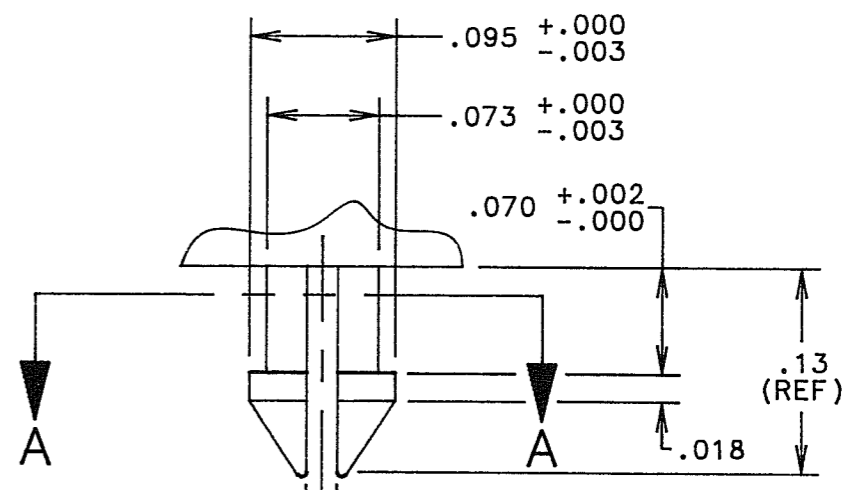
DIFFUSED & CURVED FRONT SURFACES



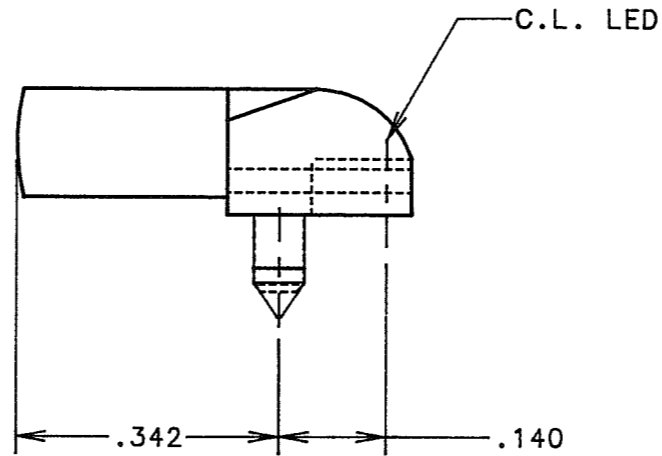
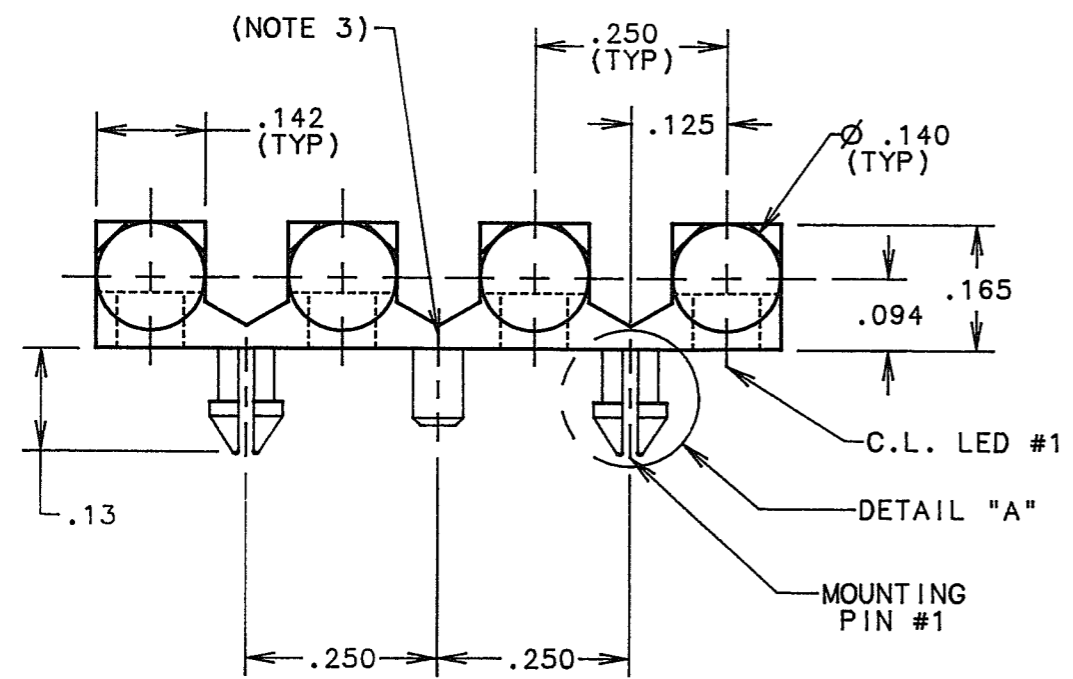
RECOMMENDED SOLDER PAD & HOLES LAYOUT



SECTION A-A



DETAIL "A"
SCALE 8:1
(2 PLCS)



NOTES:

1. COMPONENT TO BE MOLDED IN A CLEAR TRANSMISSIVE POLYCARBONATE AND TO BE SIMILAR TO EXISTING 515-1020 EXCEPT WITH COMPLIANT PINS.
2. COMPONENT DESIGNED WITH "COMPLIANT PINS" TO POSITIVELY LOCK PART ONTO P.C. BOARD. PINS ARE SIMILAR TO 515-1037 LIGHTPIPE.
3. MIDDLE PIN USED FOR ALIGNMENT PURPOSES ONLY.

B		.095 +.000 / -.003 WAS .090 +.000 / -.003, AND DELETED .060 +.002 / -.000 & ANGULAR STEPS ON PINS.	M.C.	D.C.	4-15-97
A		NEW RELEASE	M.C.	N.O.	10-28-96
LTR	ECN NO.	REVISIONS	DRN.	APP.	DATE
THIS DRAWING AND THE CONTENTS HEREIN ARE CONFIDENTIAL AND THE SOLE PROPERTY OF DIALIGHT. REPRODUCTION OF THIS DRAWING OR CONSTRUCTION OF ANY PARTS WITHIN THIS DRAWING ARE FORBIDDEN WITHOUT THE PRIOR WRITTEN CONSENT OF DIALIGHT.					
SCALE: 4:1		CUSTOMER DRAWING NO.		DWG. REV.	
TOLERANCES: UNLESS OTHERWISE SPECIFIED ALL DIM'S IN: INCHES		C-16130		B	
FRACTIONS: $\pm 1/64$ DECIMALS(.XX) $\pm .02$ DECIMALS(.XXX) $\pm .015$ ANGLES $\pm 3'$		TITLE 4-ELEMENT LIGHTPIPE			
FINISH:		PART NUMBER 515-1048			
FSCM 83330		Dialight		1913 Atlantic Ave. Manasquan, NJ 08736	