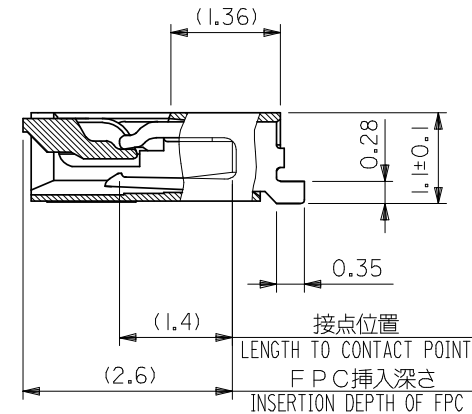
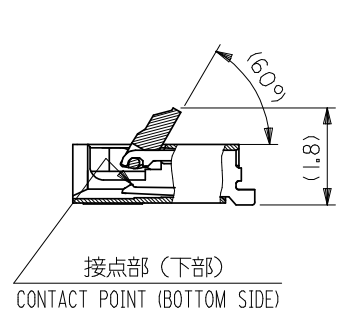
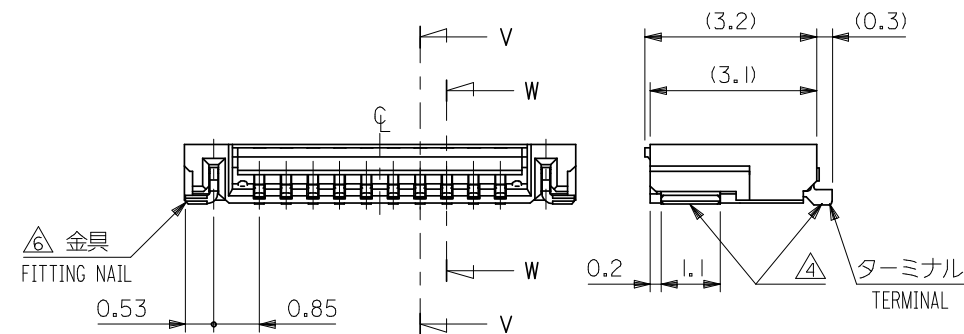


断面 V-V 奇数極  
SECT. V-V (Scale 15:1) (ODD CIRCUIT)

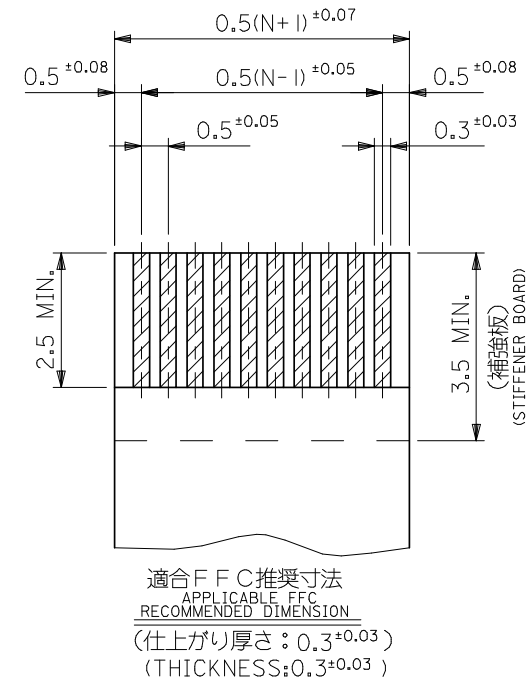
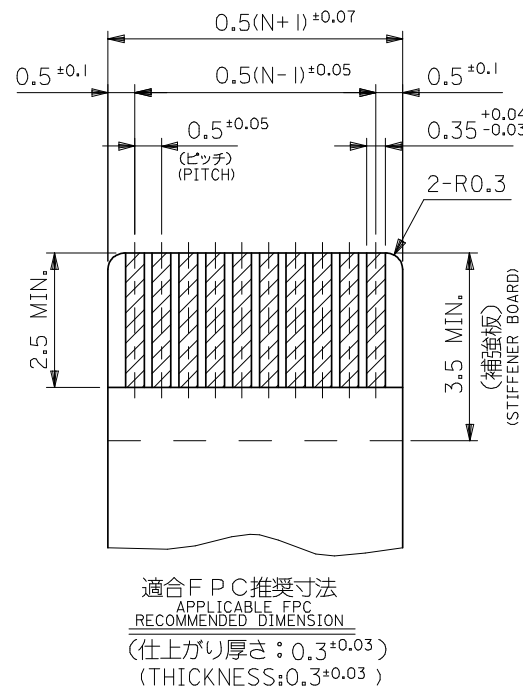
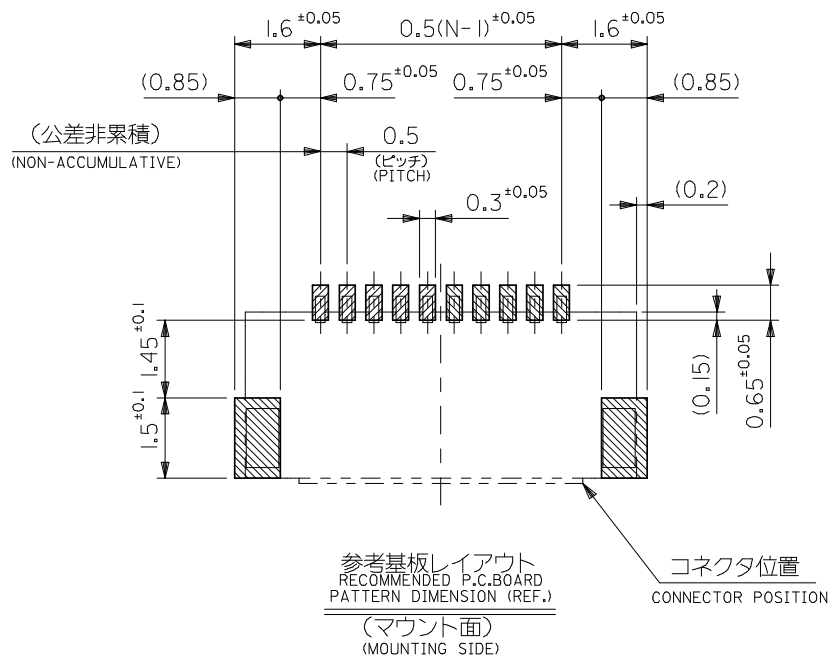


断面 W-W 偶数極  
SECT. W-W (Scale 15:1) (EVEN CIRCUIT)



12.3	11.5	14.3	51441-2493	51441-2441	24
11.3	10.5	13.3	51441-2293	51441-2241	22
10.3	9.5	12.3	51441-2093	51441-2041	20
9.3	8.5	11.3	51441-1893	51441-1841	18
8.8	8.0	10.8	51441-1793	51441-1741	17
8.3	7.5	10.3	51441-1693	51441-1641	16
6.8	6.0	8.8	51441-1393	51441-1341	13
6.3	5.5	8.3	51441-1293	51441-1241	12
5.8	5.0	7.8	51441-1193	51441-1141	11
5.3	4.5	7.3	51441-1093	51441-1041	10
4.8	4.0	6.8	51441-0993	51441-0941	9
4.3	3.5	6.3	51441-0893	51441-0841	8
3.8	3.0	5.8	51441-0793	51441-0741	7
3.3	2.5	5.3	51441-0693	51441-0641	6
C	B	A	EMBOSSED TAPE	製品番号	極数
			ORDER No. オーダー番号	MATERIAL No.	CIRCUIT
			51441-***41	MODEL NO.	
			SCALE 10:1	DESIGN UNITS METRIC	THIRD ANGLE PROJECTION
			TITLE		
			0.5 FPC CONN. E/O HSG ASSY BTM CONT(H=1.1) -LEAD FREE-		
			MOLEX MOLEX INCORPORATED		
			MATERIAL NO.	DOCUMENT NO.	SHEET NO.
			SEE TABLE	SD-51441-007	1 OF 2
THIS DRAWING CONTAINS INFORMATION THAT IS PROPRIETARY TO MOLEX INCORPORATED AND SHOULD NOT BE USED WITHOUT WRITTEN PERMISSION					

REVISED EC NO: J2008-4048 DRWN:MNABEI 2008/06/13 CHKD:THARUYAMA 2008/06/16 APPR:NUKITA 2008/06/16	GENERAL TOLERANCES (UNLESS SPECIFIED)		DIMENSION STYLE MM ONLY		SCALE 10:1		DESIGN UNITS METRIC		THIRD ANGLE PROJECTION	
	10 UNDER	±0.2	DRAWN BY	DATE	TITLE					
	10 OVER 30 UNDER	±0.25	M. HAYASHI	2003/12/22	0.5 FPC CONN. E/O HSG ASSY BTM CONT(H=1.1) -LEAD FREE-					
	30 OVER	±0.3	CHECKED BY	DATE	MOLEX MOLEX INCORPORATED					
	ANGULAR	±3°	K. TOJO	2003/12/22	MATERIAL NO. SEE TABLE DOCUMENT NO. SD-51441-007 SHEET NO. 1 OF 2					
	DRAFT WHERE APPLICABLE MUST REMAIN WITHIN DIMENSIONS		APPROVED BY		DATE					
			M. SASAO		2003/12/22					



注記 NOTES

1. 使用材料 MATERIAL

ハウジング : 液晶ポリマー ガラス充填, UL94V-0 (ベージュ)  
HOUSING LIQUID CRYSTAL POLYMER GLASS FILLED, UL94V-0(BEIGE)

アクチュエータ : ポリフェニレンサルファイド ガラス充填, UL94V-0 (黒)  
ACTUATOR POLYPHENYLENE SULFIDE GLASS FILLED, UL94V-0(BLACK)

ターミナル : リン青銅 (t=0.18)  
TERMINAL PHOSPOR BRONZE

金具 : リン青銅 (t=0.15)  
FITTING NAIL PHOSPOR BRONZE

2. メッキ仕様 PLATING

ターミナル TERMINAL  
ニッケル下地鍍ビスマスメッキ  
TIN-BISMUTH (LEAD FREE) OVER NICKEL PLATING

金具 FITTING NAIL  
ニッケル下地鍍メッキ  
PURE TIN (LEAD FREE) OVER NICKEL PLATING

3. インボステーブ梱包時は、アクチュエータが閉じた状態とする。  
IN THE PACKAGE, ACTUATOR OF PART NO.51441-\*\*\*II SHOULD BE CLOSED.
- △ソルダータール及び金具の平坦度は、0.1以下。  
SOLDER TAIL AND FITTING NAIL COPLANARITY TO BE 0.1 MAXIMUM.
- △偶数極に適用。  
APPLY FOR EVEN CIRCUIT.
- △パターンはくり止め用金具  
FITTING NAIL FOR PREVENTION OF PEELING OF PCB PATTERN.
7. この製品は 51441-\*\*\*II 及び 51441-\*\*\*3I の鉛フリー品です。  
THIS PRODUCT IS LEAD FREE ITEM OF 51441-\*\*\*II AND 51441-\*\*\*3I.

FPC/FFCについて:

打抜き方向は導体側から補強板側を推奨いたします。  
導体部については軟銅箔35マイクロメートルまたは50マイクロメートルを推奨いたします。  
ABOUT FPC/FFC  
RECOMMENDED PUNCHER DIRECTION : FROM CONDUCTOR SIDE TO STIFFENER FILM SIDE.  
RECOMMENDED CONDUCTOR SPEC :  
THICKNESS OF SOFT COPPER FOIL : 35 MICROMETER OR 50 MICROMETER

FPCについて:

補強フィルム材質はポリイミドを推奨します。  
接着剤は熱硬化接着剤を推奨します。  
ABOUT FPC  
RECOMMENDED MATERIAL :  
STIFFENER FILM : POLYIMIDE  
BONDING AGENT : THERMOSETTING BONDING AGENT

REVISED EC NO: J2008-4048 DRWN:WABEI 2008/06/13 CHKD:THARUYAMA 2008/06/16 APPR:NUKITA 2008/06/16 DESCRIPTION REV	GENERAL TOLERANCES (UNLESS SPECIFIED)		DIMENSION STYLE MM ONLY		51441-***41		MODEL NO.
	10 UNDER	±0.2	DRAWN BY	DATE	SCALE	DESIGN UNITS	THIRD ANGLE PROJECTION
	10 OVER 30 UNDER	±0.25	M. HAYASHI	2003/12/22	10:1	METRIC	
	30 OVER	±0.3	CHECKED BY	DATE	TITLE		
	ANGULAR	±3 °	K. TOJO	2003/12/22	0.5 FPC CONN. E/O HSG ASSY BTM CONT(H=1.1) -LEAD FREE-		
	DRAFT WHERE APPLICABLE MUST REMAIN WITHIN DIMENSIONS		APPROVED BY	DATE	MOLEX INCORPORATED		
		M. SASAO	2003/12/22	SEE SHEET 1	SD-51441-007	2 OF 2	
				SIZE	THIS DRAWING CONTAINS INFORMATION THAT IS PROPRIETARY TO MOLEX INCORPORATED AND SHOULD NOT BE USED WITHOUT WRITTEN PERMISSION		
				A3			

10 9 8 7 6 5 4 3 2 1

F

E

D

C

B

A

F

E

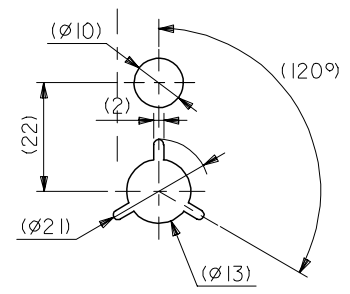
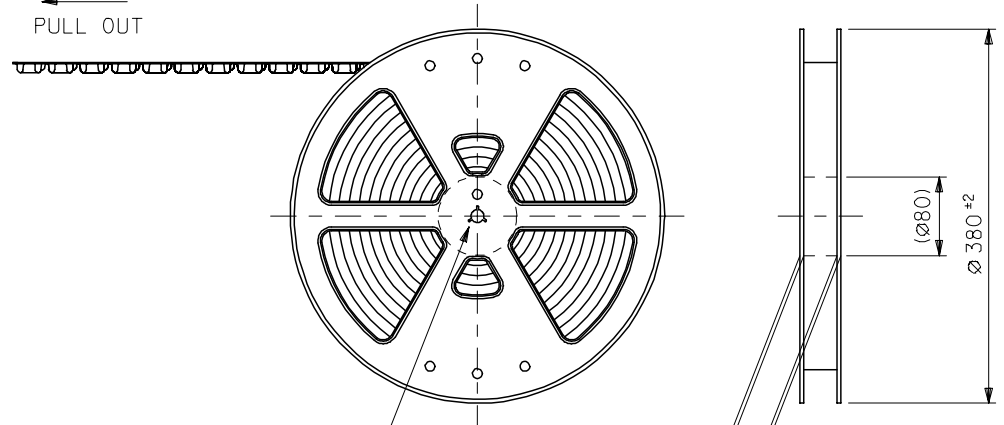
D

C

B

A

引き出し方向  
PULL OUT

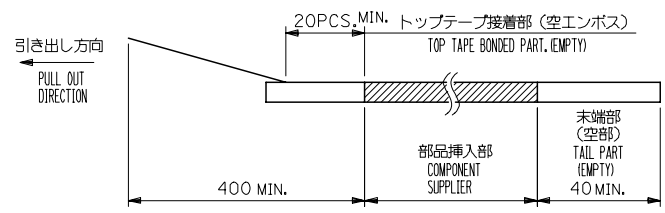


DETAIL "F"

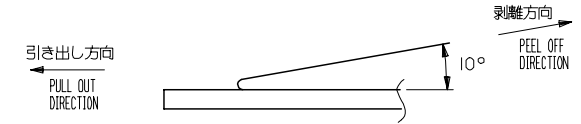
E ± 1  
G ± 1

注記 NOTES

- 製品詳細寸法については、図面SD-51441-007を参照下さい。  
RE DETAILED DIMENSION, SEE SD-51441-007.
- 梱包数量：3000個/リール  
NUMBER OF CONNECTORS : 3000PCS/REEL
- リードテープ長さ LEAD TAPE LENGTH



- トップテープの剥離強度：0.1N~1.3N {10.2gf~130gf}  
(剥離方向は下図参照)  
尚、本規格値は出荷時に適用。(但し、輸送時に剥離が発生しないこと。)  
PEELING OFF FORCE OF TOP TAPE : 0.1N ~ 1.3N(10gf ~ 130gf)  
(PEELING DIRECTION AS SHOWN IN FOLLOWING FIG,)  
THIS REQUIREMENT SHOULD BE APPLIED AT SHIPMENT.  
PEEL OFF SHOULD NOT BE ALLOWED, DURING TRANSPORTATION.



- 材料 (MATERIAL)  
キャリアテープ (CARRIER TAPE) : ポリプロピレン (POLYPROPYLENE)  
トップテープ (TOP TAPE) : PET, PE, PEF  
リール (REEL) : ポリスチレン (PS) <リサイクル材を含む>  
POLYSTYRENE(PS) <RECYCLE MATERIAL CONTAINED>
- この製品は 51441-\*\*\*90 及び 51441-\*\*\*92 の鉛フリー品です。  
THIS PRODUCT IS LEAD FREE ITEM OF 51441-\*\*\*90 AND 51441-\*\*\*92.

51441-\*\*\*93 MODEL No.

REVISED EC NO: J2006-0858 DRAWN: NABEI 2005/09/09 CHKD: KTOYODA 2005/09/12 APPR: NUKITA 2005/09/15	GENERAL TOLERANCES (UNLESS SPECIFIED)		DIMENSION STYLE MM ONLY		SCALE ---	DESIGN UNITS METRIC	THIRD ANGLE PROJECTION
	10 UNDER	± 0.2	DRAWN BY M. HAYASHI	DATE '03/12/22	TITLE EMBSTP PKG FOR 0.5 FPC CONN E/O BTM CONT H=1.1 -LEAD FREE-		
	10 OVER 30 UNDER	± 0.25	CHECKED BY K. TOJO	DATE '03/12/22	MOLEX INCORPORATED		
	30 OVER	± 0.3	APPROVED BY M. SASAO	DATE '03/12/22	DOCUMENT NO. SD-51441-008	SHEET NO. 1 OF 3	
	ANGULAR	± 3 °	MATERIAL NO. SEE CHART				
A	DRAFT WHERE APPLICABLE MUST REMAIN WITHIN DIMENSIONS		SIZE A3		THIS DRAWING CONTAINS INFORMATION THAT IS PROPRIETARY TO MOLEX INCORPORATED AND SHOULD NOT BE USED WITHOUT WRITTEN PERMISSION		

9 8 7 6 5 4 3 2 1

10 9 8 7 6 5 4 3 2 1

F

F

E

E

D

D

C

C

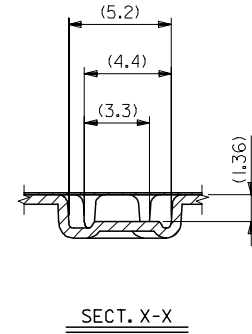
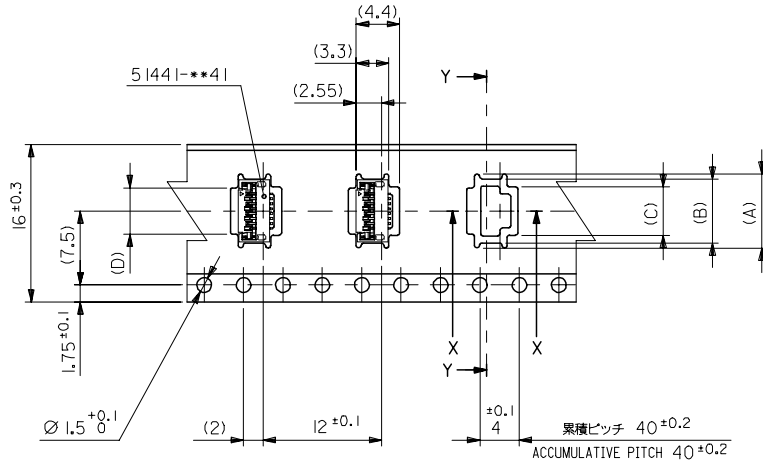
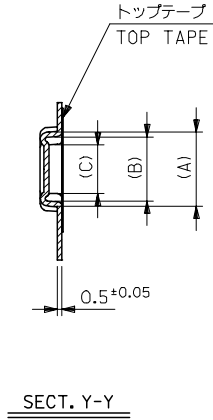
B

B

A

A

引き出し方向  
PULL OUT DIRECTION



1.6mm幅キャリアテープ  
1.6mm WIDTH CARRIER TAPE

16	21.4	17.4	4.7	4.89	6.5	7.5	51441-0893	8
			4.2	4.39	6	7	51441-0793	7
			3.7	3.89	5.5	6.5	51441-0693	6
キャリアテープ幅 CARRIER TAPE WIDTH	G	E	(D)	(B)	(A)		MATERIAL NO.	数量 QTY.

REVISED EC NO: J2006-0858 DRWN: NABE CHKD: TOYODA APPR: NUKITA	DESCRIPTION 2005/09/09 2005/09/12 2005/09/15	GENERAL TOLERANCES (UNLESS SPECIFIED)		DIMENSION STYLE MM ONLY		SCALE ---	DESIGN UNITS METRIC	THIRD ANGLE PROJECTION	
		10 UNDER	±0.2	DRAWN BY M. HAYASHI	DATE '03/12/22	TITLE EMBSTP PKG FOR 0.5 FPC CONN E/O BTM CONT H=1.1 -LEAD FREE-			
		10 OVER 30 UNDER	±0.25	CHECKED BY K. TOJO	DATE '03/12/22	MOLEX INCORPORATED			
		30 OVER	±0.3	APPROVED BY M. SASAO	DATE '03/12/22	DOCUMENT NO. SD-51441-008			
ANGULAR ±3 °		DRAFT WHERE APPLICABLE MUST REMAIN WITHIN DIMENSIONS		MATERIAL NO. SEE CHART		SHEET NO. 2 OF 3			

9

8

7

6

5

4

3

2

10 9 8 7 6 5 4 3 2 1

F

E

D

C

B

A

F

E

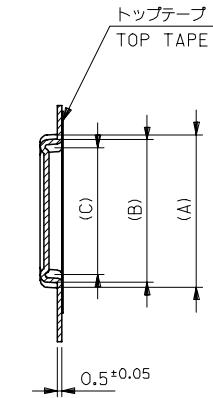
D

C

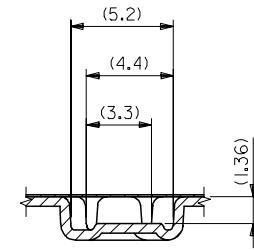
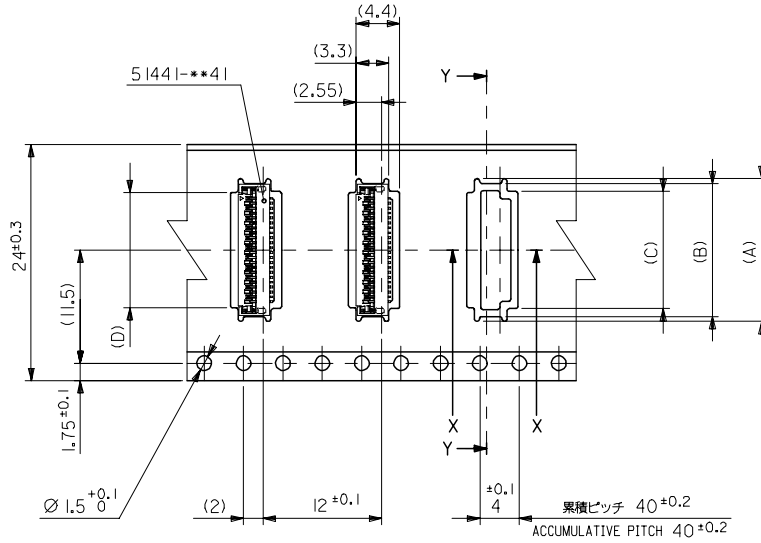
B

A

引き出し方向  
PULL OUT DIRECTION



SECT. Y-Y



SECT. X-X

24mm幅キャリアテープ  
24mm WIDTH CARRIER TAPE

24	29.4	25.4	12.7	12.89	14.5	15.5	5144I-2493	24
			11.7	11.89	13.5	14.5	5144I-2293	22
			10.7	10.89	12.5	13.5	5144I-2093	20
			9.7	9.89	11.5	12.5	5144I-1893	18
			9.2	9.39	11	12	5144I-1793	17
			8.7	8.89	10.5	11.5	5144I-1693	16
			7.2	7.39	9	10	5144I-1393	13
			6.7	6.89	8.5	9.5	5144I-1293	12
			6.2	6.39	8	9	5144I-1193	11
			5.7	5.89	7.5	8.5	5144I-1093	10
5.2	5.39	7	8	5144I-0993	9			

キャリアテープ幅 CARRIER TAPE WIDTH G E (D) (B) (A) MATERIAL NO. 部品 CKT.

5144I-\*\*-93 MODEL No.

REVISED EC NO: J2006-0858 DRWN: NABE 2005/09/09 CHKD: KTOYODA 2005/09/12 APPR: NUKITA 2005/09/15	GENERAL TOLERANCES (UNLESS SPECIFIED)		DIMENSION STYLE MM ONLY		SCALE ---	DESIGN UNITS METRIC	THIRD ANGLE PROJECTION
	10 UNDER	± ---	DRAWN BY M. HAYASHI	DATE '03/12/22	TITLE EMBSTP PKG FOR 0.5 FPC CONN E/O BTM CONT H=1.1 -LEAD FREE-		
	10 OVER 30 UNDER	± ---	CHECKED BY K. TOJO	DATE '03/12/22	MOLEX INCORPORATED		
	30 OVER	± ---	APPROVED BY M. SASAO	DATE '03/12/22	DOCUMENT NO. SD-5144I-008		
	ANGULAR	± --- °	MATERIAL NO. SEE CHART		SHEET NO. 3 OF 3		

DRAFT WHERE APPLICABLE MUST REMAIN WITHIN DIMENSIONS

SIZE A3 THIS DRAWING CONTAINS INFORMATION THAT IS PROPRIETARY TO MOLEX INCORPORATED AND SHOULD NOT BE USED WITHOUT WRITTEN PERMISSION