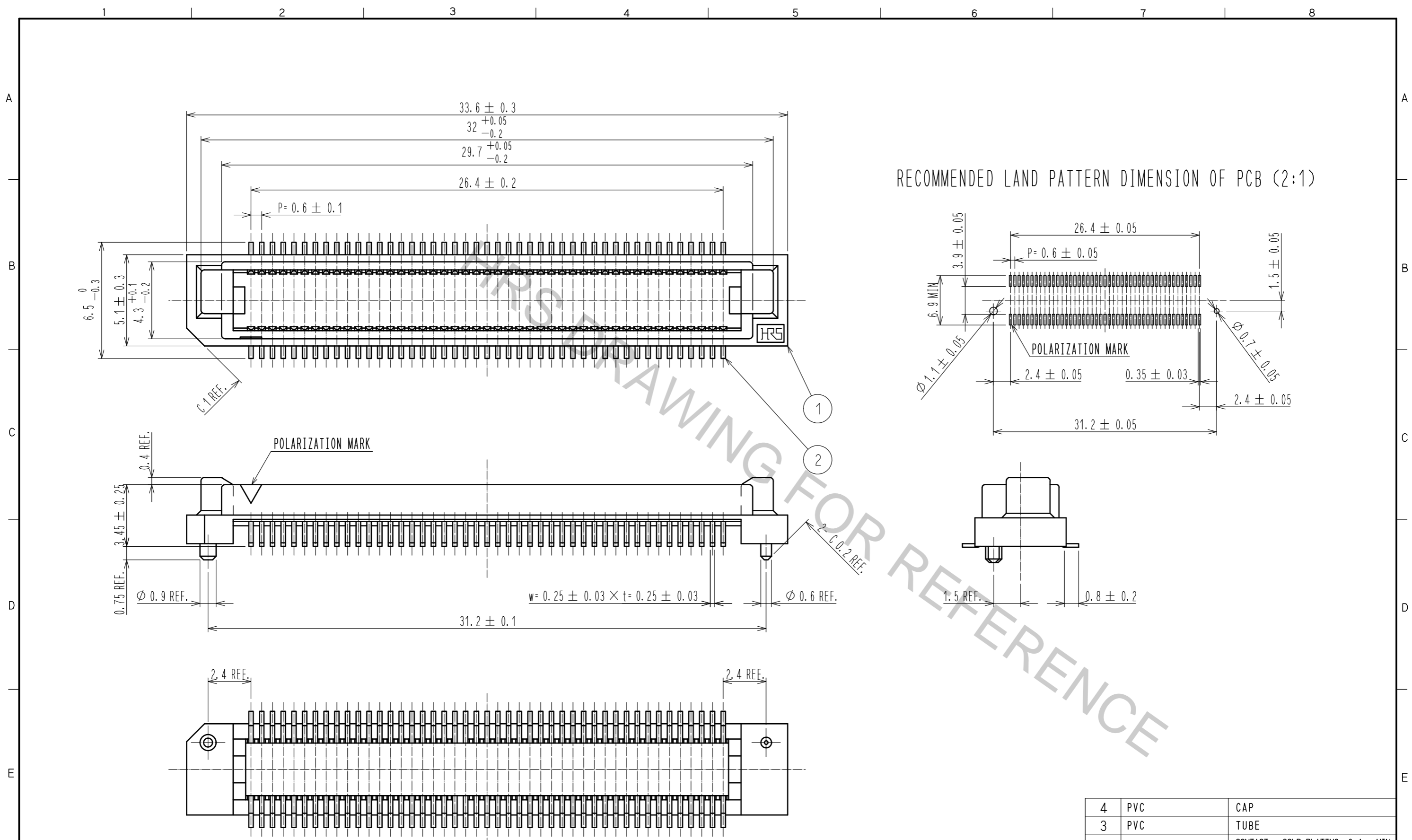


Apr.1.2017 Copyright 2017 HIROSE ELECTRIC CO., LTD. All Rights Reserved.

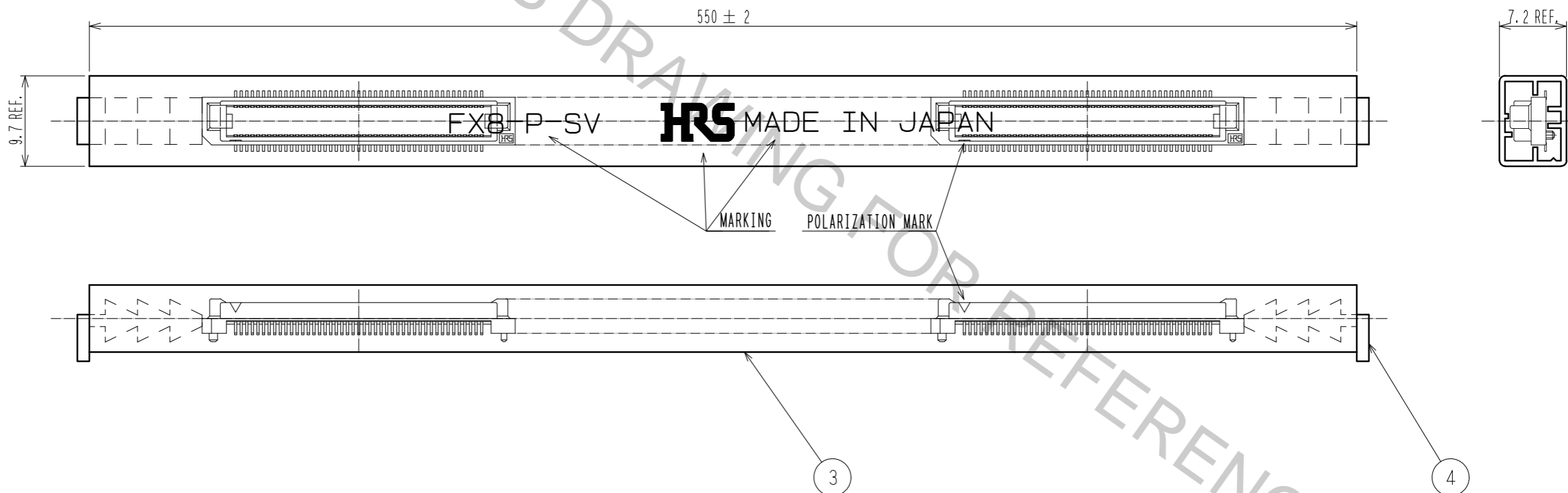


NOTE

- SMT LEAD-COPLANARITY: 0.1 MAX.
- TUBE PACKAGE IS APPLIED FOR THIS PRODUCT. PLEASE REFER TO THE SHEET 2/2 FOR THE DETAILS.
- FOR MODIFICATION, ETC., PREVENTIVE HOLE FOR SINK MARK MAY BE ADDED ACCORDING TO CIRCUMSTANCES.

1	PPS	LIGHT BROWN, UL94V-0	4	PVC	CAP		
NO.	MATERIAL	FINISH . REMARKS	NO.	MATERIAL	FINISH . REMARKS		
			2	PHOSPHOR BRONZE	CONTACT: GOLD PLATING 0.1μm MIN LEAD : TIN PLATING 1μm MIN UNDER :NICKEL PLATING 1μm MIN		
UNITS		SCALE	COUNT	DESCRIPTION OF REVISIONS	DESIGNED	CHECKED	DATE
mm		5:1					
<b>HRS</b> HIROSE ELECTRIC CO., LTD.		APPROVED : NH. NAKATA	16.11.21	DRAWING NO.	EDC-150570-91-00		
		CHECKED : HT. YAMAGUCHI	16.11.21	PART NO.	FX8-90P-SV1(91)		
		DESIGNED : MT. ITANO	16.11.21	CODE NO.	CL578-0044-9-91		
		DRAWN : MT. ITANO	16.11.21				

DRAWING FOR PACKING(FREE)



NOTE 4. 1TUBE : 15CONNECTORS.

<b>HRS</b>	DRAWING NO.	EDC-150570-91-00
	PART NO.	FX8-90P-SV1(91)
	CODE NO.	CL578-0044-9-91

2/2