

NEMA line Outlet 5-15R, Snap-in Mounting, Front Side, V-Slot Terminal



**Description**

- Panel Mount :  
Snap-in , Front Side
- 1 Function :  
Line Outlet , Protection class I
- V-Slot- Connector

**Approvals**

- UL File Number: E103791
- CSA File Number: 73165

**Characteristics**

- Designed for standard applications

**Weblinks**

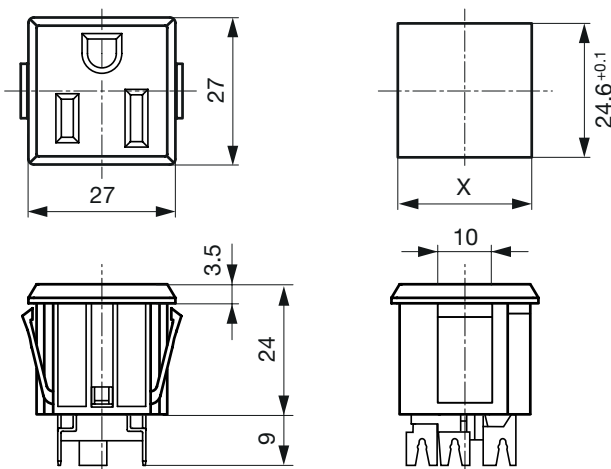
[pdf datasheet](#), [html-datasheet](#), [General Product Information](#), [RoHS](#), [CHINA-RoHS](#), [REACH](#), [Distributor-Stock-Check](#), [Accessories](#), [Detailed request for product](#)

**Technical Data**

Ratings UL/CSA	15 A / 125VAC; 60Hz
Allowable Operation Temperature	-25 °C to +60 °C
IP-Protection	from front side IP 20 acc. to IEC 60529
Insulation cover	Suitable for appliances with protection class I acc. to IEC 61140
Terminal	V-Slot- Connector
Panel Thickness s	Snap-in 0.8mm to 1.6mm
Material: Housing	Thermoplastic, black

Detailed information on product approvals, code requirements, usage instructions and detailed test conditions can be looked up in [General Product Information](#)

**Dimensions**



Panel thickness X  
0.8 - 1.2 mm: 24.6 mm  
1.3 - 1.6 mm: 24.8 mm

## Assembly Instructions



Installation Diagram: V-slotted terminals for connecting multiple receptacles (only for solid bare wires from type 14 AWG)

## All Variants

Type	Protection Class	Panel mounting	Panel Thicknesses [mm]	Terminal	Order Number
0709-1	I	Snap-in	0.8 - 1.6	V-Slot- Connector	4300.0702

Availability for all products can be searched real-time: <http://www.schurter.com/en/Stock-Check/Stock-Check-SCHURTER>

**Packaging unit** 120 Pcs

## Mating Inlets/Plugs

### Category / Description

[Power Supply Cord Overview complete](#)



Cord Sets 16 A, Europlug, 2.5 m, Connector IEC C19, H05VV-F3G1.5, black	6004.0395
Cord Sets 16 A, Interconnection, 1.0 m, Connector IEC C19, H05VV-F3G1.5, black	6020.0392
Cord Sets 16 A, Interconnection, 2.0 m, Connector IEC C19, H05VV-F3G1.5, black	6020.0394
Cord Sets 16 A, North America, 2.5 m, Connector IEC C19, SJT 3x14 AWG, black	6009.5195
Cord Sets 10 A, North America, 2.5 m, Connector IEC C13, SJT 3x18 AWG, black	6009.1315
<a href="#">Power Supply Cord further types to 0709-1</a>	...