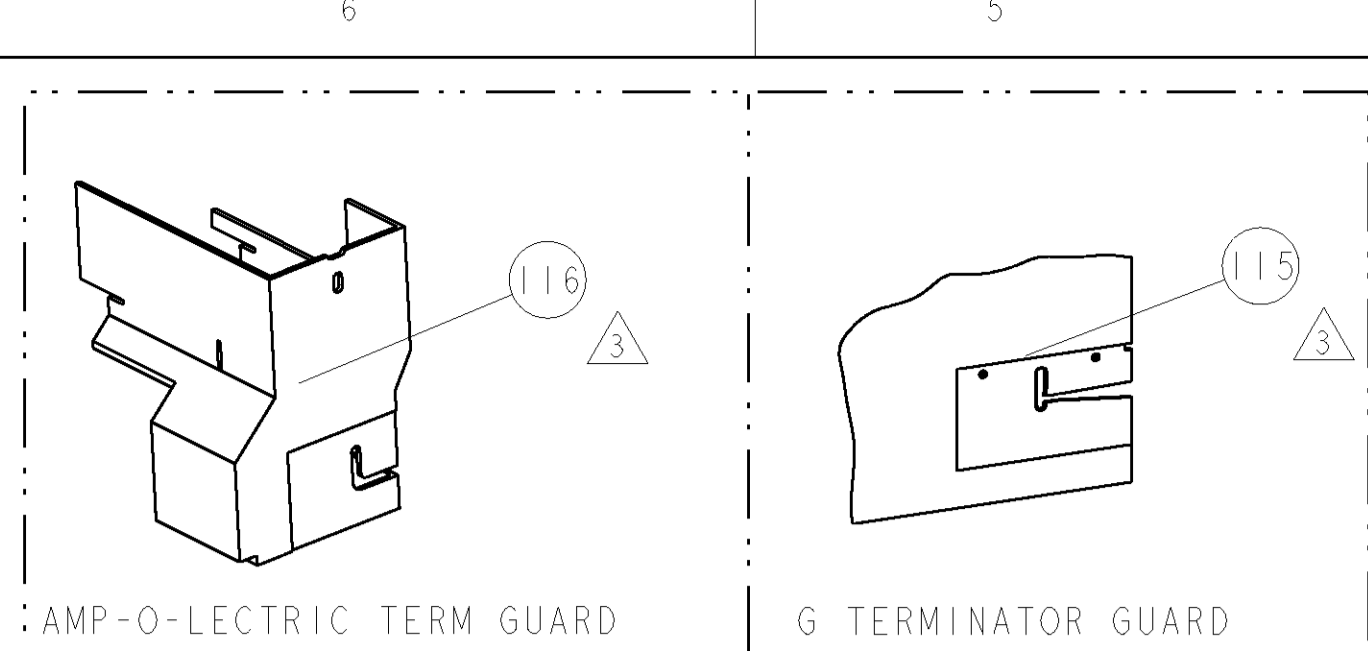


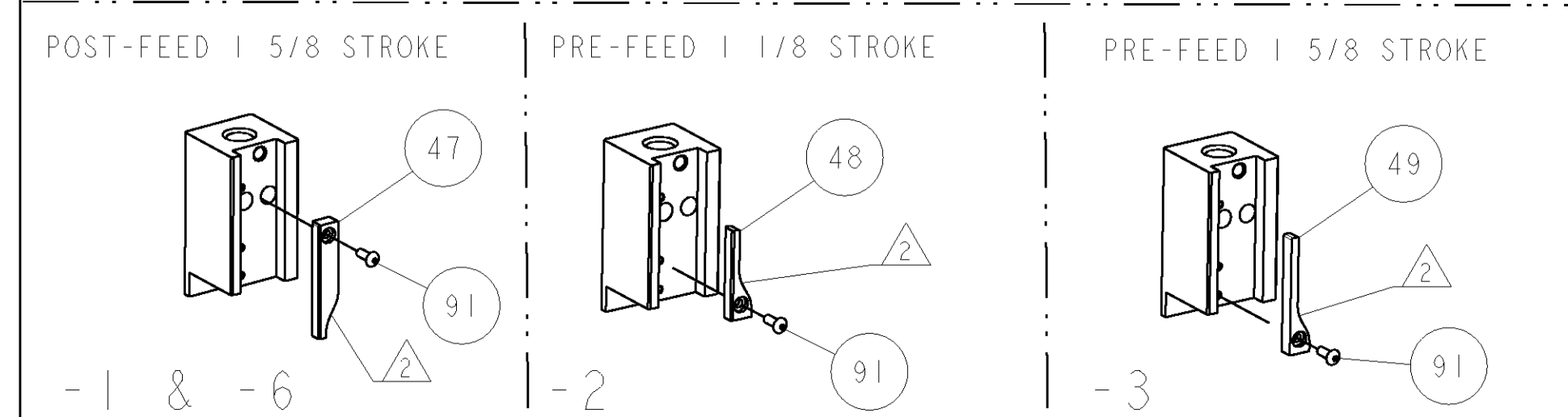
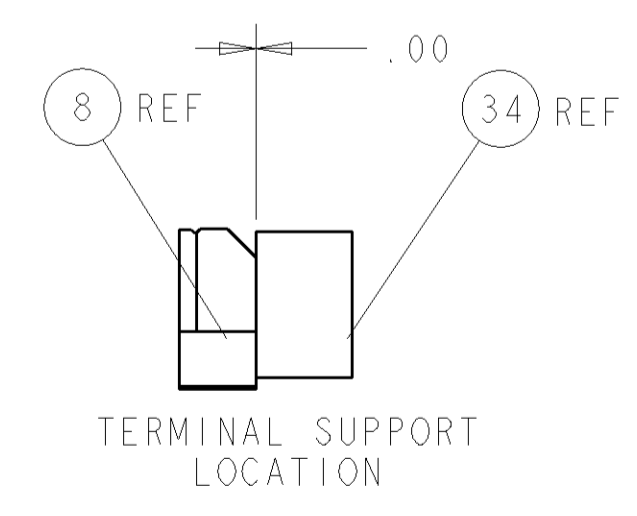
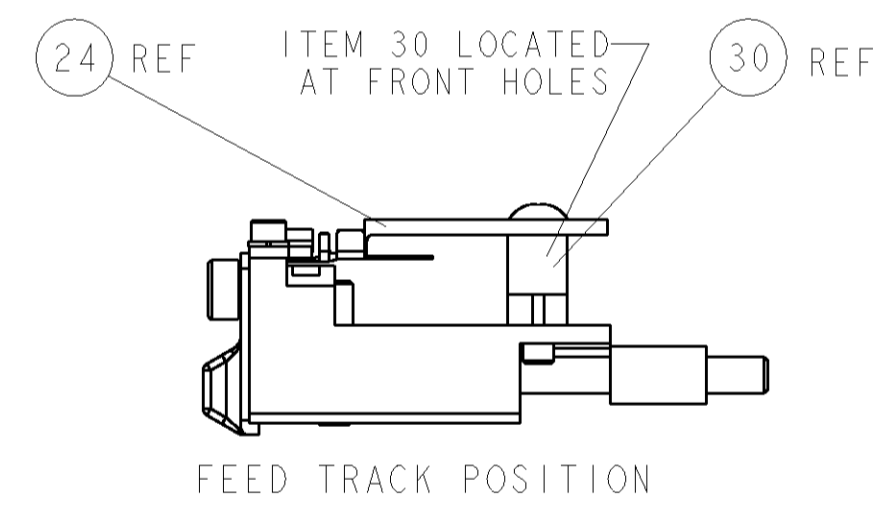
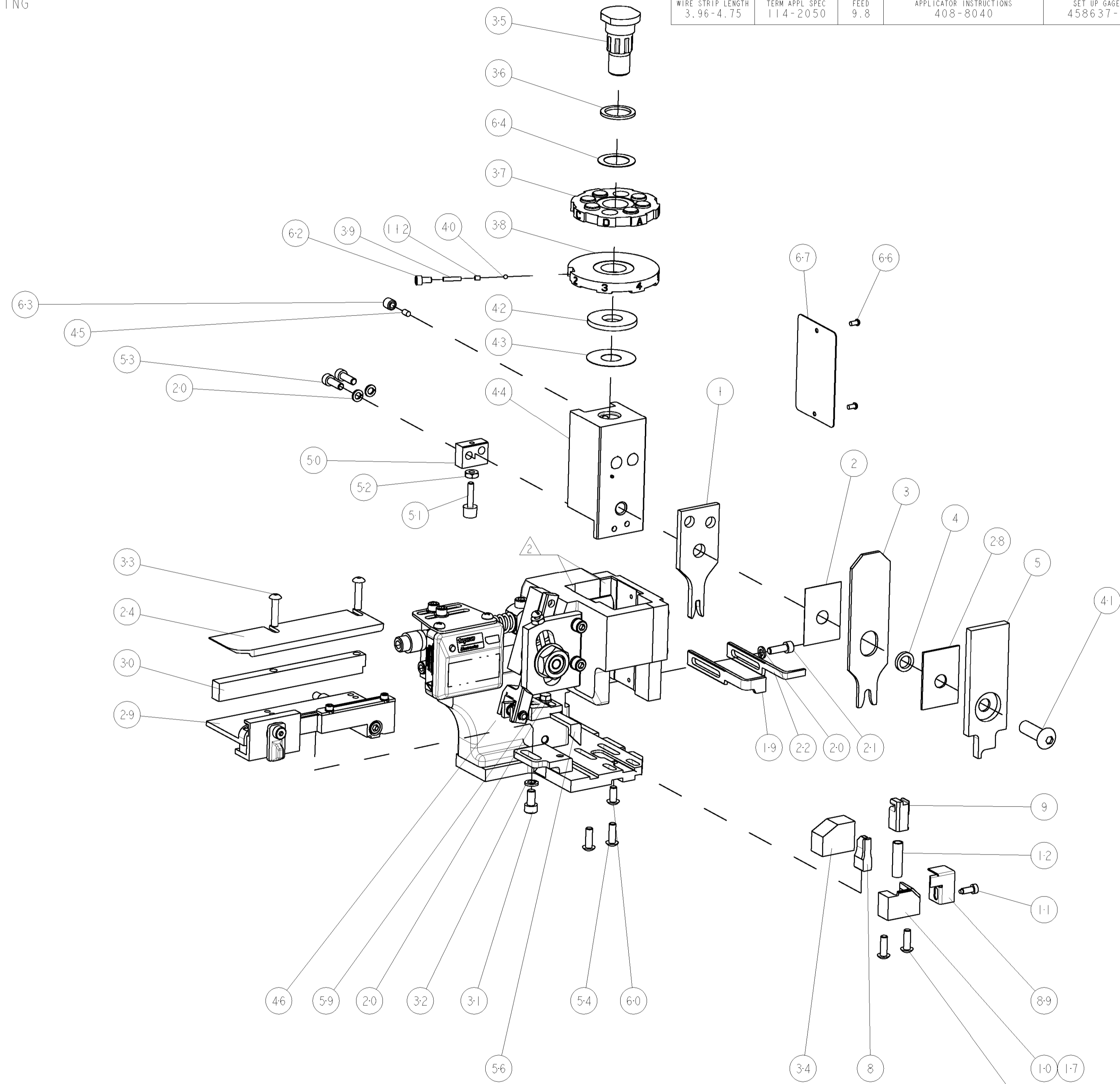
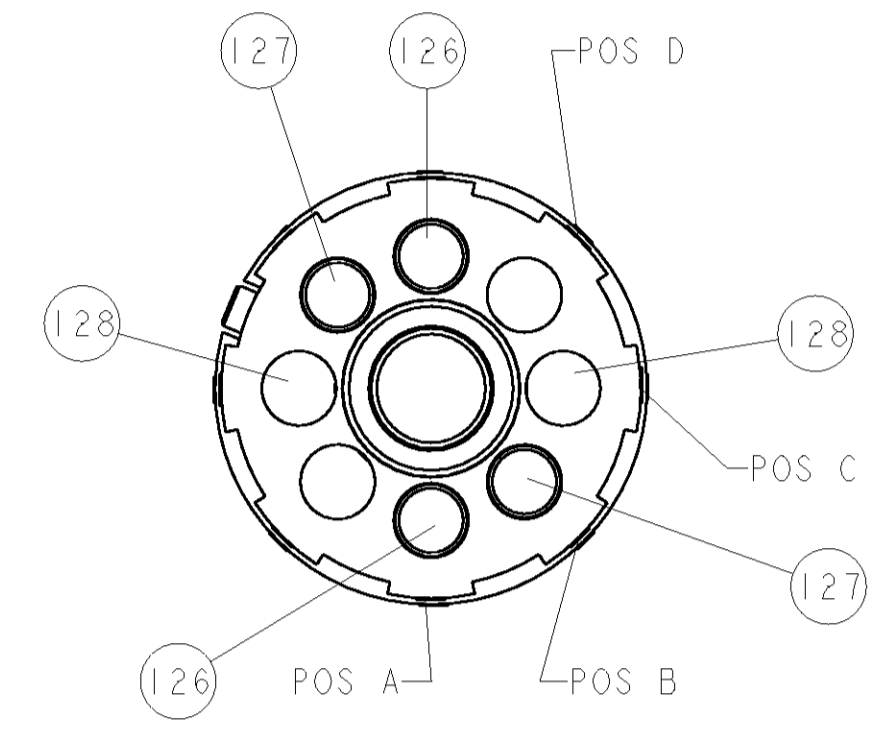
PART NUMBER	REV	FIRST USED	POWER UNIT	FEED TYPE	DESCRIPTION
1852393-1	A	122500-1	LEADMAKER	POST FEED	CUTS CARRIER
1852393-2	A	565435-5	BENCH MODEL K	PRE FEED	CUTS CARRIER
1852393-3	A	354500-1	BENCH MODEL G	PRE FEED	CUTS CARRIER
1852393-6	A	122500-1	LEADMAKER	POST FEED	CONTINUOUS CARRIER
7-1852393-7	A	-	-	-	SPARE PARTS



TERMINAL NAME: MAG-MATE POKE-IN DUAL TAB			
-	1599986	AMP TERMINAL - AMP CRIMP SPECS	
-	-	PAD LTR	CRIMP HEIGHT
-	-	A	2.01±0.05mm [ .079±.002 ]
-	-	B	1.78±0.05mm [ .070±.002 ]
-	-	C	1.63±0.05mm [ .064±.002 ]
-	-	D	-
-	-	CRIMP	SIZE TYPE RANGE
-	-	WIRE	2.79mm [ .110 ] F 14-18 AWG
-	-	INSUL	4.57mm [ .180 ] O Ø2.3-3.6mm
WIRE STRIP LENGTH	TERM APPL SPEC	FEED	APPLICATOR INSTRUCTIONS
3.96-4.75	114-2050	9.8	408-8040
			SET UP GAGE 458637-1

LOC	DIST	P	LTR	DESCRIPTION	DATE	BY	APPD
A	66			RELEASED	28FEB2007	ROW	TE

- △ RECOMMENDED SPARE PARTS
- △ GREASE LIGHTLY
- △ GUARD MUST BE IN PLACE WHEN OPERATING APPLICATOR IN A BENCH MACHINE



-	2	2	2	2	-	354779-6	PIN, WIRE DISC, .3020	128
-	2	2	2	2	-	9-354778-2	PIN, WIRE DISC, .2955	127
-	2	2	2	2	-	7-354778-3	PIN, WIRE DISC, .2860	126
-	-	-	REF	-	..	455749-1	GUARD WINDOW	116
-	-	REF	-	-	..	679532-1	INSERT, GUARD	115
-	1	1	1	1	-	690603-1	SPRING ASSIST AMP-O-MATOR APPLICATOR	112
-	1	1	1	1	-	1-21002-7	SCR, BTN SKT HD CAP 6-32 X .375	91
-	1	1	1	1	-	318563-1	GUARD, FRONT CHIP	89
-	1	1	1	1	-	4088040	SF APPL INST 408-8040	72
-	1	1	1	1	-	217238-1	GENERAL INSTRUCTION PKG	71
-	1	1	1	1	-	461264-1	PLATE, IDENTIFICATION	67
-	2	2	2	2	-	21017-2	SCREW, DRIVE	66
-	1	1	1	1	-	986950-1	WASHER, FLAT PRECISION	64
-	1	1	1	1	-	21009-2	SCR, SET, SELF LOCKING 1/4-20 X .250	63
-	1	1	1	1	-	23030-1	SCR, SKT HD CAP 6-32 X .25	62
-	1	1	1	1	-	22733-8	SCR, BHSC, SELF-LOCKING, 8-32 X .375	60
-	1	1	1	1	-	2-22603-0	SCR, HEX HD CAP 8-32 X .312	59
-	1	1	1	1	-	458537-2	PAWL, FEED	56
-	4	4	4	4	-	2-21002-2	SCR, BTN SKT HD CAP 8-32 X .500	54
-	2	2	2	2	-	2-21000-7	SCR, SKT HD CAP 8-32 X .500	53
-	1	1	1	1	-	21018-5	NUT, HEX, REG 6-32	52
-	1	1	1	1	-	811242-2	BUMPER, HOLD DOWN	51
-	1	1	1	1	-	690753-1	SPACER, TONKER	50
-	-	-	-	-	..	690602-6	CAM, PRE FEED, 1/8	49
-	-	-	-	-	..	690602-5	CAM, PRE FEED, 1/16	48
-	1	-	-	-	-	690501-4	CAM, POST FEED, 1/8	47
-	1	1	1	1	-	459456-1	APPL. BASIC SUB ASSY (SIDE WISE MOCA)	46
-	1	1	1	1	-	690191-1	PLUG, NYLON	45
-	1	1	1	1	-	455673-1	RAM, SIDE FEED	44
-	1	1	1	1	-	690125-1	SHIM SUB-ASSY	43
-	1	1	1	1	-	690124-1	WASHER, RAM (.115)	42
-	1	1	1	1	-	7-21002-9	SCR, BTN SKT HD CAP 5/16-24 X 1.00	41
-	1	1	1	1	-	23241-6	BALL, STEEL	40
-	1	1	1	1	-	690170-1	SPRING, COMPRESSION	39
-	1	1	1	1	-	690142-5	DISC, INSULATION	38
-	1	1	1	1	-	354777-1	WIRE DISC, ASSEMBLY	37
-	1	1	1	1	-	22480-5	SPRING, COMPRESSION	36
-	1	1	1	1	-	690212-1	POST, RAM	35
-	1	1	1	1	-	690786-3	TERMINAL SUPPORT	34
-	2	2	2	2	-	2-21002-4	SCR, BTN SKT HD CAP 8-32 X .750	33
-	1	1	1	1	-	21024-5	WASHER, SPRG LOCK, REG NO 10	32
-	1	1	1	1	-	3-21000-4	SCR, SKT HD CAP 10-32 X .375	31
-	1	1	1	1	-	1320908-4	SPACER, STRIP GUIDE	30
-	1	1	1	1	-	1633091-1	ASSEMBLY, STRIP GUIDE	29
-	1	1	1	1	-	1-455888-0	SPACER, CRIMPER	28
-	1	1	1	1	-	1320928-1	PLATE, STRIP GUIDE	24
-	1	-	-	-	-	690472-2	STRIPPER	22
-	1	1	1	1	-	2-21000-7	SCR, SKT HD CAP 8-32 X .500	21
-	4	4	4	4	-	21024-4	WASHER, SPRG LOCK, REG NO 8	20
-	-	-	-	-	-	691353-1	STRIPPER	19
-	1	-	-	-	-	679625-1	SHEAR HOLDER, FRONT (NO CUT)	17
-	1	1	1	1	-	3-22280-3	SPRING, COMPRESSION	12
-	1	1	1	1	-	690461-1	STOP, SHEAR	11
-	-	-	-	-	-	690459-1	SHEAR HOLDER, FRONT	10
-	1	1	1	1	-	1-454276-9	FLOATING SHEAR, FRONT	9
-	1	1	1	1	-	1633112-8	ANVIL, COMBINATION .110	8
-	1	1	1	1	-	1-455889-4	DEPRESSOR, SHEAR	5
-	1	1	1	1	-	238011-8	BLOCK, CRIMPER SPACER	4
-	1	1	1	1	-	4-904741-5	CRIMPER, INSUL O PREMIUM	3
-	1	1	1	1	-	455888-1	SPACER, CRIMPER	2
-	1	1	1	1	-	456408-6	CRIMPER, WIRE PREMIUM	1

DIMENSIONS:		TOLERANCES UNLESS OTHERWISE SPECIFIED:	
INCHES	0 PLC ±.01	1 PLC ±.01	2 PLC ±.01
	3 PLC ±.001	4 PLC ±.001	ANGLES ±.0001
MATERIAL	FINISH	WEIGHT	CUSTOMER DRAWING