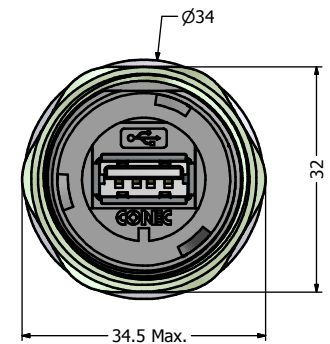
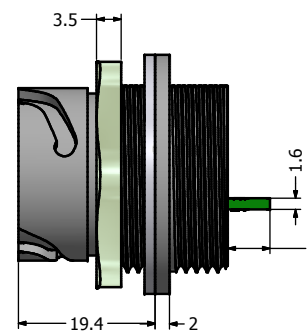
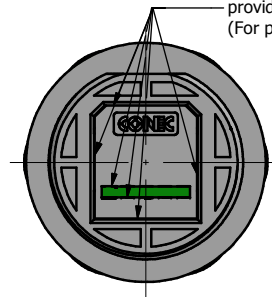


Sealed with Sealing Compound, provides IP67 even when uncovered (For potted version only)



**Notes:**

- Electrical Specifications:
  - Meets USB 2.0 Specification
  - Contact Resistance: 30 mOhm max.
  - Insulation Resistance: 1000 MOhm min. @ 100 VDC
  - Current Rating: 1.5 A max. at 25° C
  - Working Voltage: 30 V (RMS) max.
  - DWV: 500 VAC/60s at sea level
  - Operating Temperature: -40° C to +85° C
- Material and Finish:
  - Receptacle Housing: Polyester (Black), UL94 V-0 or Metallized ABS (Nickel Plated), UL94 V-0
  - Panel Nut: Brass, Finish: Nickel Plated
  - Panel Gasket: Silicon, Color: White
  - USB Insulator: PBT, UL94 V-0, Black
  - USB Metal Shell: Copper Alloy, Nickel Plated
  - USB Overmold material: PBT UL94 V-0, Color: Black
  - USB Contacts: Copper Alloy, Finish: 30 u" Gold min. over Nickel
  - PCB: FR-4, UL94 V-0, Color: Green
- Connector can be front or rear mounted to a maximum panel thickness of 3.2 mm.
- IP67 rated when covered or fully mated with the appropriate mating connector
- Recommended Mounting Panel Nut torque is 20 to 25 lb-inch

**Pin to typical USB Cable Wiring Assignment**

Type A F	PCB	Signal Name	USB Cable
Pin1	Pin1	Vbus	Red
Pin2	Pin2	D-	White
Pin3	Pin3	D+	Green
Pin4	Pin4	GND	Black
Shell	GND	GND	Drain Wire

Directive 2002/95/EC RoHS Compliant

Description	Part Number
Plastic Version with USB 2.0 Type A Female PCB Version	17-200881
Metallized Plastic Version with USB 2.0 Type A Female Version	17-200891
Potted Plastic Version with USB 2.0 Type A Female PCB Version	17-210001
Potted Metallized Plastic Version with USB 2.0 Type A Female Version	17-210011

THIS DRAWING MAY NOT BE COPIED OR REPRODUCED IN ANY MANNER WITHOUT WRITTEN PERMISSION. OWNERSHIP AND COPYRIGHT OF CONEC CORPORATION.	Customer:		Tolerance Unless otherwise specified 0 PLC ±0.50 1 PLC ±0.38 2 PLC ±0.25 3 PLC ±0.10 ANGLES ±3°		Scale:	Dim. in mm	
	Name	Title			Approval Date	Material: See Notes	
	2012		Date	Name	Title: IP67 USB Receptacle Assembly Kit with USB 2.0 Type A Female PCB Version		
	Draw.		Oct. 09	Vincent Ke	Drawing No.: 17K1A300		
Appd.		Oct. 09	J. Chaudry	Part No.: SEE PART NUMBER TABLE			
Norm				DIN A3			
D-old				Sheet 1/1			
a original							
Rev.	Changes	Date	Name				