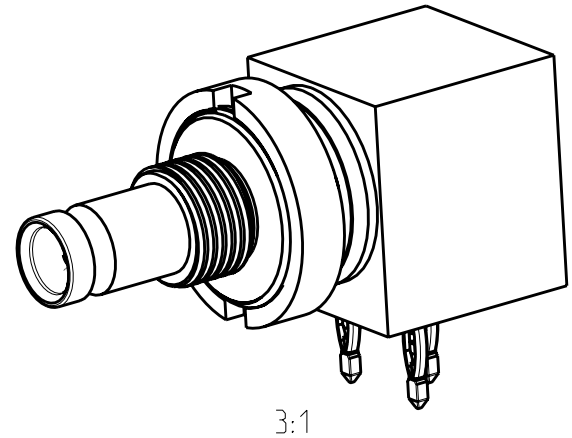
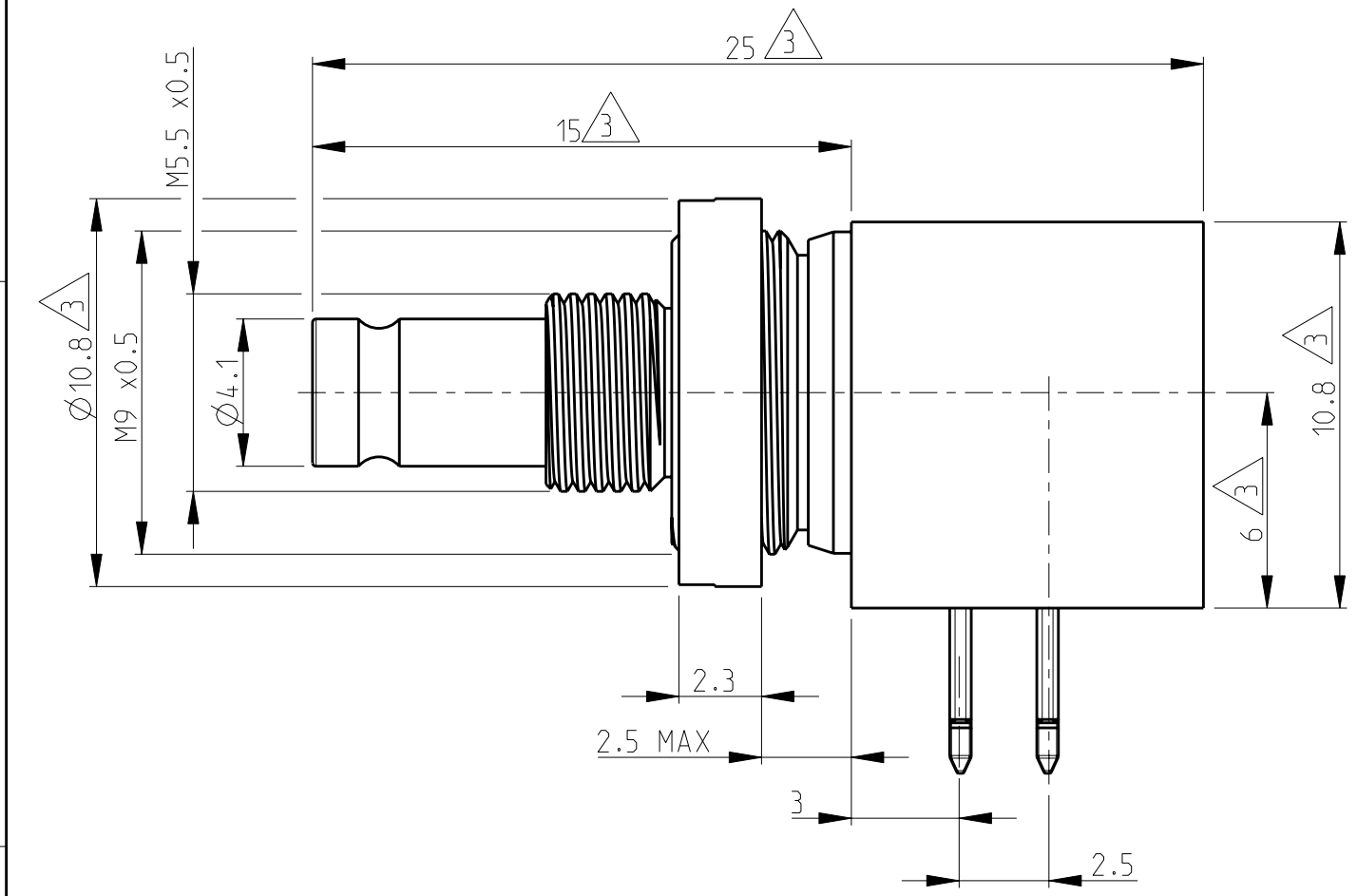


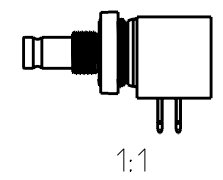
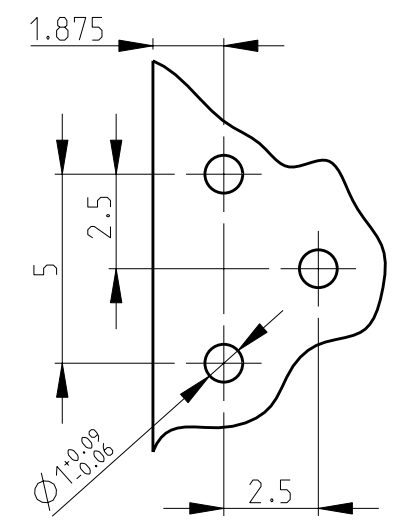
THIS DRAWING IS UNPUBLISHED. RELEASED FOR PUBLICATION 2000
 © COPYRIGHT 2000 BY TYCO ELECTRONICS CORPORATION. ALL RIGHTS RESERVED.

LOC	DIST	REVISIONS					
		P	LTR	DESCRIPTION	DATE	DWN	APVD
IS	-		A	SR10-0344-01	01AUG01	BL	KM
			B	ECR-07-028994	13AUG07	AN	DB



- 1) Mating face according to CECC 22230 and IEC 169-29
- 2) DIN ISO 8015; DIN ISO 2768-mH
- 3) Maximum dimension

Recommended PCB layout



Cross reference table				
Old part number	TE part number	Description	Material	Plating
V23614-A1230-A1	8-1393670-7	Outer conductor	Brass	min. 0.1µm Au over min. 2µm NiP
		Dielectrics	PEEK/PTFE	-
		Center conductor	CuBe/Bronze	min. 0.1µm Au over min. 2µm NiP

<small>THIS DRAWING IS A CONTROLLED DOCUMENT FOR TYCO ELECTRONICS CORPORATION. IT IS SUBJECT TO CHANGE AND THE CONTROLLING ENGINEERING ORGANIZATION SHOULD BE CONTACTED FOR THE LATEST REVISION.</small>		DWN 17MAY2001 B. Lenvain		Tyco Electronics CH - Switzerland - Lugano	
DIMENSIONS: mm		TOLERANCES UNLESS OTHERWISE SPECIFIED:		NAME Right angled jack 1.0/2.3 with press-in PCB connection	
		0 PLC ± 1 PLC ± 2 PLC ± 3 PLC ± 4 PLC ± ANGLES ±		PRODUCT SPEC 108-71032 APPLICATION SPEC -	
MATERIAL -		FINISH -		SIZE A3 CAGE CODE 00779 DRAWING NO. 8-1393670-7 RESTRICTED TO -	
CUSTOMER DRAWING				SCALE - SHEET 1 OF 1 REV B	