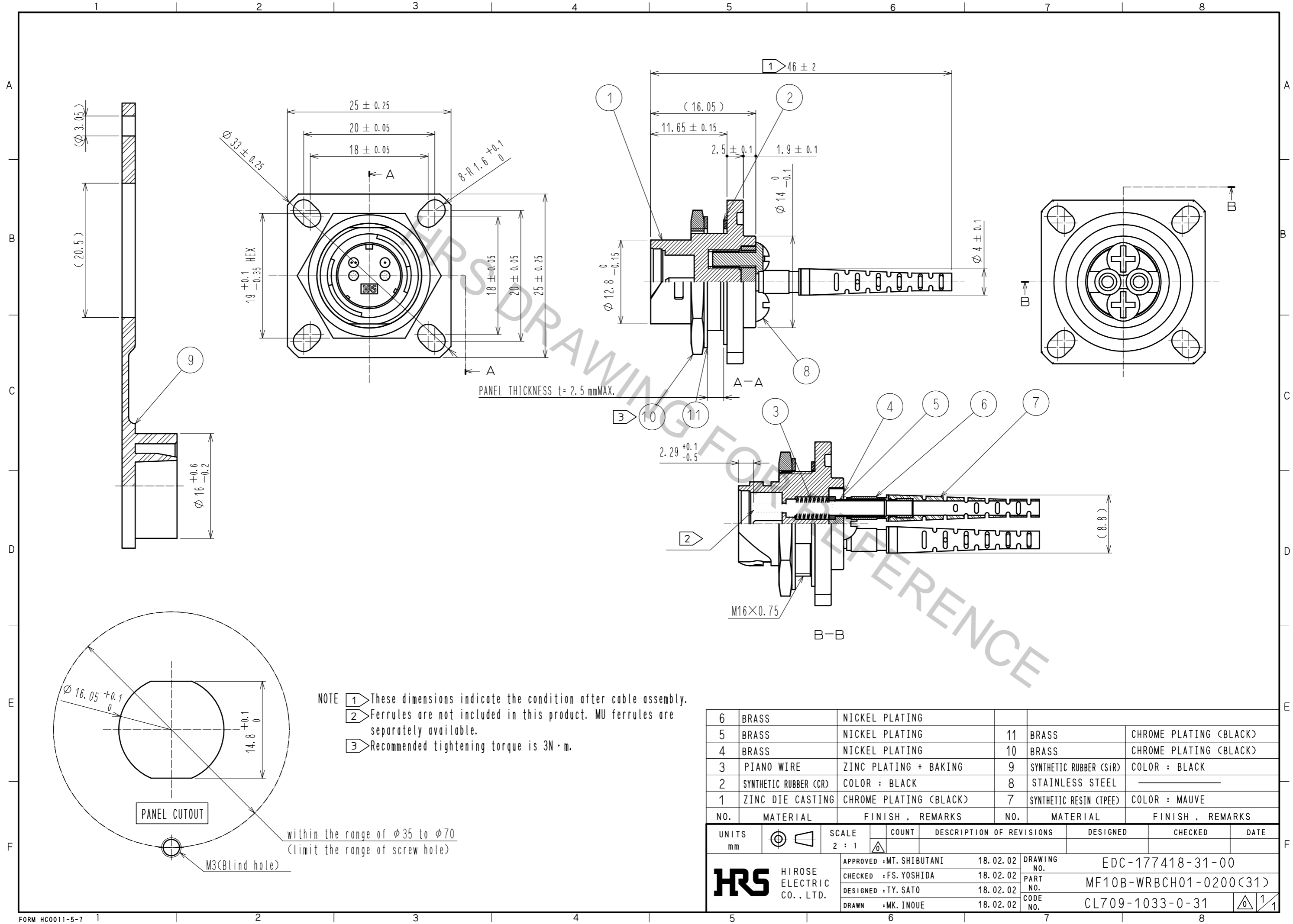


Aug.1.2018 Copyright 2018 HIROSE ELECTRIC CO., LTD. All Rights Reserved.
 In case that the application demands a high level of reliability, such as automotive,
 please contact a company representative for further information.



NOTE

- 1 These dimensions indicate the condition after cable assembly.
- 2 Ferrules are not included in this product. MU ferrules are separately available.
- 3 Recommended tightening torque is 3N·m.

NO.	MATERIAL	FINISH	REMARKS	NO.	MATERIAL	FINISH	REMARKS
6	BRASS	NICKEL PLATING		11	BRASS	CHROME PLATING (BLACK)	
5	BRASS	NICKEL PLATING		10	BRASS	CHROME PLATING (BLACK)	
4	BRASS	NICKEL PLATING		9	SYNTHETIC RUBBER (SIR)	COLOR : BLACK	
3	PIANO WIRE	ZINC PLATING + BAKING		8	STAINLESS STEEL		
2	SYNTHETIC RUBBER (CR)	COLOR : BLACK		7	SYNTHETIC RESIN (TPEE)	COLOR : MAUVE	
1	ZINC DIE CASTING	CHROME PLATING (BLACK)					

UNITS	SCALE	COUNT	DESCRIPTION OF REVISIONS	DESIGNED	CHECKED	DATE
mm	2 : 1	△				
APPROVED : MT. SHIBUTANI			18.02.02	DRAWING NO. EDC-177418-31-00		
CHECKED : FS. YOSHIDA			18.02.02	PART NO. MF10B-WRBCH01-0200(31)		
DESIGNED : TY. SATO			18.02.02	CODE NO. CL709-1033-0-31		
DRAWN : MK. INOUE			18.02.02	1/1		