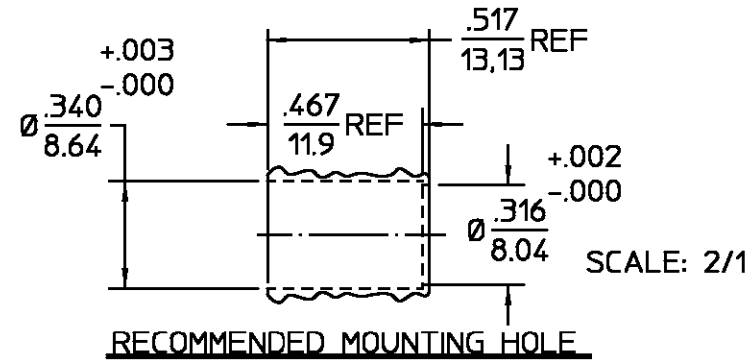


REVISIONS			
REV	DESCRIPTION	DATE	APPROVED
02 ₁	CABLE CHANGE	2/2/00	PCW
0	PER EC 0S14-0058-01-02	24OCT01	C. Zhang



CABLE ENTRY DIAMETER MINIMUM DESIGNED FOR USE WITH GORE G4 CABLE	
HOUSING	.113
CONTACT	.030

ELECTRICAL	MECHANICAL	ENVIRONMENTAL
Nominal Impedance (Ohms) <u>50</u>	Interface Dimensions MIL-STD-348A FIG.321.2	Temperature Rating <u>-65° to +125°C</u>
Frequency Range (GHz) DC to <u>18</u>	Mating Characteristics:	Vibration MIL-STD-202, Method 204, Condition D
Volt Rating (VRMS MAX) @ Sea Level <u>450</u>	Insertion (MAX Lbs) <u>3</u>	Shock MIL-STD-202, Method 213, Condition I
VSWR <u>1.05+0.009f(GHz)</u> DC to 18 GHz	Withdrawal (MIN Oz) <u>1</u>	Thermal Shock MIL-STD-202, Method 107, Condition B
Insertion Loss (dB MAX) <u>.03x√f(GHz)</u>	Force to Engage (In-Lbs MAX) <u>3</u> & Disengage (In-Lbs MAX) <u>1.5</u>	Moisture Resistance MIL-STD-202, Method 106
RF Leakage (dB MIN) (Interface Only, Fully Mated) <u>-(90-f(GHz))</u>	Center Contact Captivation Axial (Lbs) <u>6</u>	Corrosion - MIL-STD-202, Method 101, Condition B
Corona, 70,000 Ft (VRMS MIN) <u>335</u>	Cable Retention Axial Force (Lbs MIN) <u>30</u>	
Dielectric Withstanding Voltage (VRMS MIN) @ Sea Level <u>1000</u>	Torque (In-Oz MIN) <u>16</u>	
Contact Resistance (Milliohms MAX)	Weight (Grams)	
Center Contact <u>2.0</u>	Spring Rate <u>14.2 Lbs</u>	
Outer Contact <u>2.0</u>	Pre-Load <u>3.0 Lbs</u>	
Cable to Housing <u>0.5</u>	Approx Force after Full Travel <u>4.7</u> Lbs	
RF High Potential @ Sea Level (VRMS MIN @ 5 MHz) <u>670</u>	Durability <u>5000 cycles</u>	
LR.(Megohms MIN) <u>5000</u>		

COMPONENT	MATERIAL	FINISH
HOUSING & FRONT BUSHING	STAINLESS STEEL PER ASTM-A484 AND ASTM-A582, TYPE 303	GOLD PLATE PER MIL-G-45204
DIELECTRIC	TFE FLUOROCARBON PER ASTM-D-1457	N/A
CENTER CONTACT CONTACT RING	BERYLLIUM COPPER PER ASTM-B-196 OR ASTM-B-197, ALLOY C17300, CONDITION H	GOLD PLATE PER MIL-G-45204
RETAINING RING, CONTACT SLEEVE & SHIM CONTACT	BERYLLIUM COPPER PER ASTM-B-194, ALLOY C17200, CONDITION H	GOLD PLATE PER MIL-G-45204
BUSHING	STAINLESS STEEL PER ASTM-A484 AND ASTM-A582, TYPE 303	PASSIVATE PER QQ-P-35
SPRING RING	BERYLLIUM COPPER PER ASTM-B-194, ALLOY C17200, CONDITION H	N/A
SPRING	STAINLESS STEEL	PASSIVATE PER QQ-P-35

UNLESS OTHERWISE SPECIFIED DIMENSIONS ARE IN INCHES	DRAWN BY	DATE			AMP Incorporated 140 Fourth Avenue Waltham, MA 02451-7599
	FRAC. ± 1/64	DEC. ± .005			
These drawings and specifications are the property of M/A COM Interconnect Div. and shall not be reproduced or copied or used in whole or in part as the basis for the manufacture or sale of item(s) without written permission.	CHECKED BY	12/21/99	TITLE OSP FLOATING PANEL FEEDTHRU REAR MOUNT CABLE JACK DIRECT SOLDER ATTACHMENT		
	APPD BY	PCW			
	USE ASS'Y PROCEDURE	408-08262 NO. AP. (45-004)	NO.	SIZE	CODE DENT NO.
			B	26805	4510-5022-00 02 ₀
			SCALE	4:1	SHEET 1 OF 1

CUSTOMER DRAWING

AMP PART # 1274938-1
SHEET 1 OF 1 REV 0