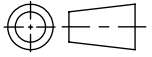
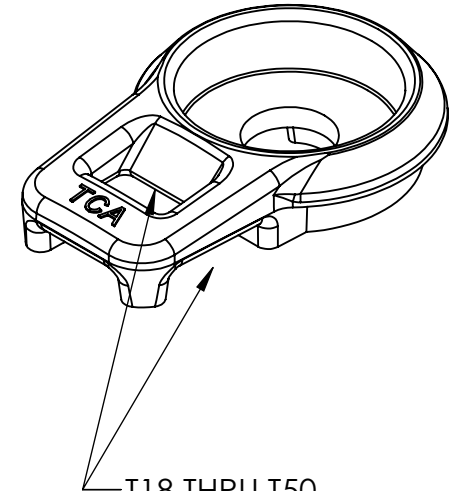
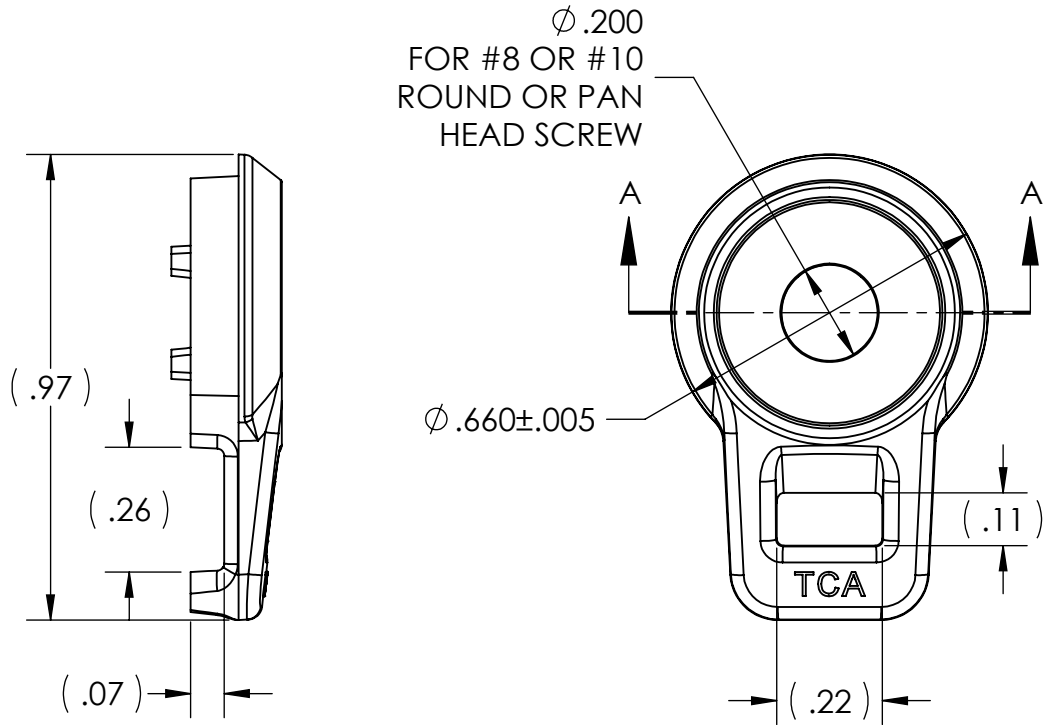


SW2010

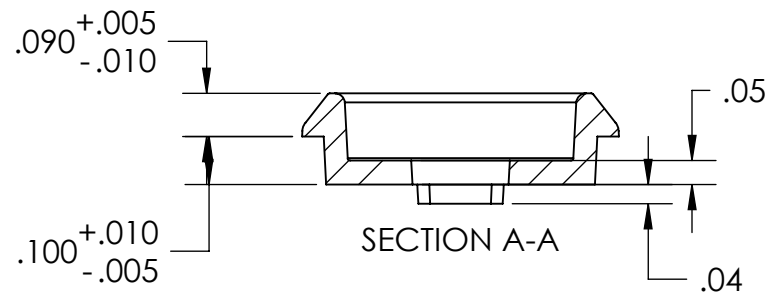


| Revision level | | Revision Record | Changed | Date | Approved | Date |
|----------------|------|-----------------|---------|------------|----------|------------|
| Drawing | Part | | | | | |
| 02 | A | SEE ECN# 100006 | KAC | 04/12/2011 | KAC | 04/12/2011 |



T18 THRU T50
 CABLE TIE ENTRY
 LOCATIONS
 1 TOP, 2 BOTTOM

NOTE:
 INTENDED FOR USE WITH ALL
 DV DIVIDERS AND PRO-DUCT.



Material
 PA66 VO RATED BLACK
 RoHS COMPLIANT

Units inches
 Dimension without tolerances
 details to:
 .xxxx = ± .0005
 .xxx = ± .005
 .xx = ± .01
 .x = ± .03
 None = ± .06
 ∠ = ± 0.5°

The copyright of this drawing is
 reserved by HellermannTyton.
 It is issued on condition that it is not
 reproduced, copied, or disclosed to a
 third party, either wholly or in part,
 without the consent of
 HellermannTyton.

| | | | | | | |
|--|-----|------------|------------------|----------------------------|--------|----------------|
| Drawn | KAC | 01/31/2011 | Article/Type-No | DVM | Scale | 2.5:1 |
| Approved | KAC | 04/12/2011 | Title | DUCT DIVIDER AND TIE MOUNT | | Project Number |
| North America Email: corp@htamericas.com Web: www.hellermann.tyton.com | | | Drawing-No | 02 Production : Phase | Format | AH |
| | | | DT10-0936-005CST | | Sheet | 1/1 |