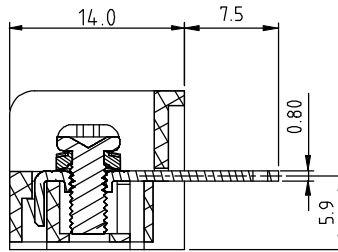
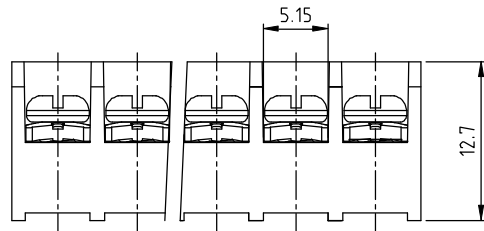
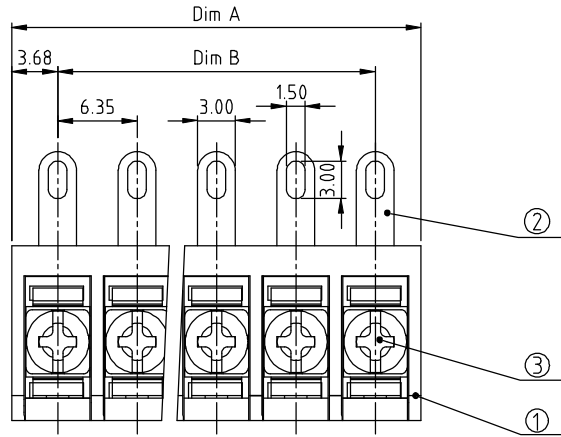


PRODUCT NUMBER	PITCH
YK223xx0x0J0G	6.35 mm



MATERIALS & ELECTRICAL
 RATED VOLTAGE & CURRENT: cULus CQC 250 V, 10 A / 250 V, 9 A
 WITHSTAND VOLTAGE: AC 2000 V/Min
 INSULATION RESISTANCE: 1000 MΩ OR MORE AT DC 500 V
 OPERATING TEMPERATURE RANG: -40 °C ~ +115 °C
 SCREW TORQUE VALUE: 5.3 Lb-In.
 WIRE RANGE: 22 - 18 AWG
 1) HOUSING: Thermoplastic, UL 94 V-0 BLACK
 2) TERMINAL: BRASS, 0.8t
 3) TERMINAL SCREWS: STEEL, M3
 APPROVAL:

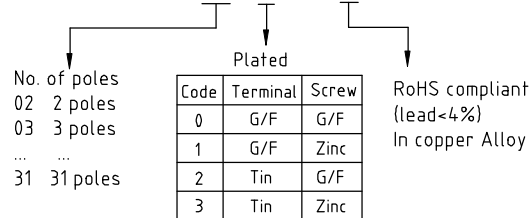
DIMENSION

Dim A	N×6.35+1.0
Dim B	(N-1)×6.35

N=Number of poles

Poles	Tolerance
2p-5p	±0.20
6p-10p	±0.25
11p-16p	±0.35
17p-24p	±0.40
25p-31p	±0.50

PART NO.: YK 223xx 0 x 0 JOG



mat'l. code		surface	tolerance	projection	product family
ASME Y14.5		ASME Y14.5	ASME Y14.5	TERMINAL BLOCK	TERMINAL BLOCK
ltr	ecn no	dr	date	title	
tolerances unless otherwise specified				TERMINAL BLOCK	
angles	total	X.±0.5		BARRIER TYPE	
fillet	X.X±0.3		scale		
X'±1"	X.XX±0.1		MM		
dr	EVAN LU	061614	dwg no		
enr	EVAN LU	061614	sheet 1 of 1		
chr	HANKE FENG	061614	size		
appd	SHI JUN	061614	A4		
sheet index			type		
revision	A	CUSTOMER Drawing			
sheet	1				