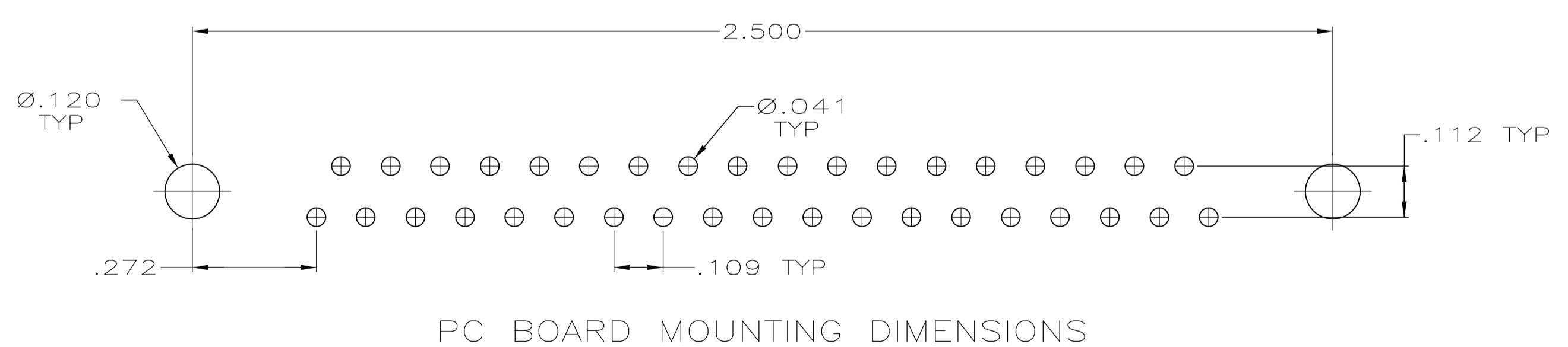
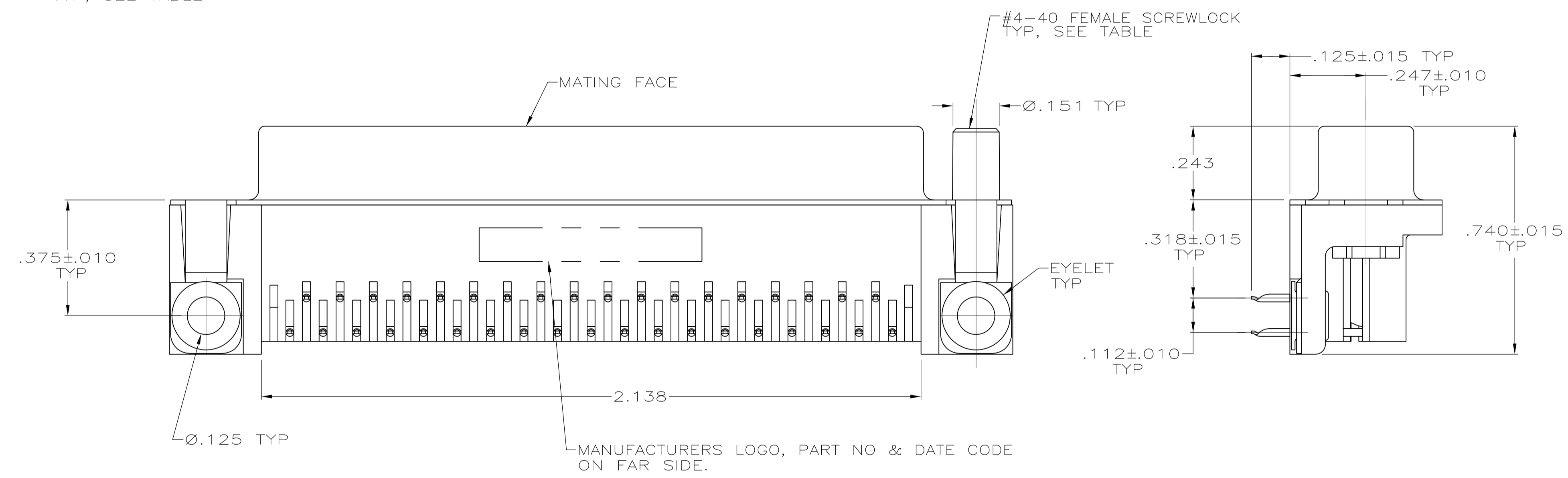


- 1 MOLDDED PARTS: FLAME RETARDANT 94V-0 RATED THERMOPLASTIC, BLACK.  
SHELL: CARBON STEEL  
CONTACTS: PHOSPHOR BRONZE  
EYELETS: BRASS  
SCREWLOCKS: ZINC  
INSERTS: ZINC
- 2 SHELL: .000100 MIN TIN OVER .000050 MIN COPPER.  
CONTACTS: .000030 MIN GOLD FOR A DISTANCE OF .100 MIN FROM MATING END, .000100 MIN TIN ON OPPOSITE END, ALL OVER .000050 MIN NICKEL.  
EYELETS: .000100 MIN TIN OVER COPPER FLASH.  
SCREWLOCKS: CLEAR CHROMATE  
INSERTS: CLEAR CHROMATE
- 3 OBSOLETE PARTS: OBSOLETE CIS STREAMLINING PER D.RENAUD/D.SINISI



3 OBSOLETE

FEMALE SCREWLOCKS	5745784-6
THREADED INSERTS	5745784-4
NONE	<del>5745784-2</del>
MOUNTING HARDWARE	PART NUMBER

**COPYRIGHT 2005  
TE CONNECTIVITY CORP  
ALL RIGHTS RESERVED**

THIS DRAWING IS A CONTROLLED DOCUMENT.		DIN A FERNANDEZ-DOCKS 04-07-05		TE Connectivity	
DIMENSIONS: INCHES		CHK S BOLASH 04-07-05		RCPT ASSY, SIZE 4, 37 POSN, RTANG, AMPLIMITE HD-20, WITH METAL SHELL, WITH OR WITHOUT SCREWLOCKS OR INSERTS	
TOLERANCES UNLESS OTHERWISE SPECIFIED:		APVD M WALMSLEY 04-07-05		NAME	
0 PLC ± -	1 PLC ± -	PRODUCT SPEC		108-40025	
2 PLC ± -	3 PLC ± .005	APPLICATION SPEC		114-40010	
4 PLC ± -	ANGLES ± °	SIZE		CAGE CODE DRAWING NO	
MATERIAL 1	FINISH 2	WEIGHT		A1 00779 C=5745784	
CUSTOMER DRAWING		SCALE 4:1		SHEET 1 of 1 REV P	