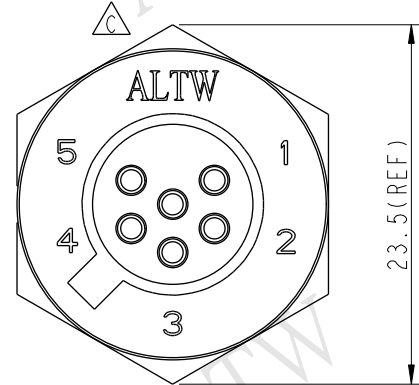
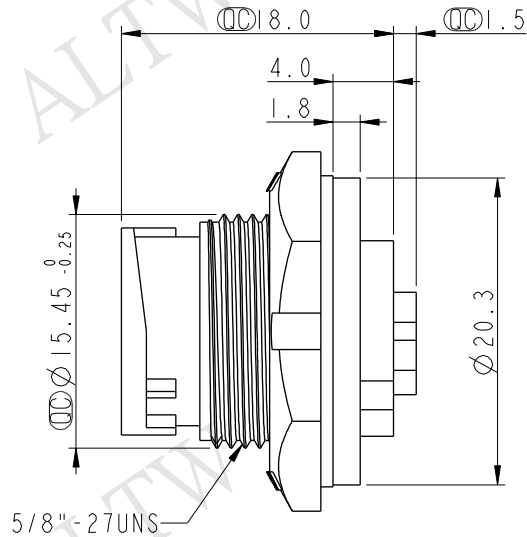
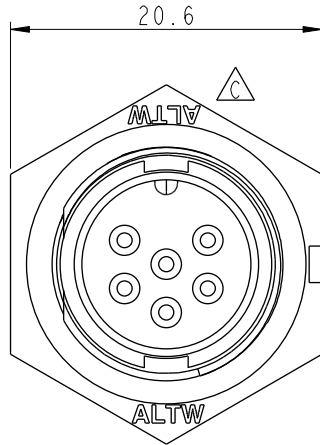


REV.	ECN NO.	DATE	SIGN	DESCRIPTION
B	LEN-8B0390	2008/09/17	Shin	Add Note
C	LEN1530179	2014/12/24	Ruru	Change Logo

ALTW  
CONFIDENTIAL  
2014-12-24  
R&D DEPT.

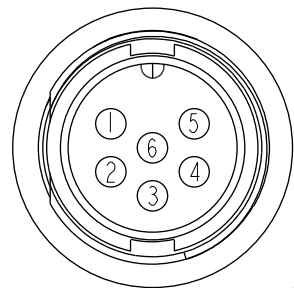
ALTW  
DCC. DEPT.  
CONFIDENTIAL  
2015.03.17  
ISSUED



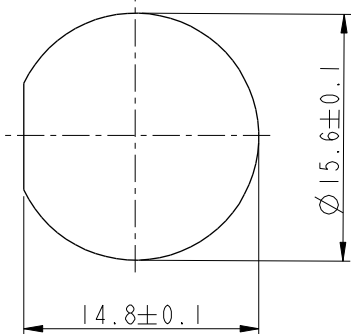
Note:

- \*  $\text{CC}$  Important Dimension To Check
- \* Waterproof Rate: IP67
- \* Housing: Nylon+GF, Black
- \* Pin: Copper Alloy, Gold Plated
- \* Nut: Nylon+GF, Black
- \* Gasket: EPDM, Black

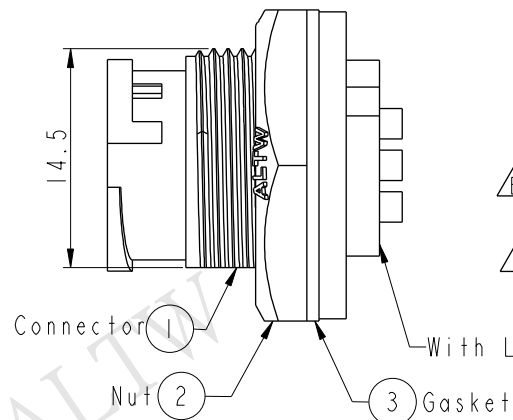
- $\triangle B$  \* Use With Waterproof Cap Or Dust Cap  
Panel Thickness Max: 3.0mm
- $\triangle B$  \* Use Without Waterproof Cap Or Dust Cap  
Panel Thickness Max: 4.5mm



Pin Assignments  
Front View



Recommended Panel Cut-out



UNIT: mm		
TOLERANCE		
.X	±0.25	
.XX	±0.1	
.XXX	±0.05	
ANGLES	±1°	

TITLE Standard Panel Lock 6Pin M Conn M Pin			
SCALE 2:1	SIZE A4	SHEET 1 OF 1	
REV. C	WC-REV. A.2	$\text{CC}$ : Inspection item	

**Amphenol LTW**  
安費諾亮泰企業股份有限公司

ITEM NO. BD-06PMMS-LC7001	DRAWN BY Ruru	DATE 2014-12-17
DWG NO. BD-06PMMS-LC7001	CHECKED BY Rita	DATE 2014-12-17
CUSTOMER ALTW	APPROVED BY Win	DATE 2014-12-17

THIS DOCUMENT IS SUBJECT TO CHANGE WITHOUT NOTICE. IT IS CONFIDENTIAL AND A PROPERTY OF Amphenol LTW. DISCLOSURE TO THIRD PARTY HAS TO BE AUTHORIZED BY Amphenol LTW.