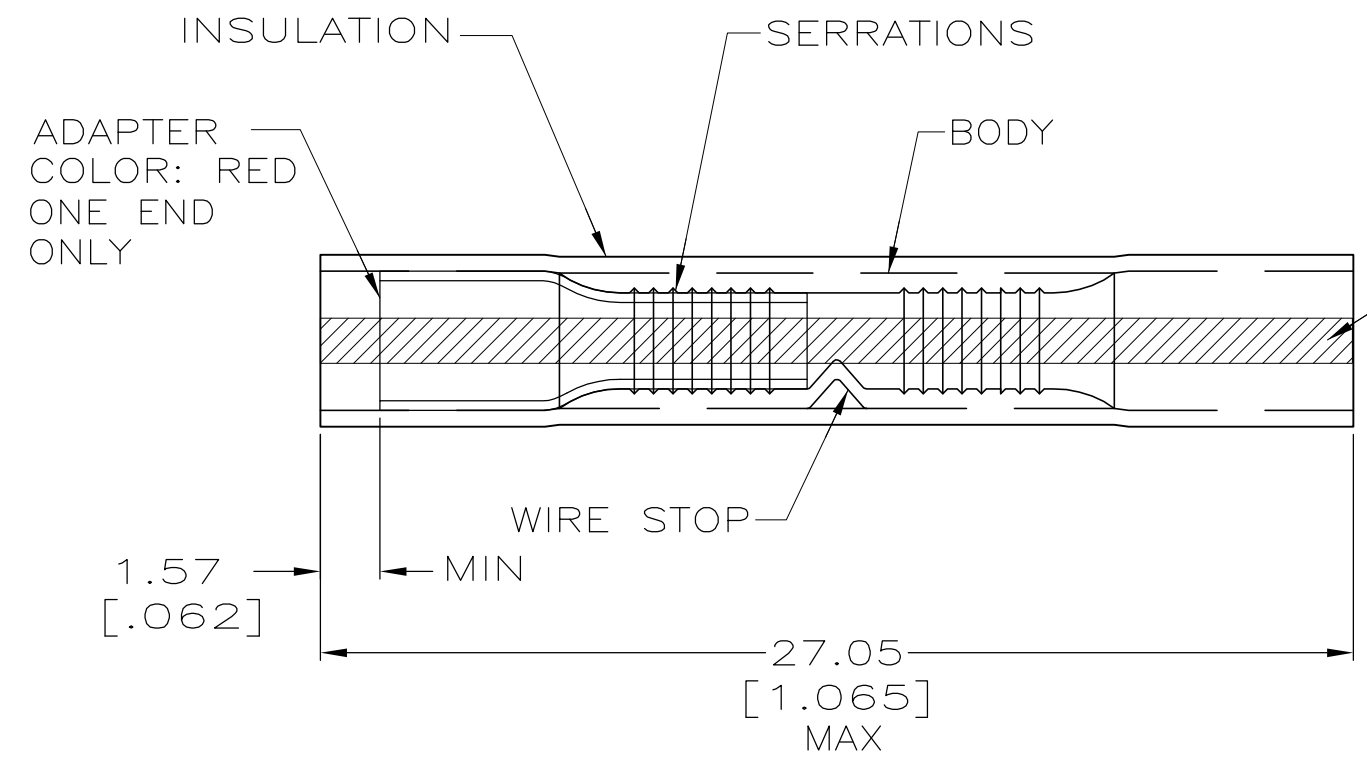


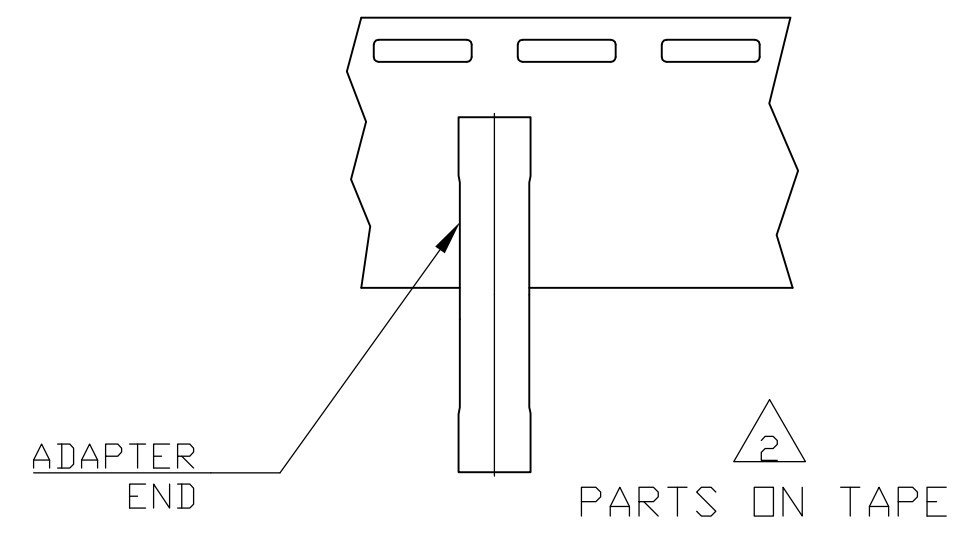
THIS DRAWING IS UNPUBLISHED. RELEASED FOR PUBLICATION
 © COPYRIGHT BY TYCO ELECTRONICS CORPORATION. ALL RIGHTS RESERVED.

LOC	DIST	REVISIONS					
G	14	P	LTR	DESCRIPTION	DATE	DWN	APVD
			B	REV PER ECR 10-003056	15FEB10	JR	TM

1. WIRE INSUL DIA, 2.92-4.32 [.115-.170]
 WIRE INSUL DIA, 1.27-2.92 [.050-.115]
- △ 2 TAPE APPLIED TO PART SUCH THAT
 ADAPTER END IS NOT CRIMPED IN APPLICATOR
3. PARTS MANUFACTURED AFTER MAY 2005 ARE
 ROHS COMPLIANT.



2 STRIPES
 COLOR: BLUE
 180° APART



△ 2	2500	ON TAPE, REEL	BODY: COPPER PER ASTM B-152 TIN PL 0.00254 [.000100] MIN THK PER MIL-T-10727	696010-2
	1000	LOOSE PIECE	INSULATION: VINYL COLOR: TRANSPARENT	696010-1
	QTY	PACKAGE TYPE	MATERIAL & FINISH	PART NO

THIS DRAWING IS A CONTROLLED DOCUMENT.		DWN M ELLIS 27JUN97	Tyco Electronics Corporation Harrisburg, Pa 17105-3608	
DIMENSIONS: mm [INCHES]		CHK S BORTNER 27JUN97	NAME SPLICE, BUTT, PLASTI-GRIP	
TOLERANCES UNLESS OTHERWISE SPECIFIED:		APVD C FOX 27JUN97	WIRE SIZE: 22-18 TO 16-14 AWG	
0 PLC ± -		PRODUCT SPEC	SIZE	
1 PLC ± -		APPLICATION SPEC	CAGE CODE	
2 PLC ± -		WEIGHT	DRAWING NO	
3 PLC ± -			RESTRICTED TO	
4 PLC ± -			A3 00779 C-696010	
ANGLES ± -			SCALE 5:1	
FINISH			SHEET 1 OF 1	
MATERIAL			REV B	
		CUSTOMER DRAWING		