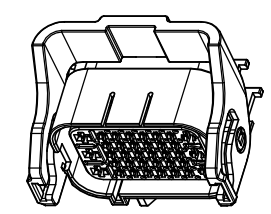
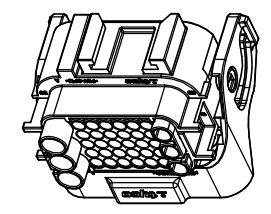
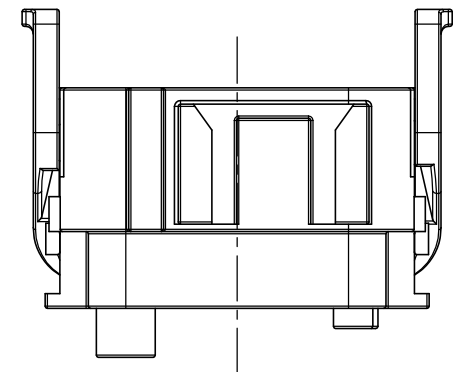
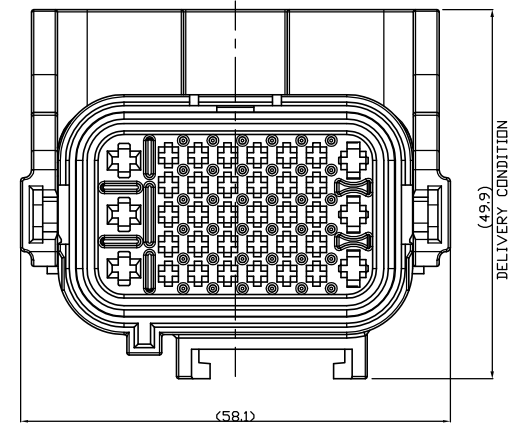
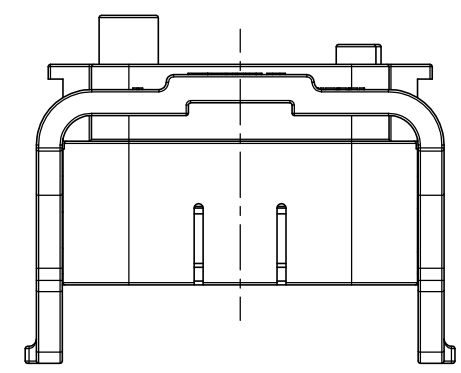


TYPE B (DELPHI CLIP MOUNTINT TYPE)  
 1-1743632-2



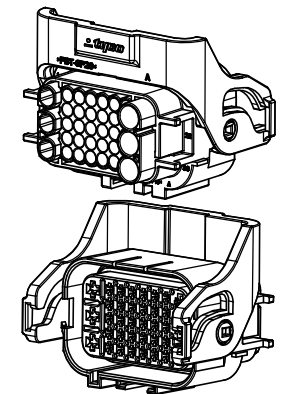
1-1743632-2

LOC	DIST	REVISIONS					
DS	-	#	LTR	DESCRIPTION	DATE	DWN	APVD
		A		RELEASED	07.FEB.'06	CH	JK
		B		REVISED (ECR-08-008035)	01.APR.'08	KT	HG
		C		REVISED (ECR-08-026355)	20.DCT.'08	KT	HG
		D		REVISED (ECR-10-007521)	29.JUN.'10	KT	HG

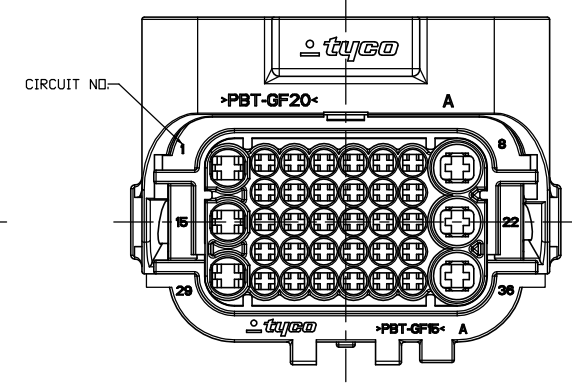
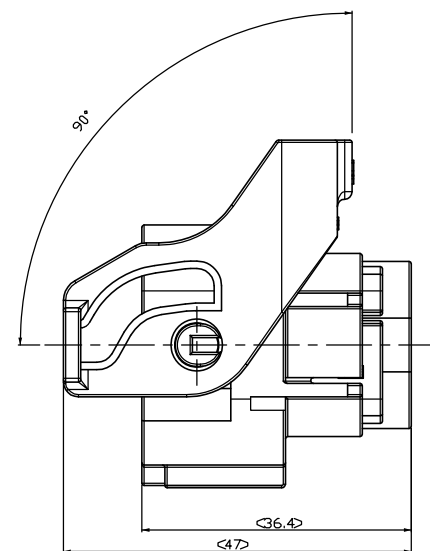
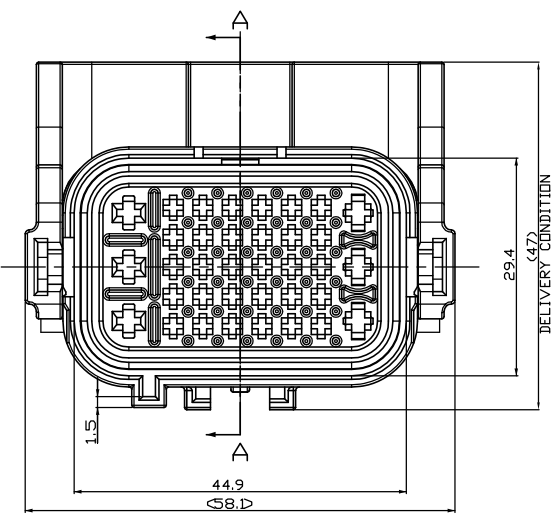


<TABLE 1>

TYPE	PART NO.	WIRE SIZE(mmφ)	Insulation DIA(mm)	Applicable WIRE	FINISH
MTII	0-962875-1	0.2~0.5	1.2~1.6	AVSSXF 0.5 Max	CuSn4
	0-962875-3				CuSn4(GOLD)
	0-962876-1	0.5~1.0	1.4~2.1	AVSSXF 0.85 Max	CuSn4
JPT	0-927770-3	0.5~1.0	2.0~2.7	FLK 1.0 Max	CuSn4
	2-927770-1				CuSn4(GOLD)
	0-927766-3	1.5~2.5	2.7~3.0	AVSS 2.0 Max or FLR 2.5 Max	CuSn4
MCP	2-927766-1	2.5~4.0	3.0~3.7	AEXF 3.0 Max or FLR 4.0 Max	CuSn4(GOLD)
	1-968859-1				CuNiSi



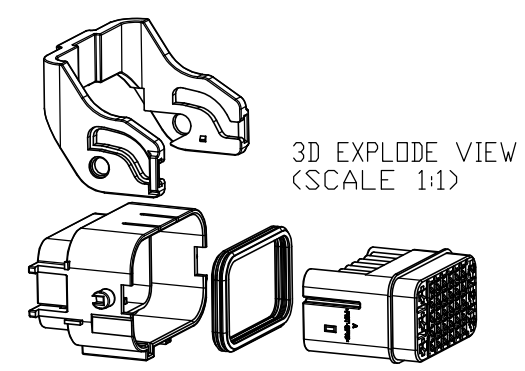
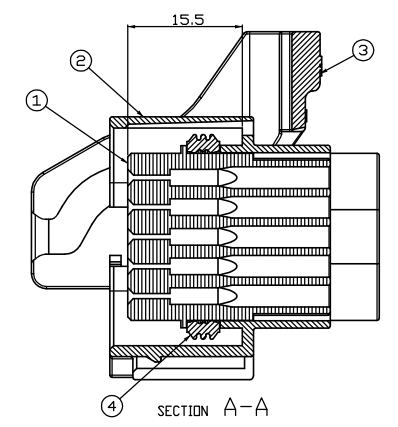
ISOMETRIC VIEW



<TABLE 2>

TYPE	WIRE SIZE(mmφ)	PART NO.	WIRE INSULATION DIAMETER(mm)	COLOR
MTII	0.35~0.5	964971-1	1.2~1.6	RED
	0.5~0.75	963530-1	1.4~1.9	GRAY
	1.0	964972-1	1.9~2.1	YELLOW
JPT	0.35~1.0	828904-2	1.2~2.1	BLUE
	1.5~2.5	828905-1	2.2~3.0	WHITE
		828922-1	CAVITY PLUG	NATURAL
MCP	2.5~4.0	828985-1	3.0~3.7	GREEN
		828986-1	CAVITY PLUG	BROWN

- NOTE  
 1. GENERAL TOLERANCE: ±0.3, ±3°  
 2. DELIVERY CONDITION  
 3. APPLIED CAP P/NX-1743636-X  
 4. APPLIED WIRE COVER P/NX-1743637-X  
 5. APPLICABLE RECEPTACLE CONTACT P/N/TABLE 1  
 6. APPLICABLE WIRE SEAL P/N/TABLE 2



3D EXPLODE VIEW (SCALE 1:1)

NO	QTY	REVISION	MATERIAL	DESCRIPTION	ASSY P/N
4	1	RED	SILICONE	INNER SEAL	1-1743632-2
3	1	GRAY	PBT-GF20	LEVER	1743632-2
2	1	BLACK	PBT-GF15	MAIN PLUGTYPE B	
2	1	BLACK	PBT-GF15	MAIN PLUG	
1	1	BLACK	PBT-GF15	FRONT PLUG	
1	1	BLACK	PBT-GF15	FRONT PLUG	
NO		COLOR	MATERIAL	DESCRIPTION	Q'TY

Tyco Electronics  
 Kyungsan, Korea

NAME: PLUG ASS'Y FOR MTII/JPT/MCP SEALED 36P CONN'R

SIZE: 00779 C=1743632

CUSTOMER DRAWING

SCALE 2/1 SHEET 1 OF 1 REV D