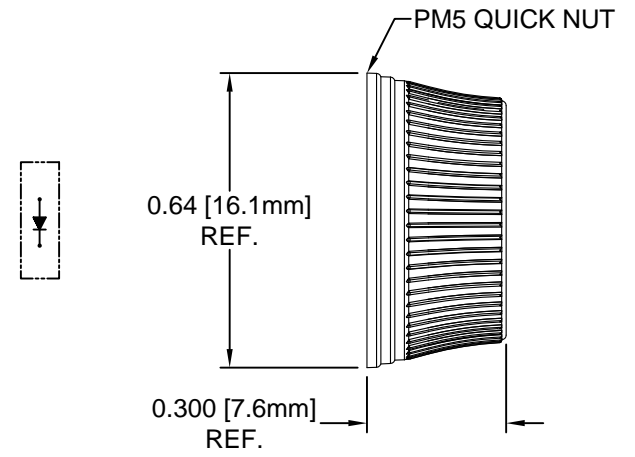
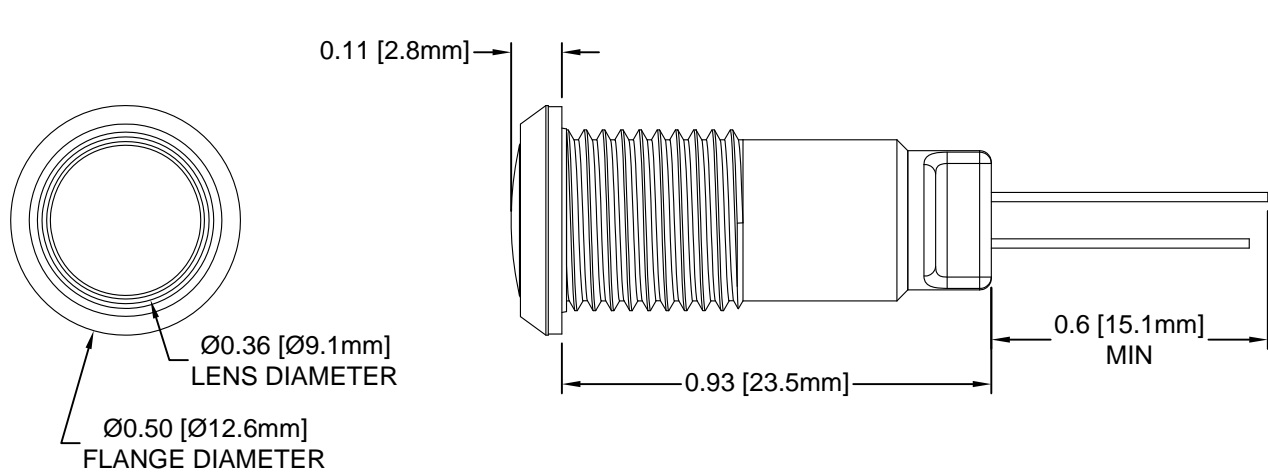
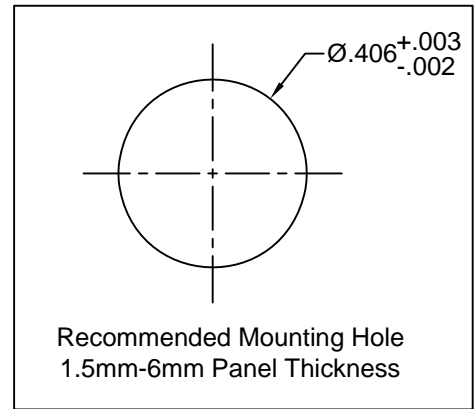
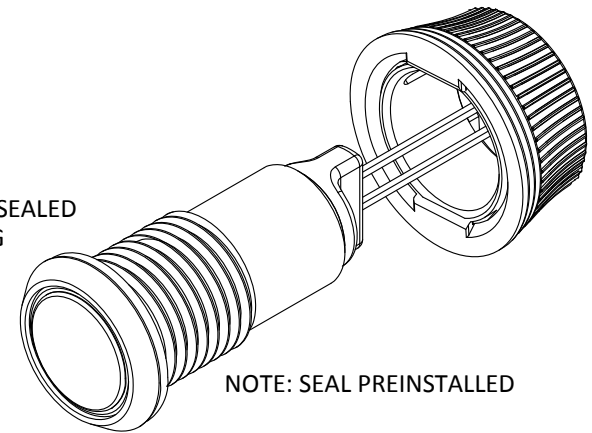


REV.	DESCRIPTION	DATE	APPROVED
A	Engineering Release.	04/29/14	J. C.
B	Updated Lead Dimension.	09/19/14	J. C.
C	Corrected Typo on Page 2.	09/24/14	J. C.
D	Updated LED Optical Characteristics.	09/15/15	J. C.



NOTE: QUICK NUT  
INSERT PREINSTALLED

NOTE: LENS SEALED  
TO HOUSING



EXAMPLE:  
PM5-KNGD

LED Color  
Series

NOTES:  
1. ROHS COMPLIANT  
2. MOUNTING HARDWARE SHIPPED NON-ASSEMBLED

STANDARD TOLERANCE (UNLESS OTHERWISE SPECIFIED)		 4 THOMAS, IRVINE, CA. 92618 TEL: (949) 951-8808 FAX: (949) 951-3974	
DECIMALS	ANGULAR		
.X ± .1	X° ± 1°	 <b>TITLE:</b> Quick-Mount Panel Mount Indicator	
.XX ± .02			
.XXX ± .010		<b>PART NO:</b> PM5-KNXXX	
DESIGNED: <b>Alex Wright</b>	DATE: <b>03/24/14</b>	<b>REVISION:</b> D	
CHECKED: <b>Brian Oliver</b>	DATE: <b>03/24/14</b>	<b>CAGE CODE :</b> 32559 <b>SHEET #</b> 1 OF 2	
CAD GENERATED DOCUMENT. DO NOT MEASURE DRAWING.			


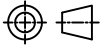
REV.	DESCRIPTION	DATE	APPROVED
	SEE SHEET #1		

Assembly Part Number	LED Part Number	Peak Wave Length $\lambda_p$ (nm)	Emitted Color	Electro-Optical Data @ 20mA		Viewing Angle
				Typ Vf (VDC)	Assembly Iv (mcd)	
				TYP	TYP	
<b>PM5-KNAD</b>	5AD	605	AMBER	2.0	9	120
<b>PM5-KNBWD</b>	5BWD0.345	430	BLUE	3.2	350	120
<b>PM5-KNGD</b>	5SGD	568	GREEN	2.1	11	120
<b>PM5-KNRD</b>	5SRD	645	RED	1.7	14	120
<b>PM5-KNYD</b>	5SYD	590	YELLOW	2.0	105	120

Assembly Part Number	LED Part Number	Color Temperature	Emitted Color	Electro-Optical Data @ 20mA		Viewing Angle
				Typ Vf (VDC)	Assembly Iv (mcd)	
				TYP	TYP	
<b>PM5-KNWD</b>	5UWD0.660N	5000K	NEUTRAL WHITE	3.2	394	120

## ABSOLUTE MAXIMUM RATINGS (Ta = 25°C)

MAXIMUM REVERSE VOLTAGE \_\_\_\_\_ 5V  
 MAXIMUM POWER DISSIPATION \_\_\_\_\_ 150 mW  
 OPERATING TEMPERATURE RANGE \_\_\_\_\_ -30°C ~ 85°C  
 STORAGE TEMPERATURE \_\_\_\_\_ -40°C ~ 85°C

STANDARD TOLERANCE (UNLESS OTHERWISE SPECIFIED) DECIMALS                      ANGULAR		 4 THOMAS, IRVINE, CA. 92618 TEL: (949) 951-8808    FAX: (949) 951-3974		
				<b>TITLE:</b> Quick-Mount Panel Mount Indicator
DESIGNED: <b>Alex Wright</b>	DATE: <b>03/24/14</b>	<b>PART NO:</b> PM5-KNXXX		REVISION: <b>D</b>
CHECKED: <b>Brian Oliver</b>	DATE: <b>03/24/14</b>	<b>CAGE CODE : 32559</b>	<b>SHEET # 2 OF 2</b>	
CAD GENERATED DOCUMENT. DO NOT MEASURE DRAWING.				