

C. Westerb 5-26-92
 APPROVED BY/DATE
 1
 REV

SAFETY ORGANIZATION(S):

THIS FILTER HAS BEEN FORMALLY RECOGNIZED, CERTIFIED OR APPROVED BY THE LISTED AGENCY. THEREFORE, ALL TEST/REQUIREMENTS SPECIFIED IN THE LATEST REVISION OF THE FOLLOWING AGENCY STANDARDS HAVE BEEN MET:

UL RECOGNIZED
 CSA CERTIFIED
 VDE APPROVED (PENDING)

UL 1283
 CSA 22.2, NO. 0, 0.4, 8
 VDE 565-3

OPERATING SPECIFICATIONS:

LINE VOLTAGE/CURRENT:
 6 AMP., 120/250 VAC
 6 AMP./40°C, 250 VAC
 50-60Hz

LINE FREQUENCY:

MAX. LEAKAGE CURRENT, EACH
 LINE TO GROUND
 .50 mA @ 120V 60 Hz
 .83 mA @ 250V 50 Hz

OPERATING AMBIENT TEMP. RANGE:

-10°C TO +40°C @ RATED CURRENT, I_r

IN AN AMBIENT, T_a , HIGHER THAN 40°C, THE MAXIMUM OPERATING CURRENT, I_o , IS AS FOLLOWS:

$$I_o = I_r \sqrt{\frac{85-T_a}{45}}$$

RELIABILITY SPECIFICATIONS:

STORAGE TEMPERATURE:
 -40°C TO +85°C

HUMIDITY:
 21 DAYS @ 40°C 95% RH

CURRENT OVERLOAD TEST:
 6 TIMES RATED CURRENT FOR 8 SECONDS

TEST SPECIFICATIONS:

INDUCTANCE:
 .516 mH NOMINAL

CAPACITANCE: (MEASURED @ 1 KHz, 0.25 VAC MAX., 25°C ±1°C)
 LINE TO GROUND: .0055µF ±20%
 LINE TO LINE: 1.08µF ±20%

DISCHARGE RESISTOR
 330KΩ

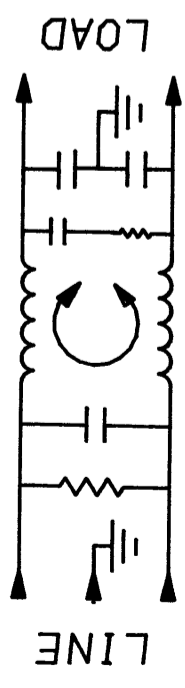
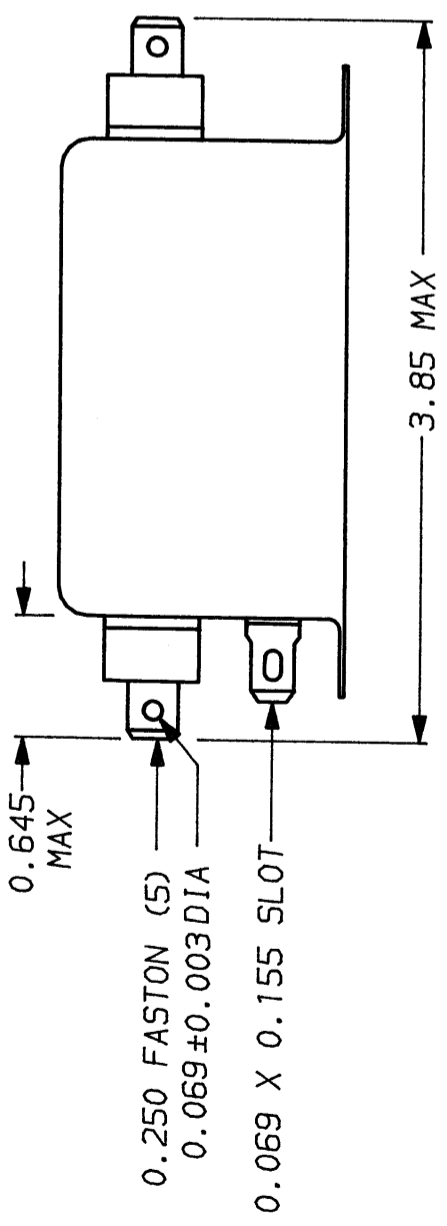
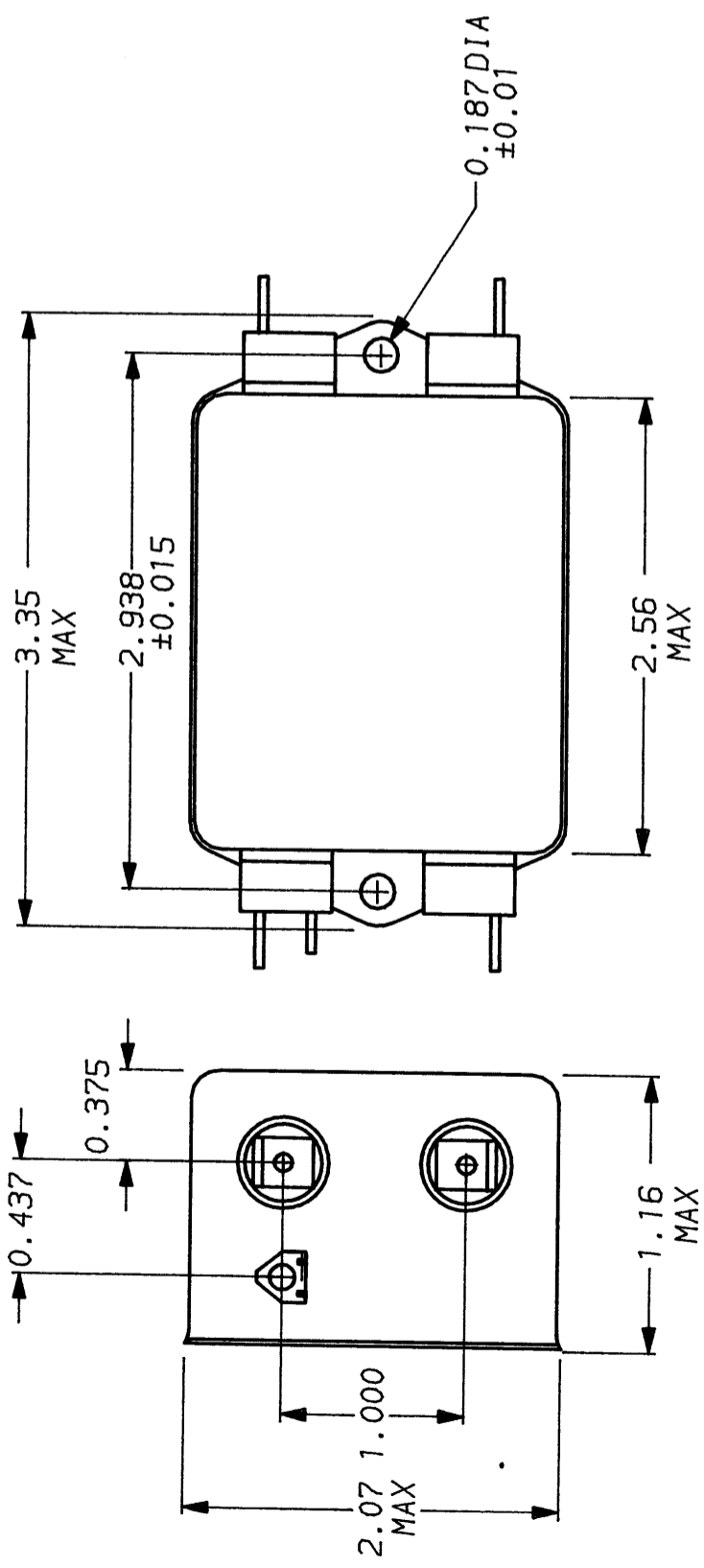
LINE/GROUND AND LINE/LINE
 INSULATION RESISTANCE
 6000 MΩ (MIN) AT 100 VDC
 20°C AND 50% RH

RECOMMENDED RECEIVING INSPECTION HIPOT:

LINES TO GROUND: 2250 VDC FOR 1 MINUTE
LINE TO LINE: 1450 VDC FOR 1 MINUTE

FILTER APPROVAL:

THE BEST WAY TO SELECT AND QUALIFY A FILTER IS FOR YOUR ENGINEERING TO TEST THE UNIT IN YOUR EQUIPMENT.



FREQUENCY MHz	50Ω - 50Ω (MINIMUM) INSERTION LOSS									
	.15	.5	1	2	5	10	20	30		
COMMON dB	10	22	31	38	45	50	52	52		
DIFF. dB	20	49	60	60	65	61	61	61		

This document is proprietary to CORCOM INC. and is not to be reproduced nor used for manufacturing purposes except on CORCOM's order or prior written consent.

CORCOM
 LIBERTYVILLE, IL 60048

POWER LINE FILTER

SCALE: DATE: DRG. NO. REV.
 NTS 11-5-90
 DRW. BY: ORIGINATOR: CFW
 CFW

6VDK1.01