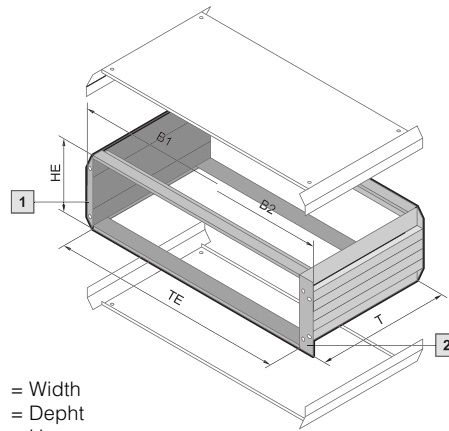


# INSTRUMENT CASES/SYSTEM ENCLOSURES

## Ripac VARIO-MODULE



### Ripac Vario-Module 3 U, EMC



**EMC**

B = Width  
T = Depth  
HE = U  
TE = HP

#### Technical specifications:

May be used as a rack-mount enclosure or instrument case. External dimensions to IEC 60 297-1 for installation in 482.6 mm (19") racks. Installation dimensions for board type plug-in assemblies to IEC 60 297-3-101.

#### Material/Surface finish:

Side panels: Extruded aluminum section, spray-finished in RAL 7035  
Horizontal rails: Extruded aluminum section, clear-chromated  
Corner trims: Die-cast zinc, spray-finished in RAL 7035

#### Side trims:

Extruded aluminum section, spray-finished in RAL 7035  
Contact points: Conductive

#### Protection category:

IP 40 for non-vented version.

#### Supply includes:

2 side panels,  
4 horizontal rails,  
4 threaded inserts,

2 rear corner trims, assembly parts.

**1** Equipped as an instrument case

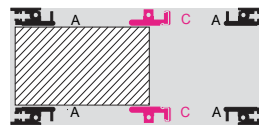
**2** Equipped as a rack-mount unit

#### Note:

Corner trims, mounting flanges and top and bottom covers must be ordered separately.

#### Horizontal rail configuration

Horizontal rails for further configuration must be ordered separately, see page 100 – 101.



3 U

Ripac Vario-Module	Packs of	3 U							Page
Installation width (TE)		42	42	63	63	84	84	84	
Width (B1) mm		235.6	235.6	342.3	342.3	449.0	449.0	449.0	
Width (B2) mm		251.6	251.6	358.3	358.3	465.1	465.1	465.1	
Depth (T) mm		250.4	310.4	250.4	310.4	250.4	310.4	370.4	
<b>Order No. VM Basic enclosure EMC</b>	<b>1</b>	<b>3983.040</b>	<b>3983.070</b>	<b>3983.050</b>	<b>3983.080</b>	<b>3983.060</b>	<b>3983.090</b>	<b>3983.100</b>	
<b>Also required</b>									
EMC top covers – with vent holes	1	3981.941	3981.951	3981.942	3981.952	3981.940	3981.950	3981.960	77
– without vent holes	1	3981.901	3981.911	3981.902	3981.912	3981.900	3981.910	3981.920	77
EMC bottom covers – with vent holes	1	3981.741	3981.751	3981.742	3981.752	3981.740	3981.750	3981.760	77
– without vent holes	1	3981.701	3981.711	3981.702	3981.712	3981.700	3981.710	3981.720	77
Front corner trims for assembly as instrument case	2	3981.310	3981.310	3981.310	3981.310	3981.310	3981.310	3981.310	78
Flanges for configuration as rack-mount unit – without handle holes	2	3981.210	3981.210	3981.210	3981.210	3981.210	3981.210	3981.210	78
– with handle holes	2	3981.260	3981.260	3981.260	3981.260	3981.260	3981.260	3981.260	78
<b>EMC installation</b>									
EMC gaskets, horizontal – for upper/lower horizontal rail	1	3684.808	3684.808	3684.808	3684.808	3684.808	3684.808	3684.808	117
– between covers and horizontal rails	10	3684.245	3684.245	3684.245	3684.245	3684.245	3684.245	3684.245	117
EMC gaskets, vertical	1	3686.975	3686.975	3686.975	3686.975	3686.975	3686.975	3686.975	116
Front/rear panels EMC		see page 135 – 150							
<b>Accessories</b>									
Front/rear panels		see page 135 – 150							
Carrying handles	2	3981.350	3981.360	3981.350	3981.360	3981.350	3981.360	3981.370	78
Front handles <sup>1)</sup>	2	3636.010	3636.010	3636.010	3636.010	3636.010	3636.010	3636.010	104
Rear adjustable feet	4	3901.000	3901.000	3901.000	3901.000	3901.000	3901.000	3901.000	79

<sup>1)</sup> Only in conjunction with mounting flanges with handle holes.