

4

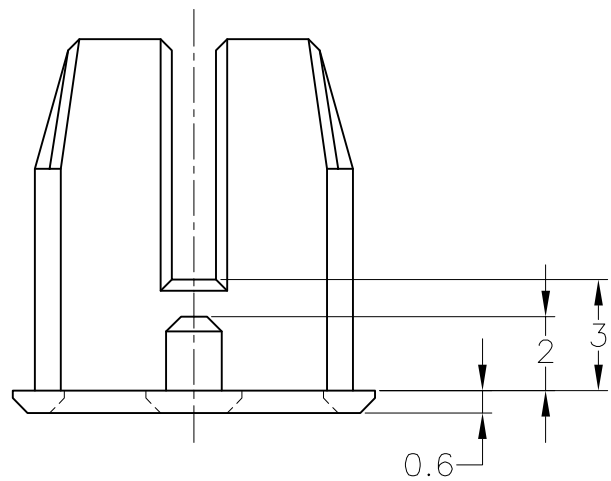
3

2

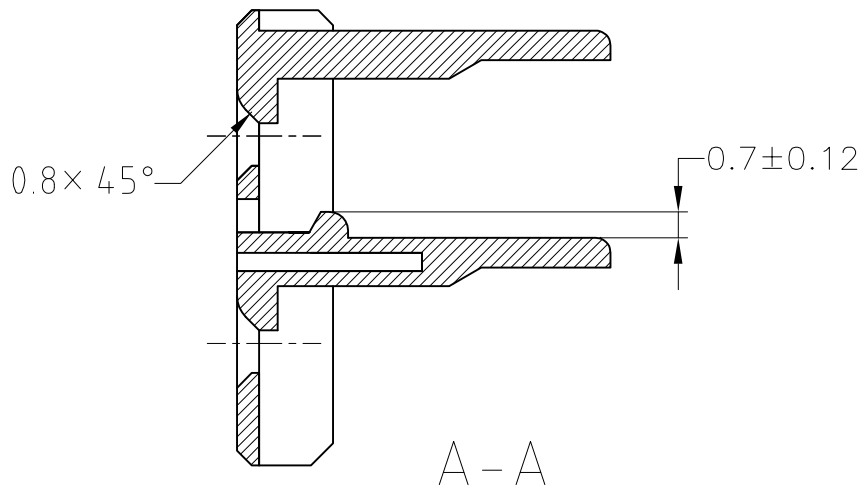
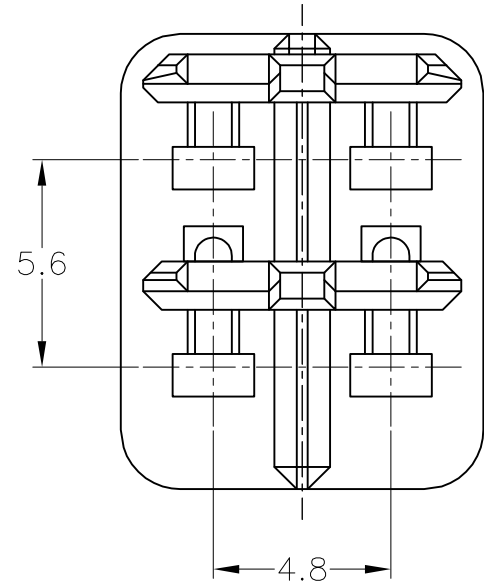
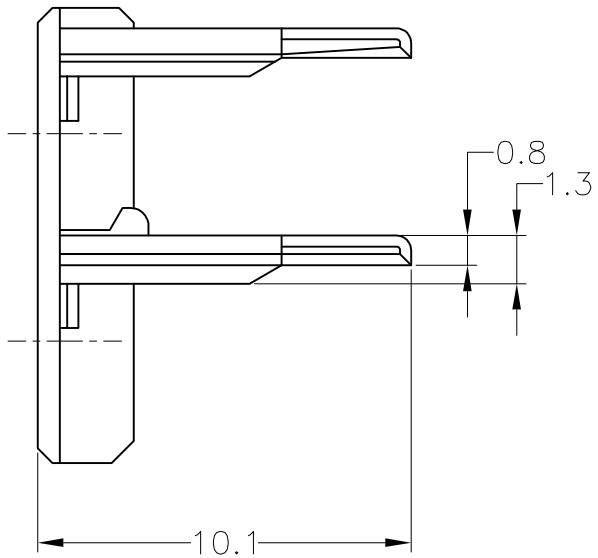
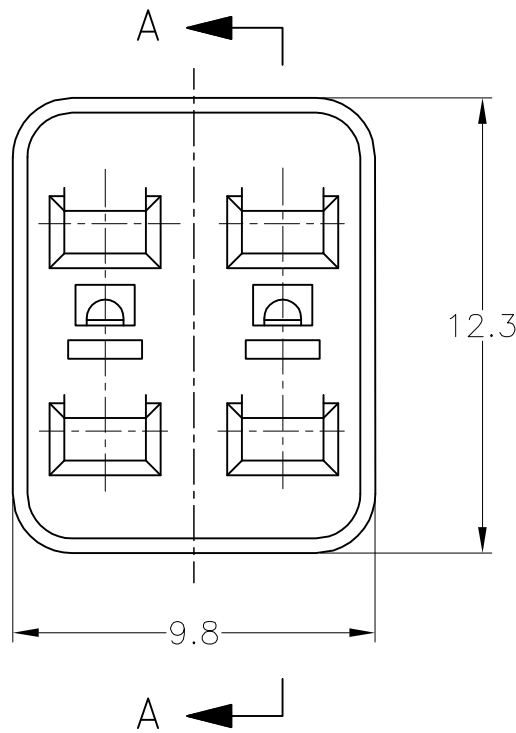
1

THIS DRAWING IS UNPUBLISHED. RELEASED FOR PUBLICATION  
 © COPYRIGHT - By - ALL RIGHTS RESERVED.

LOC	DIST	REVISIONS					
		P	LTR	DESCRIPTION	DATE	DWN	APVD
J	-	B4	REVISED	ECR-15-000191	01SEP2014	TS	KB



1. 本品はプラグハウジング型番174257に装着される  
 1. TO BE MATES WITH CAP HOUSING PART NUMBER 174257



HB	自然色 (NATURAL)	1-174258-1
V-2	黄 (YELLOW)	174258-7
使用材料難燃グレード (FLAMMABILITY OF MATERIAL)	色 (COLOR)	型番 (PART NUMBER)

THIS DRAWING IS A CONTROLLED DOCUMENT.		DWN T.SHINOHARA 01SEP10	<b>STE</b> TE Connectivity	
DIMENSIONS: mm		CHK K.BETSUI 01SEP10		
TOLERANCES UNLESS OTHERWISE SPECIFIED:		APVD K.BETSUI 01SEP10	NAME	
0 PLC ± -		PRODUCT SPEC	4POSITION ECONOSEAL J MK-II+ CONNECTOR	
1 PLC ± -		APPLICATION SPEC	DOUBLE LOCK PLATE FOR PLUG HOUSING	
2 PLC ± -		WEIGHT -	SIZE A3	CAGE CODE 00779
3 PLC ± -		CUSTOMER DRAWING	DRAWING NO C=174258	RESTRICTED TO -
4 PLC ± -			SCALE 5:1	SHEET 1 of 1
ANGLES ± -				
FINISH -				
MATERIAL SEE TABLE				

一般公差 (GENERAL TOLERANCE)
10以下 : ±0.2
10を超え 30以下 : ±0.25
30を超え 100以下 : ±0.3
角 度 : ±3°