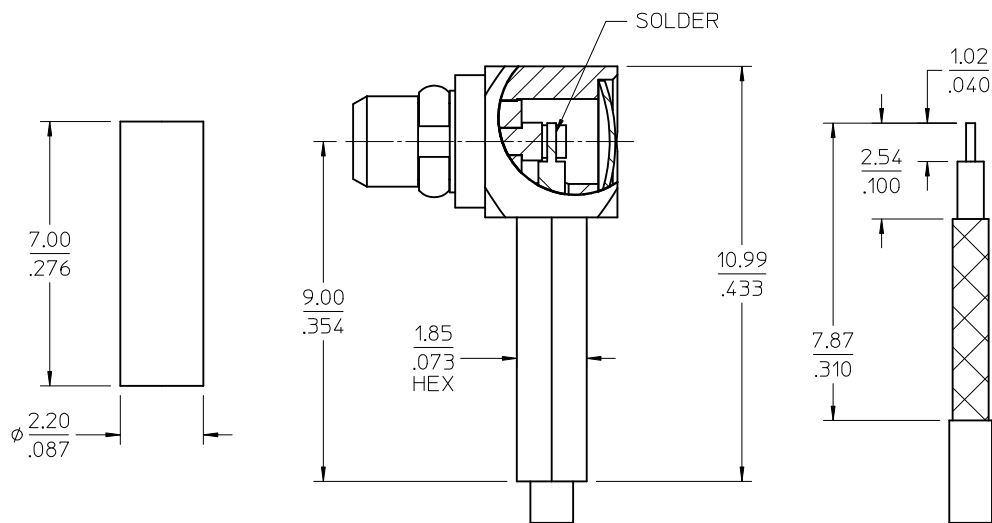
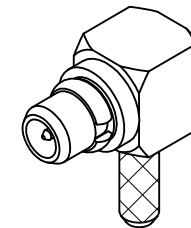
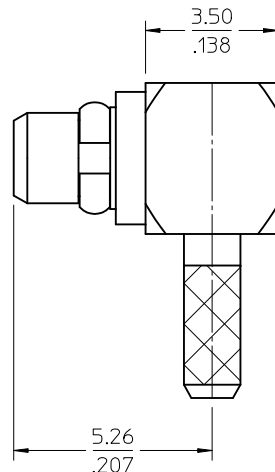
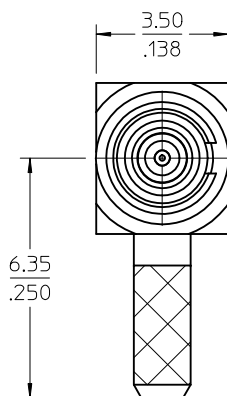


MATERIALS AND FINISHES

BODY, CONTACT, CAP, CRIMP TUBE: BRASS  
PLATED GOLD

INSULATOR: TEFLON

SNAP RING: BERYLLIUM COPPER  
PLATED GOLD



PS-89675-1920	PRODUCT SPECIFICATION
CECC-22-340	INTERFACE
SPECIFICATION	DESCRIPTION

73415-2263	COMMERCIAL REQS	HIGH PERFOR.	BULK
73415-2262	COMMERCIAL REQS	STANDARD	SINGLE BAG
73415-2261	COMMERCIAL REQS	STANDARD	BULK
73415-2260	MILITARY REQS	STANDARD	BULK
PART NO.	FINISH	PERFORMANCE	PACKAGING

CHG: ADDED DIMS

EC NO: URF2012-0333  
 DRW: BOMALLEY 2011/12/13  
 CHK: SSS 2011/12/13  
 APPR: JW IENER 2011/12/14

QUALITY SYMBOLS  
 ▽=0  
 ▽=0

GENERAL TOLERANCES (UNLESS SPECIFIED)

	mm	INCH
4 PLACES	± .005	± .0002
3 PLACES	± .003	± .0001
2 PLACES	± .002	± .00008
1 PLACE	± .001	± .00004

ANGULAR ± 2 °

DRAFT WHERE APPLICABLE  
MUST REMAIN WITHIN DIMENSIONS

DIMENSION STYLE  
MM/IN

DRAWN BY: AROBERTSON DATE: 2011/04/04  
 CHECKED BY: SSS DATE: 2011/04/04  
 APPROVED BY: JW IENER DATE: 2011/04/15

MATERIAL NO. SEE TABLE

SCALE: DESIGN UNITS: METRIC

THIRD ANGLE PROJECTION

TITLE: MMCX PLUG RA  
50 OHM FOR 1.13/132 CAB  
MMCX-PC/RA

MOLEX MOLEX INCORPORATED

DOCUMENT NO. SD-73415-226 SHEET NO. 1 OF 1

THIS DRAWING CONTAINS INFORMATION THAT IS PROPRIETARY TO MOLEX INCORPORATED AND SHOULD NOT BE USED WITHOUT WRITTEN PERMISSION